

 **GEKA**®



- Advantage / benefit:..... **operating pressure up to max. 40 bar, corresponds to more than double the operating pressure in comparison with the common claw couplings according to GEKA® system**
- Material:.....brass CW617N
- Claw distance:.....uniform 40 mm, multiple combinations possible
compatible with all other GEKA® and GEKA® plus versions
- Vacuum resistance:.....up to 10 m water column (WS)
- Temperature range:approx. -5 °C to +100 °C (depending on the seal ring quality)
- Seal:.....as standard with **GEKA® plus shaped seal 300C, patented**, temperature range of approx. -10 °C to +90 °C
- Options:.....on request GEKA® plus shaped seal (300E), patented, available in the qualities EPDM (300E) and FKM (300V) as well as dirt filters, available for self-assembly
- Area of application:.....water, industrial, suction and pressure hoses



GEKA® plus hose pieces

Grommet with striking and hose protecting ribbed profile guarantees fixed hose fit. For clamps and ferrules

Hose ID mm	10	13	16	19	25	32	38
Hose size	3/8"	1/2"	5/8"	3/4"	1"	1 1/4"	1 1/2"
PU units	10	10	10	10	10	10	10
Covering box units	160	150	160	120	100	100	60
Item no.	04.0100	04.0101	04.0102	04.0103	04.0104	04.0106	04.0107



GEKA® plus threaded fittings with female thread

NBR flat seal ring on the threaded side

Female thread in mm	11.89	15.39	19.17	24.66	30.93	39.59	45.48
Female thread	G1/4	G3/8	G1/2	G3/4	G1	G1 1/4	G1 1/2
PU units	10	10	10	10	10	10	10
Covering box units	240	150	160	160	140	100	90
Item no.	04.1108	04.1109	04.1110	04.1111	04.1113	04.1114	04.1116



GEKA® plus threaded fittings with male thread

Male thread in mm	13.16	16.66	20.95	26.44	33.25	41.91	47.80
Male thread	G1/4	G3/8	G1/2	G3/4	G1	G1 1/4	G1 1/2
PU units	10	10	10	10	10	10	10
Covering box units	170	180	180	170	160	130	110
Item no.	04.2119	04.2109	04.2110	04.2111	04.2113	04.2114	04.2116



GEKA® plus dummy coupling

With bore for chain fastening

PU units	10
Covering box units	240
Item no.	04.3118



GEKA® plus chain

Material: steel, galvanised

For all GEKA® plus dummy couplings with bore

Approx. length in mm	270
PU units	25
Item no.	61.6620

Material:.....brass
 Claw distance:.....uniform 40 mm. Multiple combinations possible and can be used with all GEKA® plus versions
 Operating pressure:**max. 10 bar**
 Temperature range:approx. -5 °C to +100 °C (depending on the seal ring quality)
 Seal:as standard with GEKA® shaped seal ring 200C, temperature range of approx. -10 °C to +90 °C
 Options:on request GEKA® shaped seal 120C in the qualities NBR form 120, FKM form 200 (200V) as well as dirt filters, available for self-assembly

1

GEKA® hose pieces

Grommet with raised end rib and hose protecting ribbed profile

Hose ID mm	10	13	16	19	25	32	38
Hose size	3/8"	1/2"	5/8"	3/4"	1"	1 1/4"	1 1/2"
PU units	10	10	10	10	10	10	10
Covering box units	200	200	180	160	130	90	70
Item no.	08.0100	08.0101	08.0102	08.0103	08.0104	08.0106	08.0107



GEKA® threaded fittings with female thread

NBR flat seal ring on the threaded side

Female thread in mm	11.89	15.39	19.17	24.66	30.93	39.59	45.48
Female thread	G1/4	G3/8	G1/2	G3/4	G1	G1 1/4	G1 1/2
PU units	10	10	10	10	10	10	10
Covering box units	240	230	210	200	170	120	120
Item no.	08.1108	08.1109	08.1110	08.1111	08.1113	08.1114	08.1116



GEKA® threaded fittings with male thread

Male thread in mm	13.16	16.66	20.95	26.44	33.25	41.91	47.80
Male thread	G1/4	G3/8	G1/2	G3/4	G1	G1 1/4	G1 1/2
PU units	10	10	10	10	10	10	10
Covering box units	240	230	220	230	190	170	140
Item no.	08.2119	08.2109	08.2110	08.2111	08.2113	08.2114	08.2116



GEKA® dummy coupling

With bore for chain fastening

PU units	10
Covering box units	230
Item no.	08.3118



GEKA® plus quick couplings K for drinking water



1

- Advantage / benefit:..... **complies with the German drinking water ordinance:**
with DVGW type examination certificate, **registration number DW-0310BT0218**
- Material:.....brass CW617N and DIN 50930/6, BWGL metallic materials in contact with drinking water
- Claw distance:.....uniform 40 mm, multiple combinations possible with all other GEKA® versions
- Operating pressure:.....**max. 40 bar.** Corresponds to more than double the operating pressure in comparison with the common claw couplings according to GEKA® system
- Vacuum resistance:.....up to 10 m water column (WS)
- Temperature range:.....approx. -5 °C to +100 °C (depending on the seal ring quality)
- Seal:.....as standard with **GEKA® plus shaped seal K 300D, for drinking water, with KTW BWGL approval i.a.w. DIN EN 16421**, temperature range of approx. -10 °C to +90 °C
- Options:.....Dirt strainers available for self-assembly on request
- Area of application:.....**at public events, such as fairs, outdoor events, etc.**



GEKA® plus hose pieces K

Grommet with striking and hose protecting ribbed profile guarantees fixed hose fit. For clamps and ferrules

Hose ID mm	10	13	16	19	25	32	38
Hose size	3/8"	1/2"	5/8"	3/4"	1"	1 1/4"	1 1/2"
PU units	10	10	10	10	10	10	5
Covering box units	160	150	130	120	100	70	60
Item no.	02.0100	02.0101	02.0102	02.0103	02.0104	02.0106	02.0107



GEKA® plus threaded fittings K with female thread

EPDM flat seal ring on the threaded side. KTW approval i.a.w. D2 and test certificate DVGW W270

Female thread in mm	15.39	19.17	24.66	30.93	39.59	45.48
Female thread	G3/8	G1/2	G3/4	G1	G1 1/4	G1 1/2
PU units	10	10	10	10	10	10
Covering box units	180	160	160	140	100	120
Item no.	02.1109	02.1110	02.1111	02.1113	02.1114	02.1116



GEKA® plus threaded fittings K with male thread

Male thread in mm	16.66	20.95	26.44	33.25	41.91	47.80
Male thread	G3/8	G1/2	G3/4	G1	G1 1/4	G1 1/2
PU units	10	10	10	10	10	10
Covering box units	180	180	170	160	130	110
Item no.	02.2109	02.2110	02.2111	02.2113	02.2114	02.2116



GEKA® plus dummy coupling K

With bore for chain fastening

PU units	10
Covering box units	180
Item no.	02.3118

Special note: Brass is not suitable for all detergents and cleaning agents. In special cases GEKA® plus couplings made of stainless steel must be used.



GEKA® plus quick couplings E *stainless steel*



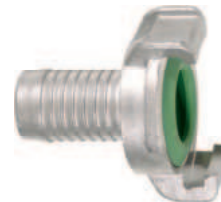
- Material:.....stainless steel similar to 1.4401
- Claw distance:.....uniform 40 mm, multiple combinations possible
compatible with all other GEKA® and GEKA® plus versions
- Operating pressure:**max. 40 bar.** Corresponds to more than double the operating pressure in comparison with the common claw couplings according to GEKA® system
- Vacuum resistance:.....up to 10 m water column (WS)
- Temperature range:approx. -5 °C to +100 °C (depending on the seal ring quality)
- Seal:as standard with **GEKA® plus shaped seal, form 300V i.a.w. DIN ISO 1629, patented**, temperature range of approx. -10 °C to +150 °C
- Options:on request GEKA® plus shaped seal 300C and available in the qualities NBR food-resistant (300D), for drinking water, also available in EPDM (E) as well as dirt filters, for self-assembly
- Area of application:**chemical industry, beverage industry, pharmaceutical industry etc.**

1

GEKA® plus hose pieces E

Grommet with striking and hose protecting ribbed profile guarantees fixed hose fit. For clamps and ferrules

Hose ID mm	13	19	25	32
Hose size	1/2"	3/4"	1"	1 1/4"
PU units	10	10	10	10
Covering box units	150	120	100	70
Item no.	03.0101	03.0103	03.0104	03.0106



GEKA® plus threaded fittings E with female thread

FKM flat seal ring on threaded side (fluororubber) i.a.w. DIN ISO 1629

Female thread in mm	19.17	24.66	30.93	39.59
Female thread	G1/2	G3/4	G1	G1 1/4
PU units	10	10	10	10
Covering box units	160	160	140	100
Item no.	03.1110	03.1111	03.1113	03.1114



GEKA® plus threaded fittings E with male thread

Male thread in mm	20.95	26.44	33.25	41.91
Male thread	G1/2	G3/4	G1	G1 1/4
PU units	10	10	10	10
Covering box units	180	170	160	120
Item no.	03.2110	03.2111	03.2113	03.2114



GEKA® plus dummy coupling E

With bore for chain fastening

PU units	10
Covering box units	180
Item no.	03.3118



Special note: In general, stainless steel is perfectly suited for a multitude of media. This includes many aggressive media that must or should not get into contact with the non-ferrous metal brass or Various plastics. That is why the GEKA® plus products made from stainless steel represent an enormous enrichment within the original GEKA® family as they also open up another very wide professional field of use, e.g. in the chemical industry, beverage industry, pharmaceutical industry, or in the field of environmental protection, etc.



GEKA® plus quick couplings EK for drinking water *stainless steel*



- Advantage / benefit:..... **complies with the German drinking water ordinance:**
with DVGW type examination certificate,
registration number DW-0310BT0218
- Material:..... stainless steel 1.4401 after BWGL metallic materials in contact with drinking water
- Claw distance:..... uniform 40 mm, multiple combinations possible
compatible with the GEKA® plus versions K and XK
- Operating pressure:..... **max. 40 bar**, corresponds to more than double the operating pressure in comparison with the
common claw couplings according to GEKA® system
- Vacuum resistance:..... up to 10 m water column (WS)
- Temperature range:..... approx. -5 °C to +100 °C (depending on the seal ring quality)
- Seal:..... as standard with **GEKA® plus shaped seal K 300D, for drinking water DIN EN 16421, KTW BWGL**
temperature range of approx. -10 °C to +90 °C
- Application:..... **in the drinking water and beverage industry, as well as at public events, such as fairs, outdoor events, etc.**

1

GEKA® plus hose pieces EK



Grommet with striking and hose protecting ribbed profile guarantees fixed hose fit.
For clamps and ferrules

Hose ID mm	13	19	25
Hose size	1/2"	3/4"	1"
PU units	10	10	10
Covering box units	150	120	100
Item no.	02.5101	02.5103	02.5104

GEKA® plus threaded fittings EK with female thread



EPDM flat seal ring on the threaded side. KTW approval i.a.w. D2 and test certificate DVGW W270

Female thread in mm	19.17	24.66	30.93
Female thread	G1/2	G3/4	G1
PU units	10	10	10
Covering box units	160	160	140
Item no.	02.5110	02.5111	02.5113

GEKA® plus threaded fittings EK with male thread



Male thread in mm	20.95	26.44	33.25
Male thread	G1/2	G3/4	G1
PU units	10	10	10
Covering box units	180	170	160
Item no.	02.5210	02.5211	02.5213

GEKA® plus dummy coupling EK



With bore for chain fastening

PU units	10
Covering box units	180
Item no.	02.5118

Special note: In general, stainless steel is perfectly suited for a multitude of media. This includes many aggressive media that must or should not get into contact with the non-ferrous metal brass or Various plastics. That is why the GEKA® plus products made from stainless steel represent an enormous enrichment within the original GEKA® family as they also open up another very wide professional field of use, e.g. in the chemical industry, beverage industry, pharmaceutical industry, or in the field of environmental protection, etc.



GEKA® plus quick couplings P *plastic*

Extra
lightweight

The
Original

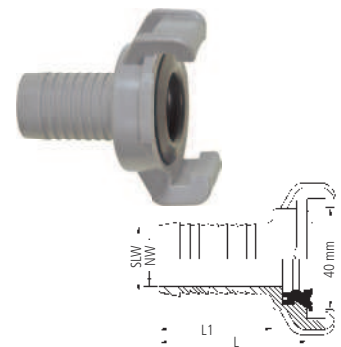
- Advantage / benefit:..... **high resistance to wear, abrasion and resistance to breaking**
 Made in Germany
- Material:..... plastic PA 6 GF 25
- Claw distance:..... uniform 40 mm, multiple combinations possible
 compatible with all other GEKA® and GEKA® plus versions
- Operating pressure:..... **max. 15 bar**
- Vacuum resistance:..... up to 10 m water column (WS)
- Temperature range: approx. -5 °C to +100 °C (depending on the seal ring quality)
- Seal: as standard with **GEKA® plus shaped seal 300C, patented**,
 temperature range of approx. -10 °C to +90 °C
- Colour:..... grey
- Options: on request GEKA® plus shaped seal 300V, patented, as well as dirt filters, available for self-assembly
- Area of application: **water, suction and pressure hoses**, in industry, construction and agriculture,
 horticulture and domestic water installations

1

GEKA® plus hose pieces P

Grommet with striking and hose protecting ribbed profile guarantees fixed hose fit

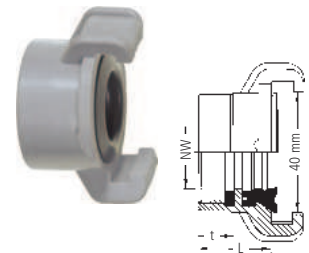
Hose ID mm	10	13	16	19	25	32
Hose size	3/8"	1/2"	5/8"	3/4"	1"	1 1/4"
Nominal width (NW) mm	7	10	12	15	20	27
L mm	41	41	45	45	50	61
L1 mm	28	28	32	32	37	48
PU units	10	10	10	10	10	10
Covering box units	180	180	160	150	120	80
Item no.	09.0100	09.0101	09.0102	09.0103	09.0104	09.0106



GEKA® plus threaded fittings P with female thread

NBR flat seal ring on the threaded side

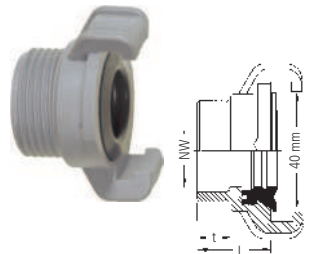
Female thread in mm	19.17	24.66	30.93	39.59	45.48
Female thread	G1/2	G3/4	G1	G1 1/4	G1 1/2
Nominal width (NW) mm	14	18	23	23	23
t mm	11	11	11	15	15
L mm	24	24	24	31	31
PU units	10	10	10	10	10
Covering box units	200	200	150	120	100
Item no.	09.0110	09.0111	09.0113	09.0114	09.0116



GEKA® plus threaded fittings P with male thread

Conical sealing attachment at thread run-out

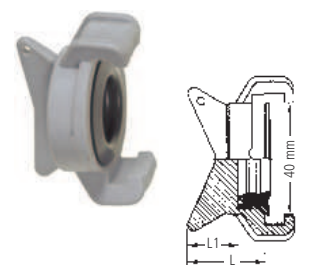
Male thread in mm	20.95	26.44	33.25	41.91
Male thread	G1/2	G3/4	G1	G1 1/4
Nominal width (NW) mm	14	19	23	23
t mm	11	13	13	15
L mm	24	24	26	28
PU units	10	10	10	10
Covering box units	200	180	180	140
Item no.	09.0120	09.0121	09.0123	09.0124



GEKA® plus dummy coupling P

With bore for chain fastening

L mm	26
L1 mm	13
PU units	10
Covering box units	200
Item no.	09.0118



GEKA® plus threaded pieces *chrome-plated*

The Original



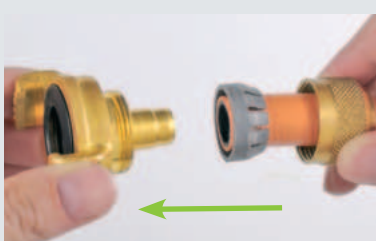
GEKA® plus threaded pieces, brass, chrome-plated			
Female thread in mm	19.17	24.66	30.93
Female thread	G1/2	G3/4	G1
PU units	10	10	10
Covering box units	160	160	130
Item no.	05.1110	05.1111	05.1113

1

GEKA® plus quick couplings Z

For a connection without the need for tools

The Original



Easy assembly. No risk of injury due to sharp edges

Advantage / benefit:..... **two-piece, screwable hose**
 suitable for all common water hoses
non-slip through knurling on the cap nut
 the operating pressure is dependent on the respective hose

Material:.....brass CW617N; clamping ring: PP plastic

Temperature range: approx. -5 °C to +100 °C
 (depending on the seal ring quality)

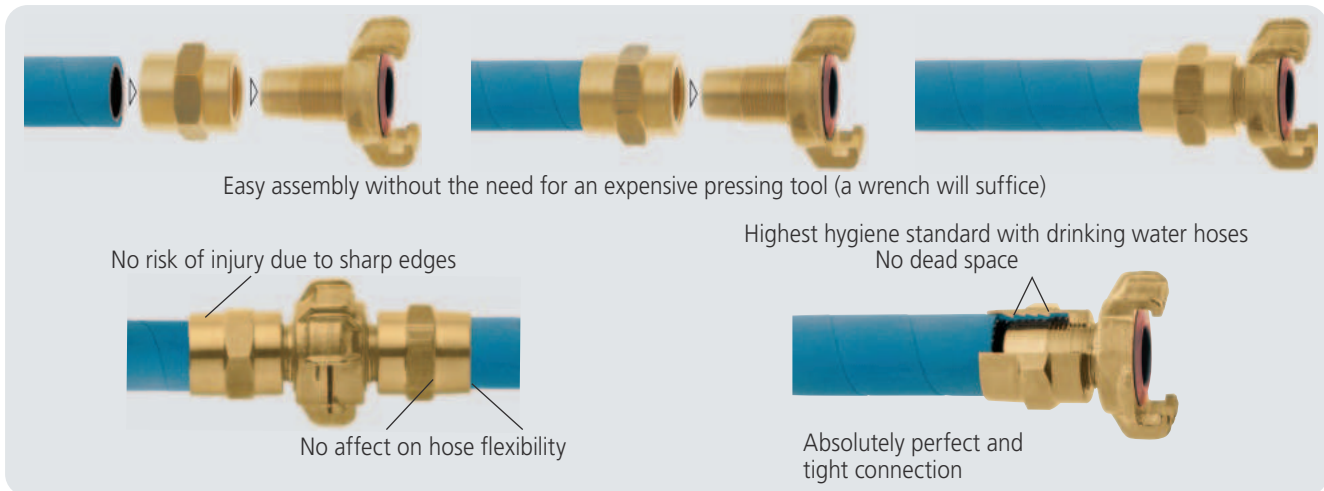
Seal:as standard with **GEKA® plus shaped seal 300C, patented**,
 temperature range of approx. -10 °C to +90 °C



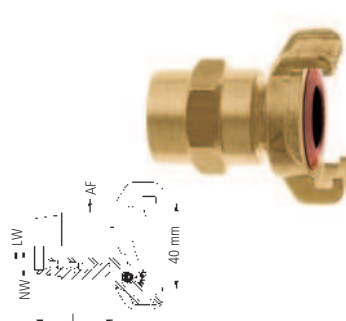
GEKA® plus hose pieces Z, screwable			
Hose ID mm	13	16	19
Hose size	1/2"	5/8"	3/4"
PU units	10	10	10
Covering box units	100	100	60
Item no.	27.0101	27.0102	27.0103



GEKA® plus quick couplings XK for drinking water



- Advantage / benefit:.....**complies with the German drinking water ordinance:**
 with DVGW type examination certificate,
registration number DW-0310BT0218
with screwable hose
easy assembly without expensive insertion tools (wrench suffices)
 can be detached and reused at any time. Absolutely perfect and tight connection
 of hose and fitting
protects against dust pockets between hose clamp and connection piece
no dead space, therefore highest safety and hygiene standards particularly
 for drinking water hoses
no affect on hose flexibility
 hose is supported at the sleeve of the hose during bending
no risk of injury from sharp corners and edges
 simply great and affordable
- Material:.....brass CW617N, BWGL metallic materials in contact with drinking water and DIN 50930/6
- Claw distance:.....uniform 40 mm, multiple combinations possible
 compatible with all other GEKA® versions
- Operating pressure:.....**max. 40 bar.** operating pressure **hose depends on the wall thickness of hose** (see table)
- Vacuum resistance:.....up to 10 m water column (WS); vacuum resistance
- Temperature range:approx. -5 °C to +100 °C (depending on the seal ring quality)
- Seal:as standard with **GEKA® plus shaped seal K 300D, for drinking water DIN EN 16421, KTW BWGL, patented**, temperature range of approx. -10 °C to +90 °C
- Area of application:**for almost all high-quality drinking water, water, industrial, suction, and pressure hoses of known manufacturers**
- Application:.....**at public events, such as fairs, outdoor events, etc.**



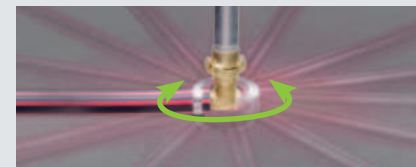
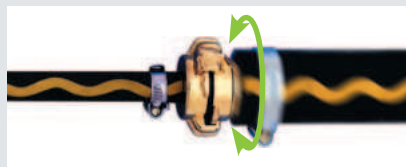
GEKA® plus hose pieces XK

Hose ID mm	13	19	25
Hose size	1/2"	3/4"	1"
suitable for hose wall thickness from - to mm	3.0 - 3.8	3.8 - 4.2	4.4 - 5.0
AF mm	24	32	41
L mm	35	37	41
PU units	5	5	5
Covering box units	100	80	60
Item no.	01.1010	01.1030	01.1040

Special note: Brass is not suitable for all detergents and cleaning agents. In special cases GEKA® plus couplings made of stainless steel must be used. **It is imperative that the specified wall thicknesses of the hose are observed for perfect and tight hose fitting!**



GEKA® plus quick couplings 360 rotatable



6 main advantages

1

- 1 - Prevention of hose twisting
- 2 - Easy rotation of hose grommets and/or thread connections (female and male) **under load from pressure or suction**
- 3 - **Optimal hose protection and safety.** No motion-related dangerous hose kink
- 4 - **The 90° angle hose connections enable simple attachment and installation** in extremely narrow assembly areas
- 5 - **Lock nubs ensure maximum safety and prevent automatic loosening - also in coupled, pressureless condition**
- 6 - **Compatibility with all GEKA® and GEKA® plus versions**

Material:.....brass CW617N

Operating pressure:.....**max. 40 bar.** Corresponds to more than double the operating pressure in comparison with the common claw couplings according to GEKA® system

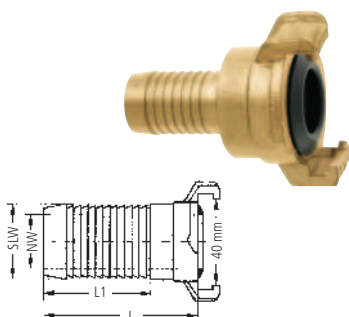
Vacuum resistance:.....up to 10 m water column (WS)

Temperature range:.....approx. -5 °C to +100 °C (depending on the seal ring quality)

Seal:.....as standard with **GEKA® plus shaped seal 300C, patented,** temperature range of approx. -10 °C to +90 °C

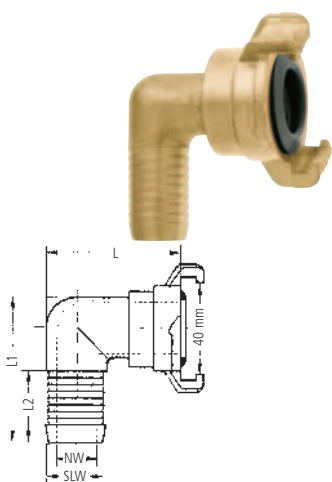
Options:.....on request GEKA® plus shaped seal 300, patented, available in the qualities EPDM (300E) and FKM (300V)

Area of application:.....**water, suction and pressure hoses.** Mechanical, plant, aggregate, vehicle, tool and pump engineering, building construction and civil engineering, horticulture and landscaping, agriculture, plumbing and fitting industries, home and garden, etc.



GEKA® plus hose pieces 360

Hose ID mm	13	16	19	25	32
Hose size	1/2"	5/8"	3/4"	1"	1 1/4"
Nominal width (NW) mm	11	13.5	16	21	28
L mm	60	56	60	67	75
L1 mm	36	32	36	40	52
PU units	10	10	10	10	10
Covering box units	90	80	100	80	50
Item no.	07.0101	07.0102	07.0103	07.0104	07.0106



GEKA® plus angled hose pieces 360

Hose ID mm	13	19	25	32
Hose size	1/2"	3/4"	1"	1 1/4"
Nominal width (NW) mm	11	15	21	28
L mm	48	54	59	79
L1 mm	51	55	64	90
L2 mm	32	30	31	46
PU units	5	5	5	1
Covering box units	70	70	50	35
Item no.	07.0011	07.0013	07.0014	07.0016

Please note: Not suitable as slide bearing for continuous operation



GEKA® plus quick couplings 360 rotatable



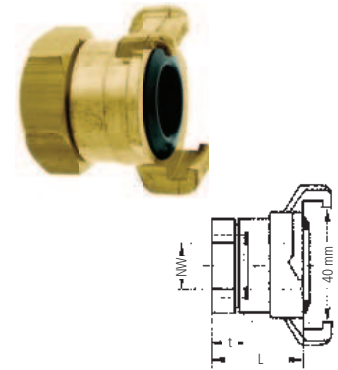
Material:.....brass CW617N
 Operating pressure:**max. 40 bar.** Corresponds to more than double the operating pressure in comparison with the common claw couplings according to GEKA® system
 Vacuum resistance:.....up to 10 m water column (WS)
 Temperature range:approx. -5 °C to +100 °C (depending on the seal ring quality)
 Seal:as standard with **GEKA® plus shaped seal 300C, patented**, temperature range of approx. -10 °C to +90 °C
 Options:on request GEKA® plus shaped seal 300, patented, available in the qualities EPDM (300E) and FKM (300V)
 Area of application:**water, suction and pressure hoses.** Mechanical, plant, aggregate, vehicle, tool and pump engineering, building construction and civil engineering, horticulture and landscaping, agriculture, plumbing and fitting industries, home and garden, etc.

1

GEKA® plus threaded fittings 360 with female thread

NBR flat seal ring on the threaded side

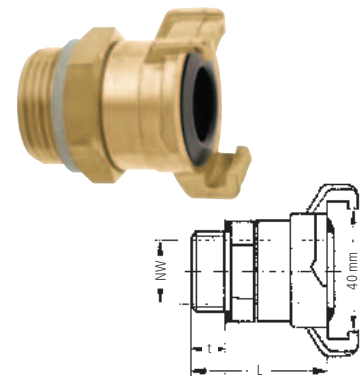
Female thread in mm	19.17	24.66	30.93
Female thread	G1/2	G3/4	G1
Hexagon AF mm	30	32	38
Nominal width (NW) mm	18	19	19
t mm	8	8	10
L mm	33	36	38
PU units	10	10	10
Covering box units	90	80	80
Item no.	07.1110	07.1111	07.1113



GEKA® plus threaded fittings 360 with male thread

EWP 210 flat seal ring on the threaded side

Male thread in mm	20.95	26.44	33.25
Male thread	G1/2	G3/4	G1
Hexagon AF mm	30	32	38
Nominal width (NW) mm	14	18	25
t mm	10	10	12
L mm	45	45	46
PU units	10	10	10
Covering box units	90	70	70
Item no.	07.2110	07.2111	07.2113



Please note: Not suitable as slide bearing for continuous operation

GEKA® quick couplings 360 rotatable



Advantage / benefit:.....**easy rotation** of hose grommets to prevent twisting of hose
 Operating pressure:**max. 10 bar.**
 Temperature range:approx. -5 °C to +100 °C (depending on the seal ring quality)
 Seal:as standard with GEKA® shaped seal 200C, temperature range of approx. -10 °C to +90 °C
 Options:on request GEKA® shaped seal in the qualities NBR form 120 (120C), FKM (200V) as well as dirt filters, available for self-assembly

GEKA® hose pieces 360

Hose ID mm	13	19	25
Hose size	1/2"	3/4"	1"
PU units	10	10	10
Covering box units	150	150	130
Item no.	08.4101	08.4103	08.4104



Please note: Cannot be rotated under pressure

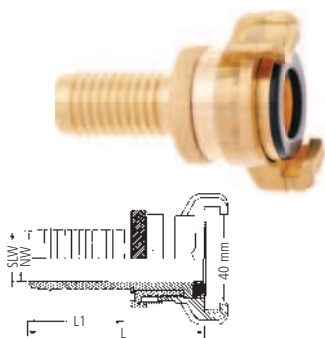


GEKA® plus suction and pressure couplings SH

Pump connection

- Advantage / benefit: **in pressureless state completely leakproof protected against automatic loosening by lock nubs and screwed rings recommended for rigid hose lines**
- Handling: turn back ring nuts, connect, tighten ring nuts
- Material: brass CW617N
- Operating pressure: **max. 50 bar**
- Vacuum resistance: up to 10 m water column (WS)
- Seal: as standard with **GEKA® plus shaped seal SH 220C**
- Options: on request GEKA® plus shaped seal form 220 in the quality FKM (220V), available for self-assembly
- Area of application: **for water, suction and high-pressure hoses, pressure and pumping equipment, etc.** in industry, construction and agriculture, horticulture and domestic water installations

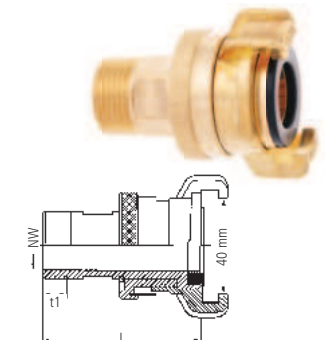
1



GEKA® plus hose pieces SH with grommet

For clamps and ferrules

Hose ID mm	13	19	25	32
Hose size	1/2"	3/4"	1"	1 1/4"
Nominal width (NW) mm	10	15	20	28
L mm	67	71	76	82
L1 mm	31	35	42	46
PU units	5	5	5	5
Covering box units	70	60	50	45
Item no.	14.0101	14.0103	14.0104	14.0106



GEKA® plus threaded fittings SH with male thread

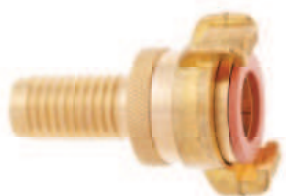
Male thread in mm	26.44	33.25
Male thread	G3/4	G1
Hexagon AF mm	24	24
Nominal width (NW) mm	20	20
t1 mm	10	10
L mm	60	62
PU units	5	5
Covering box units	55	55
Item no.	14.2111	14.2113

GEKA® plus suction and pressure couplings SHK for drinking water *brass*



For drinking water

- Advantage / benefit: **complies with the German drinking water ordinance: meets the DVGW testing specification VP550 with DVGW type examination certificate, registration number DW-0310BT0218**
- Seal: as standard with **GEKA® plus shaped seal SH 220D**, for drinking water DIN EN 16421, KTW BWGL, temperature range of approx. -10 °C to +90 °C
- Application: **at public events, such as fairs, outdoor events, etc.**



GEKA® plus hose pieces SHK with grommet

For clamps and ferrules

Hose ID mm	13	19	25
Hose size	1/2"	3/4"	1"
Nominal width (NW) mm	10	15	20
PU units	5	5	5
Covering box units	70	60	50
Item no.	02.4101	02.4103	02.4104



GEKA® plus threaded fittings SHK with male thread

Male thread in mm	26.44	33.25
Male thread	G3/4	G1
Hexagon AF mm	24	24
Nominal width (NW) mm	20	20
PU units	5	5
Covering box units	55	55
Item no.	02.4111	02.4113



GEKA® plus suction and pressure couplings SDP *plastic*

Pump connection

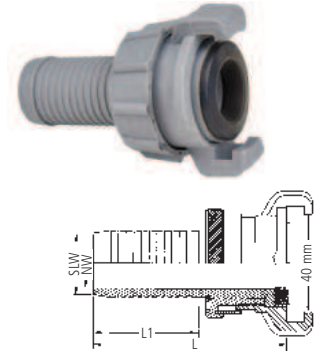
- Advantage / benefit:.....**secured against becoming loose and completely sealed when in a non-pressurised state thanks to lock nubs and screw rings**
- Material:.....plastic PA 6.6 GF30
- Operating pressure:**max. 15 bar**
- Vacuum resistance:.....up to 10 m water column (WS)
- Seal:as standard with **GEKA® plus shaped seal SH 220C**, temperature range of approx. -10 °C to +90 °C
- Colour:.....grey
- Options:**on request GEKA® plus shaped seal SH form 220 in the quality FKM (220V)**, available for self-assembly
- Area of application:**water, suction and pressure hoses, pressure and pumping equipment**, respiratory equipment, etc., in industry, construction and agriculture, horticulture and domestic water installations

1

GEKA® plus hose pieces SDP plastic

For clamps and ferrules

Hose ID mm	19	25
Hose size	3/4"	1"
Nominal width (NW) mm	15	19
L mm	70	75
L1 mm	34	39
PU units	5	5
Covering box units	60	60
Item no.	14.3103	14.3104



GEKA® suction and pressure couplings SD

Pump connection

- Material:.....brass
- Operating pressure:**max. 25 bar**
- Seal:as standard with **GEKA® shaped seal SD 220C**, temperature range of approx. -10 °C to +90 °C
- Area of application:**in all pressure and suction areas,,** completely leakproof when depressurised

GEKA® hose pieces SD with grommet

For clamps and ferrules

Hose ID mm	13	19	25	32
Hose size	1/2"	3/4"	1"	1 1/4"
PU units	10	10	10	10
Covering box units	70	70	50	50
Item no.	08.8101	08.8103	08.8104	08.8106



GEKA® threaded fittings SD with male thread

Male thread in mm	26.44	33.25
Male thread	G3/4	G1
Hexagon AF mm	24	24
PU units	5	5
Covering box units	60	130
Item no.	08.8211	08.8213



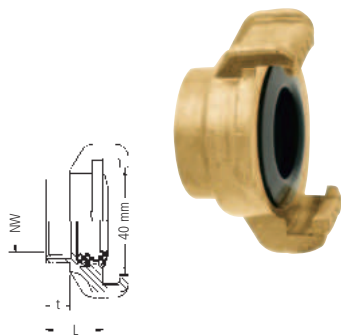
GEKA® plus quick couplings with short thread

For our
sprinklers
in chapter 6

The
Original

Material:.....brass CW617N
 Temperature range:approx. -5 °C to +100 °C (depending on the seal ring quality)
 Operating pressure:**max.20 bar.**
 Seal:as standard with **GEKA® plus shaped seal 300C, patented,**
 temperature range of approx. -10 °C to +90 °C
 no flat seal ring on the threaded side

1



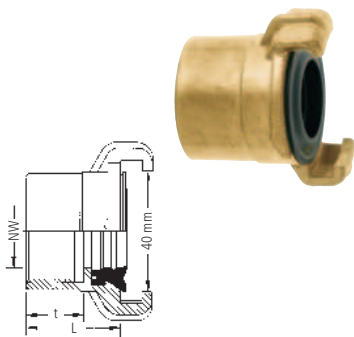
GEKA® plus short-threaded parts

Female thread in mm	19.17	24.66
Female thread	G1/2	G3/4
Nominal width (NW) mm	19	23
Thread length mm	3,5	5
t mm	6	8
L mm	17,5	19,5
PU units	10	10
Covering box units	150	170
Item no.	04.1033	04.1133

GEKA® quick couplings with long thread

For our
sprinklers
in chapter 6

Material:.....brass
 Temperature range:approx. -5 °C to +100 °C (depending on the seal ring quality)
 Operating pressure:**max.10 bar.**
 Seal:**as standard with GEKA® shaped seal 200C,**
 temperature range of approx. -10 °C to +90 °C
 Options:on request GEKA® shaped seal in the qualities NBR 120C
 (Form 120), FKM 200V (Form 200) as well as dirt filters,
 available for self-assembly



GEKA® long-threaded parts

Female thread in mm	19.17	24.66	30.93
Female thread	G1/2	G3/4	G1
Nominal width (NW) mm	15	24	28
Thread length mm	22,5	12,5	16
t mm	25	15.5	20
L mm	35.5	27	33
PU units	10	10	10
Covering box units	140	140	100
Item no.	08.3201	08.3203	10.1333

GEKA® plus adapters STORZ



10.3116

10.3119

GEKA® plus adapters STORZ

Material: GEKA® plus: brass; STORZ: aluminium
 system connections, fixed

Female thread	G1 (STORZ)	G1¼ (STORZ)
Male thread	G1 (GEKA® plus)	G1¼ (GEKA® plus)
STORZ size	STORZ D	STORZ C
PU units	1	1
Item no.	10.3116	10.3119



GEKA® plus branch pieces

GEKA® plus branch piece

Material: brass CW617N
 Seal: as standard with **GEKA® plus shaped seal 300C, patented**
 temperature range of approx. -10 °C to +90 °C
 Connection: GEKA® plus quick couplings, fixed

Nominal size in mm	13
Nominal size	1/2"
Connection	GEKA® plus
PU units	5
Covering box units	40
Item no.	33.3341



GEKA® plus branch pieces with male thread

Material: brass / brass chrome-plated
 Seal: flat-sealing with seal ring

Female thread in mm	24.66	24.66
Female thread	G3/4	G3/4
Male thread in mm	26.44	26.44
Male thread	G3/4	G3/4
Nominal size in mm	13	13
Nominal size	1/2"	1/2"
Material	brass	brass, chrome-plated
PU units	10	10
Covering box units	120	150
Item no.	33.3340	33.4334

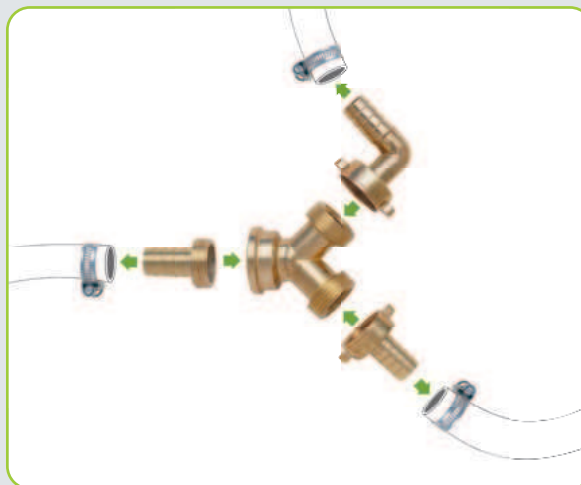


33.3340



33.4334

Installation example from the
 planning aid on page 11



GEKA® branch piece

GEKA® branch piece

Material: brass
 Seal: as standard with **GEKA® shaped seal 200C**,
 temperature range of approx. -10 °C to +90 °C
 Connection: GEKA® plus quick couplings, fixed

Nominal size in mm	13
Nominal size	1/2"
PU units	5
Covering box units	40
Item no.	33.3342



GEKA® plus two-way valves

Advantage / benefit:individually adjustable and shut-off valves



GEKA® plus two-way valve

As standard with **GEKA® plus shaped seal 300C**, patented, temperature range of approx. -10 °C to +90 °C
Connection: GEKA® plus quick couplings

Nominal size	1/2"
PU units	1
Covering box units	20
Item no.	34.3331



GEKA® plus two-way valve with rotatable cap nut

Connection: with rotatable cap nut and two male threaded connections

Nut thread in mm	24.66
Nut thread	G3/4
Male thread in mm	26.44
Male thread	G3/4
Nominal size	1/2"
PU units	1
Covering box units	30
Item no.	34.3332

1

GEKA® two-way valves

Spare parts
see
chapter 11

Advantage / benefit:individually adjustable and shut-off valves, light version

Material:ball: brass hard chrome-plated

Seal:as standard with GEKA® shaped seal 200C, temperature range of approx. -10 °C to +90 °C

Connection:GEKA® quick couplings



GEKA® two-way valve with ball stop valve

Handles: plastic black

Nominal size	1/2"
PU units	5
Covering box units	20
Item no.	33.5331



GEKA® two-way valve with regulating closing valve

Nominal size	1/2"
PU units	1
Covering box units	25
Item no.	34.3335



GEKA® Express quick couplings



Advantage / benefit: **easier connection** than conventional Express quick couplings
 Material:.....brass CW617N
 Claw distance:.....uniform 41 mm. Compatible with all common Express couplings i.a.w. NF E 29-573 (mainly France).
 Operating pressure: **max. 10 bar (water)**
 Temperature range: approx. -10 °C to +90 °C (depending on the seal ring quality)
 Seal:as standard with GEKA® plus shaped seal 300C
 Area of application: water, industrial, suction and pressure hoses

1

GEKA® Express hose pieces

Grommet with raised end rib and hose protecting ribbed profile



Hose ID mm	13	16	19	25
Hose size	1/2"	5/8"	3/4"	1"
FR size	13/15	16/18	19/21	25/27
PU units	10	10	10	10
Covering box units	150	130	120	100
Item no.	44.0001	44.0002	44.0003	44.0004

GEKA® Express threaded fittings with female thread

NBR flat seal ring on the threaded side



44.0016

Female thread in mm	15.39	19.17	24.66	30.93	39.59	51.34
Female thread	G3/8	G1/2	G3/4	G1	G1 1/4	G1 3/4
FR size	12x17	15x21	20x27	26x34	33x42	55x300
PU units	10	10	10	10	10	10
Covering box units	180	160	160	140	100	40
Item no.	44.0011	44.0012	44.0013	44.0014	44.0015	44.0016

GEKA® Express threaded fittings with male thread



44.0026

Male thread in mm	16.66	20.95	26.44	33.95	41.91	47.80
Male thread	G3/8	G1/2	G3/4	G1	G1 1/4	G1 3/4
FR size	12x17	15x21	20x27	26x34	33x42	55x300
PU units	10	10	10	10	10	10
Covering box units	180	180	170	160	130	40
Item no.	44.0021	44.0022	44.0023	44.0024	44.0025	44.0026

GEKA® Express dummy coupling

With bore for chain fastening



PU units	10
Covering box units	180
Item no.	44.0031



Spare parts GEKA® plus shaped seals, form 300

Patented

1



GEKA® plus shaped seal 300C

Material: NBR
 Colour: black
 Temperature range:..... constant: approx. -10 °C to +90 °C, short-term: -10 °C to +120 °C
 Area of application: NBR is highly resistant to oils and petrol unfavourable with oxidising media
 Use: **GEKA® plus Standard as standard in all GEKA® plus quick couplings Express quick couplings, brass, brass chrome-plated and plastic**

PU units	50
Item no.	04.5200

For drinking water



GEKA® plus shaped seal K 300D

Material: NBR for drinking water, DIN EN 16421, KTW BWGL
 Colour: beige red
 Temperature range:..... constant: approx. -10 °C to +90 °C, short-term: -10 °C to +120 °C
 Use: **as standard in all GEKA® plus quick couplings model ranges K, EK and XK**

PU units	10
Item no.	04.5205



GEKA® plus shaped seal 300E

Material: EPDM
 Colour: black
 Temperature range:..... approx. -30 °C to +130 °C
 Area of application: EPDM is well resistant to ozone and weather. Particularly suitable for aggressive chemicals. Unfavourable for oils, fuels and greases

PU units	10
Item no.	04.5203



GEKA® plus shaped seal 300V

Material: FKM i.a.w. DIN ISO 1629
 Colour: green
 Temperature range:..... constant: approx. -10 °C to +150 °C, short-term: -10 °C to + 200 °C
 Area of application: the chemical properties of FKM i.a.w. DIN ISO 1629 are the most favourable of all elastomers
 Use: **as standard in all GEKA® plus quick couplings E**

PU units	10
Item no.	04.5202

Special note: GEKA® plus moulded seals, form 300, only fit in the GEKA® plus quick couplings



Spare parts

GEKA® shaped seals, form 200

GEKA® shaped seal, 200C

Material: NBR
 Colour: black
 Temperature range:..... constant: approx. -10 °C to +90 °C, short-term: -10 °C to +120 °C
 Area of application: NBR is highly resistant to oils and petrol unfavourable with oxidising media
 Use: **as standard in all GEKA® quick couplings made of brass**

PU units	50
Covering box units	600
Item no.	08.5200



1

GEKA® shaped seal 200V

Material: FKM
 Colour: green
 Temperature range:..... constant: approx. -10 °C to +150 °C, short-term: -10 °C to + 200 °C
 Area of application: the chemical properties of FKM i.a.w. DIN ISO 1629 are the most favourable of all elastomers

PU units	10
Item no.	10.5202



Special note: GEKA® shaped seals, form 200, only fit in the GEKA® quick couplings

GEKA® shaped seal, form 120

GEKA® shaped seal, 120C

Material: NBR
 Colour: black
 Temperature range:..... constant: approx. -10 °C to +90 °C, short-term: -10 °C to +120 °C
 Area of application: NBR is highly resistant to oils and petrol unfavourable with oxidising media

PU units	50
Item no.	10.5122



Special note: GEKA® shaped seal, form 120, only fits in the GEKA® quick couplings

GEKA® plus flat seal rings 360

GEKA® plus flat seal rings 360 EWP 210

Material: EWP 210
 Colour: green

Dimensions approx. mm	24 x 20.4 x 2.5	31 x 25.9 x 2.5
PU units	1	1
Item no.	07.3110	07.3111



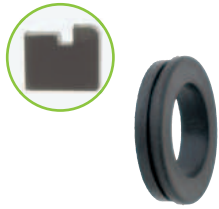
Special note: suitable for all GEKA® plus male thread pieces 360



Spare parts

GEKA® plus shaped seals, SH form 220

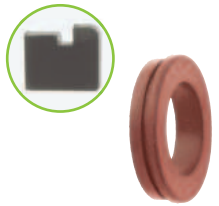
1



GEKA® plus shaped seal SH 220C

Material: NBR
 Colour: black
 Temperature range:..... constant: approx. -10 °C to +90 °C, short-term: -10 °C to +120 °C
 Area of application: NBR is highly resistant to oils and petrol unfavourable with oxidising media
 Use: **as standard in all GEKA® plus suction and pressure couplings SH as well as in all GEKA® plus suction and pressure couplings SDP plastic**

PU units	10
Item no.	14.5220



GEKA® plus shaped seal SHK 220D

Material: NBR for drinking water, DIN 16421 KTW BWGL
 Colour: beige red
 Temperature range:..... approx. -10 °C to + 65 °C
 Use: **as standard in all GEKA® plus suction and pressure couplings SHK**

PU units	10
Item no.	14.5221



GEKA® plus shaped seal SH 220V

Material: FKM
 Colour: green
 Temperature range:..... constant: approx. -10 °C to +150 °C, short-term: -10 °C to + 200 °C
 Area of application: the chemical properties of FKM are the most favourable of all elastomers

PU units	10
Item no.	14.5222

GEKA® shaped seal SD, form 220



GEKA® shaped seal SD 220C

Material: NBR
 Colour: black
 Temperature range:..... constant: approx. -10 °C to +90 °C, short-term: -10 °C to +120 °C
 Area of application: NBR is highly resistant to oils and petrol unfavourable with oxidising media
 Use: **as standard in all GEKA® suction and pressure couplings**

PU units	10
Item no.	08.8220

Special note: The GEKA® shaped seals SD NBR are suitable for all GEKA® suction and pressure couplings made of brass

Spare parts

GEKA® plus flat seal rings

GEKA® plus flat seal rings NBR

Material: NBR
 Colour: black
 Temperature range:..... -40 °C to +80 °C
 Area of application: NBR is only resistant against oils and petrol to a limited extent
 not suitable for oxidising media
 Special note: **suitable for all GEKA®, GEKA® plus and GEKA® Express
 female thread pieces**

For Item no.	04.1108, 08.1108	04.1109, 08.1109	04.1110, 05.1110, 08.1110, 07.1110	04.1111, 05.1111, 03.1111, 08.1111, 07.1111
Dimensions approx. mm	13 x 8 x 1,5	17 x 11 x 1,5	20,5 x 14 x 1,5	26 x 18 x 2
PU units	50	50	50	50
Item no.	58.4681	10.5109	10.5110	10.5111

For Item no.	04.1113, 03.1113, 08.1113, 07.1113	04.1114, 08.1114	04.1116, 08.1116	44.0016
Dimensions approx. mm	33 x 23 x 2	42 x 30 x 2	48 x 36 x 2	50 x 40 x 2
PU units	50	50	50	1
Item no.	10.5113	10.5114	10.5116	26.5157



GEKA® plus flat seal rings K for drinking water EPDM

Material: EPDM
 Colour: black
 Temperature range:..... -30 °C to +130 °C
 Area of application: **for drinking water, according to DIN 16421 and KTW BWGL**
 Special note: suitable for all GEKA® plus female thread pieces
 Use: **as standard in model ranges K and EK**



For Item no.	02.1109	02.1110, 02.5110	02.1111, 02.5111
Dimensions approx. mm	17 x 11 x 1,5	20,5 x 14 x 1,5	26 x 18 x 2
PU units	50	50	50
Item no.	10.5009	10.5010	10.5011

For Item no.	02.1113, 02.5113	02.1114	02.1116
Dimensions approx. mm	33 x 23 x 2	42 x 30 x 2	48 x 36 x 2
PU units	50	50	50
Item no.	10.5013	10.5014	10.5016



GEKA® plus flat seal rings FKM

Material: FKM i.a.w. DIN ISO 1629
 Colour: green
 Temperature range:..... -10 °C to +150 °C
 Special note: suitable for all GEKA® plus female thread pieces
 Use: **as standard in model range E**

For catalogue no.	03.1110	03.1111	03.1113	03.1114
Dimensions approx. mm	20.5 x 14 x 1.5	26 x 18 x 2	33 x 23 x 2	42 x 30 x 2
PU units	10	10	10	10
Item no.	10.5005	10.5001	10.5003	10.5004



Spare parts GEKA® plus dirt filter

1



GEKA® plus dirt filter

Advantage / benefit: simply insert under the GEKA® plus shaped seal ring form 300 without tool
 Material: brass mesh
 Mesh width: 0.45
 Use: suitable for all GEKA® plus versions

Dimensions approx. mm	Ø 28 x 0.4
PU units	10
Item no.	10.5249

GEKA® dirt filter



GEKA® dirt filter

Advantage / benefit: simply insert under the GEKA® plus moulded seal rings form 200 or form 120 without tool
 Material: brass mesh
 Mesh width: 0.45
 Use: suitable for all GEKA® quick couplings

Dimensions approx. mm	Ø 33 x 0.4
PU units	10
Item no.	10.5250

Special note: **GEKA® plus dirt filters** outer diameter 28 mm are only suitable with the GEKA® plus quick couplings
GEKA® dirt filters outer diameter 33 mm for the proven GEKA® quick couplings

GEKA® cap dirt strainer



GEKA® cap dirt strainer Maxi

Advantage / benefit: largest possible filter area for GEKA® quick couplings simply insert under the GEKA® moulded seal rings form 200 or form 120C without tool
 Material: fabric V2A coated with ABS plastic
 Use: suitable for all GEKA® quick couplings

PU units	10
Item no.	10.5251

Sealing tape roller



For drinking water



Sealing tape roller PTFE

Quality information: DIN EN 751-3, DIN 30660, Class GRp -100 g/m²
 Material: PTFE
 Area of application: for sealing threads

Approx. length m	12
Dimensions approx. mm	12 x 0.1
PU units	10
Item no.	04.5000

GEKA® plus spray nozzles

Material:brass
 Seal:**conical metal sealing**
 between tapered die and gland seal O-ring NBR
 Jet type:**from fine spraying to the hard full jet**
 water flow can be stopped, infinitely variable quantity adjustment

GEKA® plus spray nozzles with grommet

Grommet with striking and hose protecting ribbed profile guarantees fixed hose fit



Hose ID mm	13	19	25
Hose size	1/2"	3/4"	1"
Nozzle tip hole approx. Ø mm	5	7	8
PU units	10	10	1
Covering box units	150	80	50
Item no.	20.0081	20.0083	20.0084

GEKA® plus spray nozzle with male thread



Male thread in mm	26.44
Male thread	G3/4
Nominal size in mm	13
Nominal size	1/2"
Nozzle tip hole approx. Ø mm	5
PU units	5
Covering box units	80
Item no.	20.0291

GEKA® plus spray nozzles with GEKA® plus quick coupling connection



Nominal size in mm	13	19	25
Nominal size	1/2"	3/4"	1"
Nozzle tip hole approx. Ø mm	5	7	8
PU units	5	5	5
Covering box units	80	60	40
Item no.	20.8100	20.8300	20.8400

GEKA® spray nozzles

Material:brass
 Jet type:**from spraying to full jet**
 water flow can be stopped, infinitely variable quantity adjustment

GEKA® spray nozzles with grommet

Grommet with hose protecting ribbed profile guarantees fixed hose fit



Hose ID mm	13	19	25
Hose size	1/2"	3/4"	1"
PU units	10	10	5
Covering box units	150	80	45
Item no.	20.0081.1	20.0083.1	20.0084.1

GEKA® spray nozzles with GEKA® quick coupling connection



Nominal size in mm	13	19	25
Nominal size	1/2"	3/4"	1"
PU units	5	5	5
Covering box units	70	60	50
Item no.	20.8100.1	20.8300.1	20.8400.1

Spray nozzles CH, heavy-duty version

Advantage / benefit:small spray angle of approx. 30°, so particularly suitable for rough spraying and cleaning

Material:brass

Jet type:.....**from fine spraying to the hard full jet**
water flow can be stopped, infinitely variable quantity adjustment

Spray nozzles CH with grommet

Grommet with hose protecting ribbed profile guarantees fixed hose fit

Hose ID mm	13	16	19
Hose size	1/2"	5/8"	3/4"
Nozzle tip hole approx. Ø mm	4	4	4
PU units	10	10	10
Covering box units	100	90	80
Item no.	20.9081	20.9082	20.9083



2

Spray nozzles CH with female thread

Female thread in mm	19.17	24.66	30.93
Female thread	G1/2	G3/4	G1
Nominal size in mm	13	13	19
Nominal size	1/2"	1/2"	3/4"
Nozzle tip hole approx. Ø mm	4	4	4
PU units	10	10	10
Covering box units	100	80	60
Item no.	20.9280	20.9281	20.9283



GEKA® plus garden spray nozzles, heavy-duty version

Material:brass

Seal:between nozzle tip and gland seal O-ring NBR;
sealing plate PU plastic

Jet type:.....**from fine spraying to the hard full jet**
water flow can be stopped, infinitely variable quantity adjustment

GEKA® plus garden spray nozzles with grommet

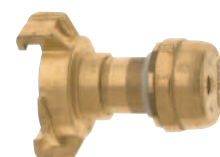
Grommet with striking and hose protecting ribbed profile guarantees fixed hose fit

Hose ID mm	13	19
Hose size	1/2"	3/4"
Nozzle tip hole approx. Ø mm	5	7
PU units	10	10
Covering box units	180	110
Item no.	21.0581	21.0583



GEKA® plus garden spray nozzles with GEKA® plus quick coupling connection

Nominal size in mm	13	19
Nominal size	1/2"	3/4"
Nozzle tip hole approx. Ø mm	5	7
PU units	5	5
Covering box units	80	50
Item no.	21.5810	21.5830



GEKA® plus professional spray guns

- Advantage / benefit: **superior professional quality**
not susceptible to repairs
designed for continuous stress
- Handling: with adjustable and unscrewable spray nozzle,
 handle valve with locking clamp for continuous operation
- Connection: GEKA® plus quick coupling connection suitable for hose sizes
 from 3/8" to 1½". Chemical-resistant to a limited extent
- Jet type: **from fine spraying to the hard full jet**
 water flow can be stopped, infinitely variable quantity adjustment
- Use: **spraying, irrigation, filling, metering, cleaning,**
wetting, moistening
 for cleaning devices, machines, equipment, vehicles and units
 in industry, agriculture and construction, at market and festival operations,
 in the service industry, Home & Garden, etc.

2



GEKA® plus professional spray guns

Material: device body: Aluminium;
 lever, spray nozzle: brass;
 GEKA® plus quick coupling connection:
 brass, matt chrome-plated

Operating pressure: **max. 6 bar**

Connection	GEKA® plus
Flow volume at 3 bar l/min	15
PU units	1
Item no.	51.5291.9



GEKA® plus professional spray guns S

Material: device body: aluminium; lever: brass;
 spray nozzle: brass nickel-plated;
 GEKA® plus quick coupling connection:
 brass, matt chrome-plated

Operating pressure: **max. 20 bar**

Connection	GEKA® plus
Flow volume at 3 bar l/min	16
PU units	1
Item no.	51.5252



GEKA® plus professional cleaning guns

For drinking water

Spare parts see chapter 11

GEKA® plus professional cleaning guns

Advantage / benefit: **consumes approx. 25% less water and features a higher cleaning power compared to conventional cleaning guns suitable for drinking water, as the water-conducting components meet the German drinking water ordinance robust brass/stainless steel combination guarantees long service life**
 Ergonomic design for fatigue-free work
 the rubber-coated grip insulates against cold and heat and absorbs impacts
 the EPDM rubber coating is resistant to acids and alkalis
easy adjustment of the jet spray via a rotary knob – no tools required
 locking catch on the control lever facilitates continuous operation
 23.1891.8 with GEKA® plus quick coupling K made of brass, certified for use with drinking water
 46.7880.8 with GEKA® plus push-fit connector made of brass, certified for use with drinking water

Material:housing: brass; valve insert: stainless steel; rubber coating: EPDM, blue

Operating pressure:**max. 30 bar**

Temperature range:.....max. 50 °C

Seal:seals for drinking water, DIN EN 16421 and KTW BWGL

Jet type:.....infinitely adjustable jet, from concentrated jet to soft spray by means of depressing the ergonomic control lever at different forces

Area of application:**perfect for cleaning industrial, commercial and agricultural applications**

Special note:23.1890.9 suitable for all GEKA® plus thread pieces and swivel joints with G1/2 male thread

Weight:.....approx. 800 g

Connection	Female thread	GEKA® plus quick coupling K drinking water	GEKA® plus push-fit connector drinking water
Female thread in mm	19.17		
Female thread	G1/2		
Flow volume at 3 bar l/min	17	17	17
Flow volume at 5 bar l/min	21	21	21
PU units	1	1	1
Covering box units	12	12	12
Item no.	23.1890.9	23.1891.8	46.7880.8



Setting and adjusting the jet type



From powerful rinsing to concentrated cleaning jet



GEKA® professional cleaning guns

Spare parts
see
chapter 11

Advantage / benefit: **suitable for drinking water, the components used meet the German drinking water ordinance**
robust brass/stainless steel combination guarantees long service life
easy to use with one-handed operation, lockable for continuous operation
 jet type can be set and adjusted using a coin at the adjusting screw
rubber coating on entire gun to protect against damage, as well as cold and heat conduction of flowing water

Material: housing: brass; valve insert: stainless steel; rubber coating: EPDM

Operating pressure: **max. 24 bar**

Temperature range: max. 50 °C

Seal: seals for drinking water, DIN EN 16421 and KTW BWGL

Jet type: open the valve and set the jet type - infinitely adjustable from concentrated jet to wide spray mist by means of depressing the ergonomic control lever at different forces

Area of application: **perfect for cleaning industrial and commercial applications**

Special note: suitable for all GEKA® plus thread pieces and swivel joints with G1/2 male thread

2



GEKA® professional cleaning guns

Connection	Female thread
Female thread in mm	19.17
Female thread	G1/2
Flow volume at 5 bar l/min	25
Weight approx. g	850
PU units	1
Covering box units	12
Item no.	23.1850

Illustrations valid
for item no.:
23.1850, 23.1870,
23.1880 and 46.7002.8



Setting and adjusting the jet type From powerful rinsing to concentrated cleaning jet

GEKA® professional cleaning guns *stainless steel*

Advantage / benefit: **infinitely variable adjustment of jet power**
clearly visible water jet direction arrows
easy handling thanks to one-hand operation; lockable for continuous operation

Material: all water-conducting metal parts: stainless steel 1.4401; rubber coating: EPDM

Operating pressure: **max. 24 bar**

Temperature range: max. 50 °C

Seal: FKM

Area of application: **perfect for cleaning in industrial and commercial applications and the food industry**
 please observe resistance table for use in the chemicals sector

Special note: suitable for all GEKA® plus thread pieces and swivel joints with G1/2 male thread



GEKA® professional cleaning guns

Connection	Female thread
Female thread in mm	19.17
Female thread	G1/2
Flow volume at 5 bar l/min	25
Weight approx. g	970
PU units	1
Covering box units	20
Item no.	23.1870



GEKA® professional cleaning guns for hot water *stainless steel*

Advantage / benefit:**reinforced safety loop** prevents accidental actuation of the operating lever, e.g. when falling down
rubber handle extended on both sides and with a shape that makes it impossible to touch the hot metal parts of the gun or hose fittings
infinitely variable adjustment of jet power
clearly visible water jet direction arrows

Material:all water-conducting metal parts: stainless steel 1.4401; rubber coating: EPDM

Operating pressure:**max. 24 bar**

Temperature range:.....**max. 95 °C; not suitable for steam!**

Seal:**FKM; teflon-/air-insulated**

Area of application:perfect for cleaning in the case of continuous hot-water applications in industrial and commercial areas, workshop and food industry

Special note:suitable for all GEKA® plus thread pieces and swivel joints with G1/2 male thread

2

GEKA® professional cleaning guns for hot water stainless steel

Connection	Female thread
Female thread in mm	19.17
Female thread	G1/2
Flow volume at 5 bar l/min	25
Weight approx. g	970
PU units	1
Covering box units	20
Item no.	23.1880



Female thread connection



Teflon insulation

GEKA® cleaning guns

Spare parts
see
chapter 11

Advantage / benefit:**robust brass/stainless steel combination** guarantees a long service life
infinitely variable adjustment of jet power, lockable for continuous operation
GEKA® plus push-fit connector brass nickel-plated

Material:housing: brass; valve insert: stainless steel; rubber coating: EPDM

Operating pressure:**max. 24 bar**

Temperature range:.....max. 50 °C

Area of application:**for cleaning vehicles, sports equipment, garden furniture and small areas around the home**

GEKA® cleaning guns

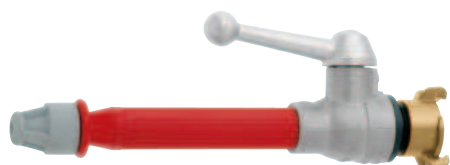
Connection	GEKA® plus push-fit connector
Flow volume at 5 bar l/min	25
Weight approx. g	870
PU units	1
Covering box units	12
Item no.	46.7002.8



Multipurpose jet pipe

- Advantage / benefit: **quick-acting control lever for full jet, spray jet and stop**
 infinitely variable quantity regulation
 2-part nozzle tip, unscrewable
- Material: aluminium; hand protection and 2-part nozzle tip: PA plastic;
 GEKA® plus quick coupling connection: brass
- Operating pressure: **approx. 5 bar, max. 16 bar**
- Seal: as standard with **GEKA® plus moulded seal rings, form 300 NBR (300C), patented, in GEKA® plus threaded connection piece;**
 temperature range from approx. -10 °C to +90 °C
- Jet type: full/spray jet
- Options: on request GEKA® plus high-performance moulded seal rings, form 300, patented, available in the materials EPDM (sealing ring E) and FKM (300V) as well as dirt filters, available for self-assembly
- Use: **throw length at 5 bar: full jet approx. 15 m, spray jet approx. 8 m, so particularly recommended for watering of large areas**

2



D fire brigade jet pipe DIN 14365

suitable for hose sizes from 3/8" to 1 1/2"

Nozzle tip hole approx. Ø mm	4
Connection	GEKA® plus
Operating pressure max. bar	16
Flow volume at 5 bar l/min	25
PU units	1
Item no.	23.1840

Multipurpose jet pipe, industrial version

- Advantage / benefit: **quick-action shift lever for full jet, spray jet and stop**
- Material: valve pipe and nozzle tip: aluminium; STORZ C connection: aluminium
- Operating pressure: **max. 10 bar**
- Jet type: full/spray jet



C jet pipe

Nozzle tip hole approx. Ø mm	9
Connection	Storz C
Operating pressure max. bar	10
Flow volume at 5 bar l/min	121
PU units	1
Item no.	23.1860

Gun-type spray nozzles

Gun-type spray nozzle

Advantage / benefit: **no water flow in handle, i.e. hypothermia or burning of hand impossible**
 infinitely variable adjustment of quantity
for hot and cold water

Handling: quick-action valve with locking clamp for continuous operation
 nozzle tip for fixing spray or jet power

Material: aluminium powder-coated;
 valve parts and nozzle tip: brass;
 spring: stainless steel

Seal: O-rings NBR

Female thread in mm	24.66
Female thread	G3/4
Nominal size	1/2"
PU units	1
Item no.	22.0381



2

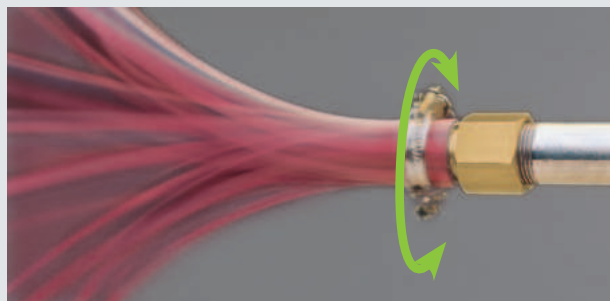
Gun-type spray nozzle

ergonomic ribbed handle
infinitely variable adjustment of water flow and jet power
 from full jet to spray mist
continuous locking possible

PU units	1
Covering box units	30
Item no.	46.0740



GEKA® plus threaded hose fittings 360 rotatable



4 major benefits

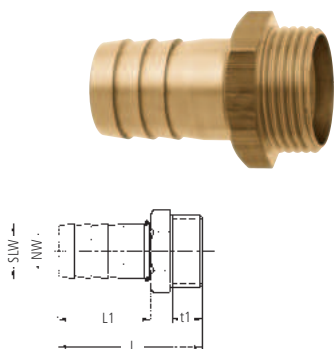
- 1 - Prevention of hose twisting
- 2 - Easy rotation of hose grommets and/or thread connections (female and male) **under load from pressure or suction**
- 3 - **Optimal hose protection and safety.** No motion-related dangerous hose kink
- 4 - Suitable for pressure and vacuum

3

Material:.....brass
 Operating pressure:.....max. 30 bar
 Vacuum resistance:.....up to 10 m water column (WS)
 Temperature range:.....approx. -5 °C to +100 °C (depending on the seal ring quality)
 Seal:.....as standard with NBR O-rings (temperature range -10 °C to + 90 °C) and V2A circlips, corrosion-resistant
 Area of application:.....for water, suction and high-pressure hoses

GEKA® plus threaded hose fittings 360 with male thread

Grommet with striking and hose protecting ribbed profile guarantees fixed hose fit. Flat sealing



Male thread in mm	20.95	26.44	26.44	26.44	33.25
Male thread	G1/2	G3/4	G3/4	G3/4	G1
Hose ID mm	13	13	16	19	25
Hose size	1/2"	1/2"	5/8"	3/4"	1"
Hexagon AF mm	21	30	30	30	36
Nominal width (NW) mm	10	10	13	15	21
t1 mm	10	10	10	10	12
L mm	42	45	52	53	58
L1 mm	17	26	29	32	37
PU units	10	10	10	10	10
Covering box units	320	300	300	160	100
Item no.	06.0751	06.0760	06.0762	06.0763	06.0784

Please note: Not suitable as slide bearing for continuous operation



GEKA® plus threaded hose fittings 360 rotatable



Material:.....brass; as standard with NBR O-rings (temperature range: -10 °C to + 90 °C) and V2A circlips, corrosion-resistant

Operating pressure:max. 30 bar

Vacuum resistance:..... up to 10 m water column (WS)

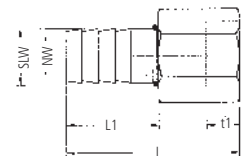
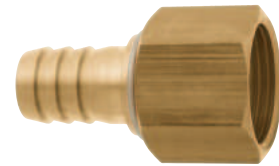
Temperature range:approx. -5 °C to +100 °C (depending on the seal ring quality)

Area of application:for water, suction and high-pressure hoses

GEKA® plus threaded hose fittings 360 with female thread

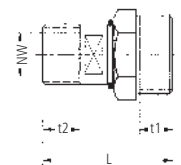
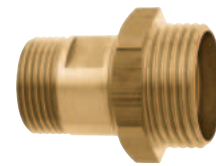
Grommet with striking and hose protecting ribbed profile guarantees fixed hose fit

Female thread in mm	24.66	24.66	30.93	30.93
Female thread	G3/4	G3/4	G1	G1
Hose ID mm	13	19	19	25
Hose size	1/2"	3/4"	3/4"	1"
AF mm	32	32	36	36
Nominal width (NW) mm	10	15	15	21
t1 mm	10	10	10	10
L mm	53	62	72	76
L1 mm	26	32	32	40
PU units	10	10	10	10
Covering box units	110	170	120	100
Item no.	06.2051	06.2513	06.2053	06.2534



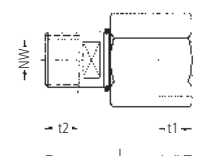
GEKA® plus thread nipples 360 with male thread

Male thread in mm	20.95	26.44
Male thread	G1/2	G3/4
Male thread in mm	26.44	33.25
Male thread	G3/4	G1
Hexagon AF mm	30	36
2 surfaces for AF mm	17	24
Nominal width (NW) mm	15	20
t1 mm	10	12
t2 mm	11	11
L mm	43	47
PU units	10	10
Covering box units	150	120
Item no.	06.1146	06.1148



GEKA® plus thread nipples 360 with female/male thread

Female thread in mm	24.66	30.93
Female thread	G3/4	G1
Male thread in mm	20.95	26.44
Male thread	G1/2	G3/4
AF mm	32	36
2 surfaces for AF mm	17	24
Nominal width (NW) mm	15	20
t1 mm	10	10
t2 mm	11	12
L mm	50	56
PU units	10	10
Covering box units	200	100
Item no.	06.3411	06.3413



Please note: Not suitable as slide bearing for continuous operation



GEKA® swivel nipples K for drinking water



Advantage / benefit:..... **swivel nipple fitted in the device to protect hoses from torsion and guarantee their durability**
suitable for use with drinking water: the components meet the criteria of the German drinking water regulation

Material:.....brass CW617N, seal made of EPDM

Operating pressure:max. 30 bar

Area of application: **for water, suction and pressure hoses which are moved periodically**
 In machine, plant, aggregate, vehicle, tool and pump construction, as well as in loading, filling and fuelling facilities or mixing stations. Also suitable for use with cleaning guns.



GEKA® swivel nipples K drinking water

Female thread in mm	19.17	24.66		
Female thread	G1/2	G3/4		
Male thread in mm	20.95	20.95	20.95	20.95
Male thread	G1/2	G1/2	G1/2	G1/2
Male thread in mm			20.95	26.44
Male thread			G1/2	G3/4
Nominal width (NW) mm	9	9	9	9
Approx. length in mm	40	40	46	48
S1 Hexagon AF mm	27	30	27	27
S2 Hexagon AF mm	27	27	27	27
PU units	5	5	5	5
Covering box units	150	150	150	150
Item no.	06.5100	06.5110	06.5120	06.5130

3

GEKA® swivel nipples E *stainless steel*

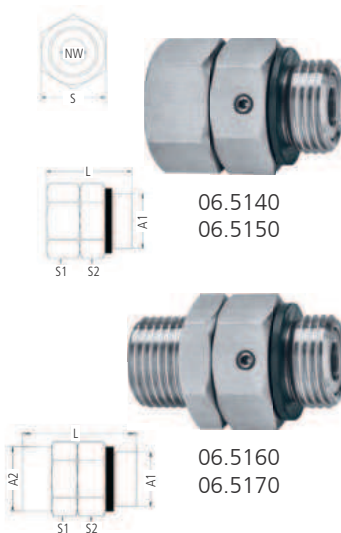


Advantage / benefit:..... **swivel nipple fitted in the device to protect hoses from torsion and guarantee their durability**

Material:.....stainless steel similar to 1.4401, seal made of FKM

Operating pressure:max. 30 bar

Area of application: **for water, suction and pressure hoses which are moved periodically**
 In machine, plant, aggregate, vehicle, tool and pump construction, as well as in loading, filling and fuelling facilities or mixing stations. Also suitable for use with cleaning guns.



GEKA® nipples joints E stainless steel

Female thread in mm	19.17	24.66		
Female thread	G1/2	G3/4		
Male thread in mm	20.95	20.95	20.95	20.95
Male thread	G1/2	G1/2	G1/2	G1/2
Male thread in mm			20.95	26.44
Male thread			G1/2	G3/4
Nominal width (NW) mm	9	9	9	9
Approx. length in mm	40	40	46	48
S1 Hexagon AF mm	27	30	27	27
S2 Hexagon AF mm	27	27	27	27
PU units	5	5	5	5
Covering box units	150	150	150	150
Item no.	06.5140	06.5150	06.5160	06.5170

Please note: Not suitable as slide bearing for continuous operation



GEKA® plus 1/3 threaded hose fittings

Advantage / benefit:.....grommet with raised end rib, and striking and hose protecting ribbed profile guarantees fixed hose fit

Material:.....brass

GEKA® plus 1/3 threaded hose fittings, heavy-duty version

with flange, flat sealing with use of flat seal ring

Male thread in mm	20.95	20.95	26.44	26.44	26.44
Male thread	G1/2	G1/2	G3/4	G3/4	G3/4
Hose ID mm	10	13	13	16	19
Hose size	3/8"	1/2"	1/2"	5/8"	3/4"
PU units	10	10	10	10	10
Covering box units	500	400	300	250	250
Item no.	25.1075	25.1751	25.1076	25.1077	25.1763

Male thread in mm	33.25	33.25	33.25	41.91	41.91
Male thread	G1	G1	G1	G1¼	G1¼
Hose ID mm	13	19	25	19	25
Hose size	1/2"	3/4"	1"	3/4"	1"
PU units	10	10	10	10	10
Covering box units	250	200	120	160	140
Item no.	25.1781	25.1078	25.1784	25.1793	25.1079



3

GEKA® plus 1/3 threaded hose fittings

with flange and O-ring NBR

Male thread in mm	20.95	26.44	26.44	33.25	33.25
Male thread	G1/2	G3/4	G3/4	G1	G1
Hose ID mm	13	13	19	19	25
Hose size	1/2"	1/2"	3/4"	3/4"	1"
PU units	10	10	10	10	10
Covering box units	500	300	250	250	200
Item no.	24.1751	24.1076	24.1763	24.1078	24.1784

Male thread in mm	41.91	41.91	47.80	47.80
Male thread	G1¼	G1¼	G1½	G1½
Hose ID mm	25	32	32	38
Hose size	1"	1¼"	1¼"	1½"
PU units	10	10	5	10
Covering box units	120	90	80	80
Item no.	24.1079	24.1794	24.1097	24.1797



GEKA® 1/3 threaded hose fittings

Advantage / benefit:.....grommet with hose protecting ribbed profile guarantees fixed hose fit, flat sealing with use of flat seal ring

Material:.....brass

GEKA® 1/3 threaded hose fittings

Male thread in mm	20.95	20.95	26.44	26.44	26.44	33.25
Male thread	G1/2	G1/2	G3/4	G3/4	G3/4	G 1
Hose ID mm	10	13	13	16	19	19
Hose size	3/8"	1/2"	1/2"	5/8"	3/4"	3/4"
PU units	10	10	10	10	10	10
Covering box units	500	500	500	500	350	250
Item no.	26.1075	26.1751	26.1076	26.1077	26.1763	26.1078

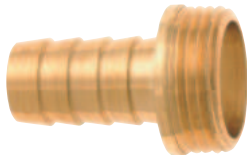
Male thread in mm	33.25	41.91	47.80	47.80	59.61
Male thread	G1	G1¼	G1½	G1½	G2
Hose ID mm	25	25	32	38	50
Hose size	1"	1"	1¼"	1½"	2"
PU units	10	10	5	5	5
Covering box units	250	200	100	100	40
Item no.	26.1784	26.1079	26.1097	26.1797	26.1178



1/3 threaded hose fittings CH, heavy-duty version

Advantage / benefit:.....grommet with hose protecting ribbed profile guarantees fixed hose fit, with flange, flat sealing with use of flat seal ring

Material:.....brass



1/3 threaded hose fittings CH

Special versions that are used particularly in Switzerland

Male thread in mm	20.95	20.95	20.95	26.44	26.44	26.44
Male thread	G1/2	G1/2	G1/2	G3/4	G3/4	G3/4
Hose ID mm	10	13	16	13	16	19
Hose size	3/8"	1/2"	5/8"	1/2"	5/8"	3/4"
PU units	10	10	10	10	10	10
Covering box units	500	450	500	500	300	350
Item no.	25.1074	25.1750	25.1757	25.1748	25.1747	25.1746

Male thread in mm	33.25	33.25	33.25	33.25	33.25
Male thread	G1	G1	G1	G1	G1
Hose ID mm	13	16	19	22	25
Hose size	1/2"	5/8"	3/4"	7/8"	1"
PU units	10	10	10	10	10
Covering box units	250	250	250	220	180
Item no.	25.1745	25.1787	25.1744	25.1743	25.1742

3

GEKA® plus 1/3 threaded hose fittings with hexagon

Advantage / benefit:.....grommet with hose protecting ribbed profile guarantees fixed hose fit

Material:.....brass

Seal:.....flat sealing with hexagon



Large wall thickness for enhanced safety

GEKA® plus 1/3 threaded hose fittings with male thread

Male thread in mm	16.66	16.66	16.66	20.95	20.95	20.95
Male thread	G3/8	G3/8	G3/8	G1/2	G1/2	G1/2
Hose ID mm	8	10	13	10	13	16
Hose size	1/4"	3/8"	1/2"	3/8"	1/2"	5/8"
PU units	10	10	10	10	10	10
Covering box units	500	500	500	400	350	360
Item no.	17.0248	17.0250	17.0251	17.0750	17.0751	17.0752

Male thread in mm	20.95	26.44	26.44	26.44	26.44	33.25
Male thread	G1/2	G3/4	G3/4	G3/4	G3/4	G1
Hose ID mm	19	13	16	19	25	19
Hose size	3/4"	1/2"	5/8"	3/4"	1"	3/4"
PU units	10	10	10	10	10	10
Covering box units	300	250	250	250	130	150
Item no.	17.0753	17.0760	17.0762	17.0763	17.0764	17.0780

Male thread in mm	33.25	33.25	33.25	33.25	41.91	41.91
Male thread	G1	G1	G1	G1	G1 1/4	G1 1/4
Hose ID mm	16	25	22	32	25	32
Hose size	5/8"	1"	7/8"	1 1/4"	1"	1 1/4"
PU units	10	10	10	10	10	10
Covering box units	200	150	150	100	80	60
Item no.	17.0782	17.0784	17.0785	17.0786	17.0790	17.0794

Male thread in mm	41.91	47.80	47.80	59.61	75.18	87.88	113.03
Male thread	G1 1/4	G1 1/2	G1 1/2	G2	G2 1/2	G3	G4
Hose ID mm	38	32	38	50	63	76	102
Hose size	1 1/2"	1 1/4"	1 1/2"	2"	2 1/2"	3"	4"
PU units	10	5	10	2	1	1	1
Covering box units	60	55	60	32	20	12	8
Item no.	88.1504	17.1097	17.0797	17.0799	17.1125	17.1130	17.1140

GEKA® 1/3 threaded hose fittings with hexagon, light version

Advantage / benefit:.....grommet with hose protecting ribbed profile guarantees fixed hose fit

Material:.....brass

Seal:flat sealing with hexagon

GEKA® 1/3 threaded hose fittings with male thread, light version

Male thread in mm	16.66	16.66	16.66	20.95	20.95	20.95
Male thread	G3/8	G3/8	G3/8	G1/2	G1/2	G1/2
Hose ID mm	8	10	13	10	13	16
Hose size	1/4"	3/8"	1/2"	3/8"	1/2"	5/8"
PU units	10	10	10	10	10	10
Covering box units	550	700	600	600	500	400
Item no.	17.0258	17.0260	17.0261	17.7500	17.7501	17.7502

Male thread in mm	20.95	26.44	26.44	26.44	26.44	33.25
Male thread	G1/2	G3/4	G3/4	G3/4	G3/4	G1
Hose ID mm	19	13	16	19	25	19
Hose size	3/4"	1/2"	5/8"	3/4"	1"	3/4"
PU units	10	10	10	10	10	10
Covering box units	330	400	350	260	200	200
Item no.	17.7503	17.7600	17.7602	17.7603	17.7604	17.7800

Male thread in mm	33.25	33.25	41.91	47.80	59.61
Male thread	G1	G1	G1¼	G1½	G2
Hose ID mm	25	32	32	38	50
Hose size	1"	1¼"	1¼"	1½"	2"
PU units	10	10	10	10	2
Covering box units	100	130	100	70	36
Item no.	17.7804	17.7806	17.7904	17.7909	17.7990



3

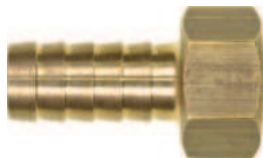


GEKA® plus 1/3 threaded hose fittings with hexagon

Advantage / benefit:.....grommet with striking and hose protecting ribbed profile guarantees fixed hose fit

Material:.....brass

Seal:.....flat sealing



GEKA® plus 1/3 threaded hose fittings with female thread

with hexagon

Female thread in mm	19.17	24.66	24.66	24.66	30.93	30.93	30.93
Female thread	G1/2	G3/4	G3/4	G3/4	G1	G1	G1
Hose ID mm	13	13	16	19	13	19	25
Hose size	1/2"	1/2"	5/8"	3/4"	1/2"	3/4"	1"
PU units	10	10	10	10	10	10	10
Covering box units	300	250	240	250	250	200	100
Item no.	17.0501	17.0510	17.0520	17.0513	17.0531	17.0530	17.0534

GEKA® plus 2/3 threaded hose fittings

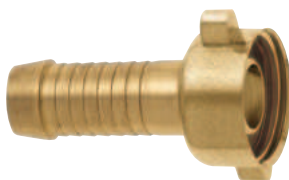
Advantage / benefit:grommet with raised end rib, and striking and hose protecting ribbed profile guarantees fixed hose fit

Material:.....brass

Seal:.....flat sealing with seal ring

Special note:.....versions 25.2513 and 25.2534 - grommet without raised end rib

3



GEKA® plus 2/3 threaded hose fittings

Nut thread in mm	19.17	19.17	24.66	24.66	24.66	
Nut thread	G1/2	G1/2	G3/4	G3/4	G3/4	
Hose ID mm	10	13	10	13	16	
Hose size	3/8"	1/2"	3/8"	1/2"	5/8"	
PU units	10	10	10	10	10	
Covering box units	500	400	250	300	250	
Item no.	25.2150	25.2501	25.2510	25.2051	25.2052	
Nut thread in mm	24.66	30.93	30.93	30.93	39.59	39.59
Nut thread	G3/4	G1	G1	G1	G1 1/4	G1 1/4
Hose ID mm	19	13	19	25	19	25
Hose size	3/4"	1/2"	3/4"	1"	3/4"	1"
PU units	10	10	10	5	5	5
Covering box units	200	250	150	100	120	100
Item no.	25.2513	25.2531	25.2053	25.2534	25.2543	25.2054

GEKA® 2/3 threaded hose fittings, chrome-plated

Advantage / benefit:.....grommet with striking and hose protecting ribbed profile guarantees fixed hose fit

Material:.....brass, chrome-plated

Seal:.....flat sealing with seal ring



GEKA® 2/3 threaded hose fittings, chrome-plated

Nut thread in mm	24.66	30.93
Nut thread	G3/4	G1
Hose ID mm	13	19
Hose size	1/2"	3/4"
PU units	10	10
Covering box units	400	200
Item no.	26.4051	26.4053

GEKA® 2/3 threaded hose fittings

Advantage / benefit:.....grommet with striking and hose protecting ribbed profile guarantees fixed hose fit

Material:.....brass

Seal:flat sealing with seal ring

GEKA® 2/3 threaded hose fittings

Nut thread in mm	19.17	19.17	24.66	24.66	24.66
Nut thread	G1/2	G1/2	G3/4	G3/4	G3/4
Hose ID mm	10	13	10	13	16
Hose size	3/8"	1/2"	3/8"	1/2"	5/8"
PU units	10	10	10	10	10
Covering box units	500	400	500	400	300
Item no.	26.2050	26.2501	26.2510	26.2051	26.2052

Nut thread in mm	24.66	30.93	30.93	30.93	39.59
Nut thread	G3/4	G1	G1	G1	G1¼
Hose ID mm	19	13	19	25	25
Hose size	3/4"	1/2"	3/4"	1"	1"
PU units	10	10	10	10	10
Covering box units	300	230	200	200	100
Item no.	26.2513	26.2531	26.2053	26.2534	26.2054

Nut thread in mm	39.59	45.48	45.48	51.43	57.29
Nut thread	G1¼	G1½	G1½	G1¾	G2
Hose ID mm	32	32	38	38	50
Hose size	1¼"	1¼"	1½"	1½"	2"
PU units	5	10	5	5	5
Covering box units	100	60	80	60	25
Item no.	26.2544	26.2154	26.2547	26.2157	26.2599



3

2/3 threaded hose fittings CH, heavy-duty version

Advantage / benefit:.....grommet with hose protecting ribbed profile guarantees fixed hose fit

Material:.....brass

Seal:flat sealing with seal ring

2/3 threaded hose fittings CH

Special versions that are used particularly in Switzerland

Nut thread in mm	15.39	15.39	19.17	19.17	19.17
Nut thread	G3/8	G3/8	G1/2	G1/2	G1/2
Hose ID mm	10	13	10	13	16
Hose size	3/8"	1/2"	3/8"	1/2"	5/8"
PU units	10	10	10	10	10
Covering box units	500	500	300	300	400
Item no.	25.2048	25.2046	25.2047	25.2901	25.2902

Nut thread in mm	24.66	24.66	24.66	30.93	30.93
Nut thread	G3/4	G3/4	G3/4	G1	G1
Hose ID mm	13	16	19	13	16
Hose size	1/2"	5/8"	3/4"	1/2"	5/8"
PU units	10	10	10	10	10
Covering box units	200	200	180	200	150
Item no.	25.2851	25.2852	25.2903	25.2045	25.2904

Nut thread in mm	30.93	30.93	30.93	39.59
Nut thread	G1	G1	G1	G1¼
Hose ID mm	19	22	25	25
Hose size	3/4"	7/8"	1"	1"
PU units	10	10	10	10
Covering box units	120	200	150	80
Item no.	25.2853	25.2044	25.2043	25.2042



2/3 threaded hose fittings CH, light version

Advantage / benefit:.....grommet with striking and hose protecting ribbed profile guarantees fixed hose fit

Material:.....brass

Seal:.....flat sealing with seal ring



2/3 threaded hose fittings CH

Special versions that are used particularly in Switzerland

Nut thread in mm	19.17	19.17	24.66	24.66
Nut thread	G1/2	G1/2	G3/4	G3/4
Hose ID mm	13	16	13	16
Hose size	1/2"	5/8"	1/2"	5/8"
PU units	10	10	10	10
Covering box units	340	350	300	250
Item no.	25.2701	25.2702	25.2651	25.2652

Nut thread in mm	24.66	30.93	30.93	30.93
Nut thread	G3/4	G1	G1	G1
Hose ID mm	19	16	19	25
Hose size	3/4"	5/8"	3/4"	1"
PU units	10	10	10	10
Covering box units	200	200	150	130
Item no.	25.2703	25.2704	25.2653	25.2705

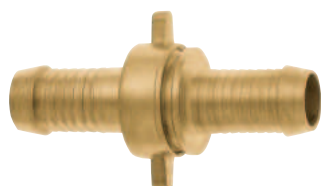
3

GEKA® plus 3/3 threaded hose fittings

Advantage / benefit:.....grommets with striking and hose protecting ribbed profile guarantee fixed hose fit

Material:.....brass

Seal:.....flat sealing with seal ring



GEKA® plus 3/3 threaded hose fittings

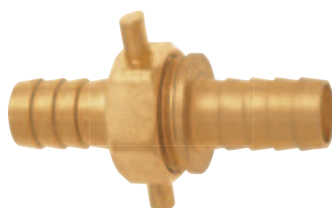
Nut thread in mm	24.66	30.93	39.59
Nut thread	G3/4	G1	G1¼
Hose ID mm	13	19	25
Hose size	1/2"	3/4"	1"
PU units	10	10	1
Covering box units	160	100	50
Item no.	25.3071	25.3073	25.3074

3/3 threaded hose fittings CH, heavy-duty version

Advantage / benefit:.....grommets with striking and hose protecting ribbed profile guarantee fixed hose fit

Material:.....brass

Seal:.....flat sealing with shaped seal



3/3 threaded hose fittings CH

Special versions that are used particularly in Switzerland

Nut thread in mm	24.66	24.66	24.66	30.93
Nut thread	G3/4	G3/4	G3/4	G1
Hose ID mm	13	16	19	19
Hose size	1/2"	5/8"	3/4"	3/4"
PU units	10	10	10	10
Covering box units	300	140	120	100
Item no.	25.3068	25.3066	25.3064	25.3063

GEKA® 3/3 threaded hose fittings

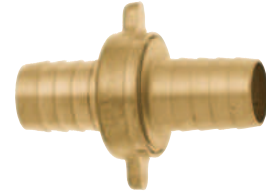
Advantage / benefit:.....grommets with hose protecting ribbed profile guarantee fixed hose fit

Material:.....brass

Seal:flat sealing with seal ring

GEKA® 3/3 threaded hose fittings

Nut thread in mm	24.66	30.93	39.59
Nut thread	G3/4	G1	G1¼
Hose ID mm	13	19	25
Hose size	1/2"	3/4"	1"
PU units	10	10	10
Covering box units	200	120	100
Item no.	26.3071	26.3073	26.3074



GEKA® 2/3 angular threaded hose fittings

Advantage / benefit:.....grommet with striking and hose protecting ribbed profile guarantees fixed hose fit

Material:.....brass / brass chrome-plated

Seal:flat sealing with seal ring

GEKA® 2/3 angular threaded hose fittings

Nut thread in mm	19.17	19.17	24.66	24.66	30.93
Nut thread	G1/2	G1/2	G3/4	G3/4	G1
Hose ID mm	10	13	10	13	19
Hose size	3/8"	1/2"	3/8"	1/2"	3/4"
PU units	10	10	10	10	10
Covering box units	300	300	250	250	200
Item no.	28.2050	28.2501	28.2510	28.2051	28.2053



GEKA® 2/3 angular threaded hose fittings, chrome-plated

Nut thread in mm	24.66	30.93
Nut thread	G3/4	G1
Hose ID mm	13	19
Hose size	1/2"	3/4"
PU units	10	10
Covering box units	250	150
Item no.	28.4051	28.4053



GEKA® 2/3 angular threaded hose fitting *plastic*

Advantage / benefit:.....grommet with striking and hose protecting ribbed profile guarantees fixed hose fit

Material:.....plastic PP GF25

Seal:flat sealing with seal ring

GEKA® 2/3 angular threaded hose fittings

Nut thread in mm	24.66	24.66
Nut thread	G3/4	G3/4
Hose ID mm	10	13
Hose size	3/8"	1/2"
PU units	10	10
Covering box units	250	300
Item no.	28.6510	28.6051



3

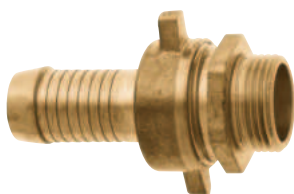


GEKA® plus stand pipe fittings

Advantage / benefit:.....**simplifies assembly with pipe-to-hose connections**
grommet with raised end rib and hose protecting ribbed profile
guarantees fixed hose fit

Material:.....brass

Seal:.....flat sealing with seal ring



GEKA® plus stand pipe fittings with male thread

Nut thread in mm	24.66	30.93	39.59
Nut thread	G3/4	G1	G1¼
Male thread in mm	20.95	26.44	33.25
Male thread	G1/2	G3/4	G1
Hose ID mm	13	19	25
Hose size	1/2"	3/4"	1"
Hexagon AF mm	27	34	41
PU units	10	10	10
Covering box units	150	80	50
Item no.	31.0046	31.0048	31.0049

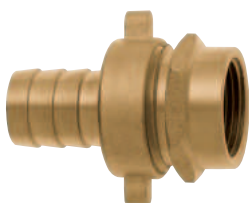
3

GEKA® stand pipe fittings

Advantage / benefit:.....**simplifies assembly with pipe-to-hose connections**
grommet with hose protecting ribbed profile guarantees fixed hose fit

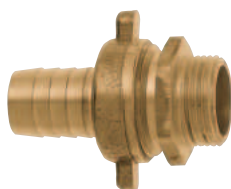
Material:.....brass

Seal:.....flat sealing with seal ring



GEKA® stand pipe fittings with female thread

Nut thread in mm	24.66	30.93	39.59
Nut thread	G3/4	G1	G1¼
Female thread in mm	19.17	24.66	30.93
Female thread	G1/2	G3/4	G1
Hose ID mm	13	19	25
Hose size	1/2"	3/4"	1"
Hexagon AF mm	27	34	41
PU units	10	10	10
Covering box units	200	120	60
Item no.	31.4100	31.4300	31.4400



GEKA® stand pipe fittings with male thread

Nut thread in mm	24.66	30.93	39.59	45.48	51.43
Nut thread	G3/4	G1	G1¼	G1½	G1¾
Male thread in mm	20.95	26.44	33.25	41.91	47.80
Male thread	G1/2	G3/4	G1	G1¼	G1½
Hose ID mm	13	19	25	32	38
Hose size	1/2"	3/4"	1"	1¼"	1½"
Hexagon AF mm	27	34	41	50	55
PU units	10	10	10	5	1
Covering box units	200	100	60	40	21
Item no.	31.4600	31.4800	31.4900	31.5096	31.5097

GEKA® plus threaded connector fittings

Advantage / benefit:.....grommet with striking and hose protecting ribbed profile guarantees fixed hose fit

Material:.....brass

Seal:flat sealing with seal ring

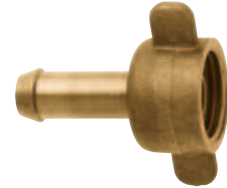
Area of application:for pest control devices, among other things

Special note:.....versions 58.4621 and 58.4651 with extra-long grommet and 2 raised ribs

GEKA® plus threaded connector fittings

With heavy-duty toggle cap nut.

Nut thread in mm	19.17	19.17	19.17	19.17
Nut thread	G1/2	G1/2	G1/2	G1/2
Hose ID mm	10	10	13	13
Hose size	3/8"	3/8"	1/2"	1/2"
PU units	10	10	10	10
Covering box units	300	350	370	350
Item no.	58.4620	58.4621	58.4650	58.4651



GEKA® plus spare parts for threaded hose connections

3

GEKA® plus cap dirt strainer for threaded hose connections

Material:.....fabric: V2A; flat seal ring: PE plastic

PU units	10
Covering box units	1500
Item no.	50.5252



GEKA® plus flat seal rings for 2/3 threaded hose fittings

Material:.....NBR

For Item no.	25.2150, 25.2050, 25.2501, 25.2970, 28.2050, 28.4050, 28.2501, 28.4501	25.2051, 25.2052, 25.2510, 25.2513, 25.2651, 25.3071, 25.4051, 26.2051, 28.2051, 28.2510, 28.4051, 28.4510, 28.6051, 28.6510
Dimensions approx. mm	17 x 11 x 1.5	23 x 14.8 x 1.55
PU units	50	50
Item no.	25.5050	25.5051



For Item no.	25.2561, 25.4531, 25.2053, 25.4053, 25.2534, 25.3073, 26.2053, 28.2053, 28.4053	25.2543, 25.2054, 25.3074
Dimensions mm	29 x 20 x 1.5	38 x 25 x 2
PU units	50	50
Item no.	25.5053	25.5054

GEKA® flat seal rings for 2/3 threaded hose fittings

Material:.....NBR

For Item no.	26.2050, 26.2501	26.2054, 26.3074	26.2544	26.2154, 26.2547	26.2157	26.2599
Dimensions approx. mm	17 x 12 x 2	38 x 25 x 2	38.5 x 29 x 2	43 x 32 x 2	50 x 40 x 2	55 x 48 x 2
PU units	50	50	10	10	1	1
Item no.	26.5050	26.5054	26.5155	26.5154	26.5157	26.5599



GEKA® plus hose fittings

Advantage / benefit:.....with raised end rib, and striking and hose protecting ribbed profile guarantees fixed hose fit
Material:.....brass



GEKA® plus hose fittings, heavy-duty, brass

Hose ID mm	5 - 6	10	13	19 x 13	19	25	32
Hose size	1/4"	3/8"	1/2"	3/4" x 1/2"	3/4"	1"	1 1/4"
Approx. length in mm	43	43	61	63	66	84	110
PU units	10	10	10	10	10	10	10
Covering box units	1600	1000	500	400	250	130	50
Item no.	32.0031	32.0034	32.0061	32.0631	32.0063	32.0064	32.0066

GEKA® plus hose fittings *plastic*

Advantage / benefit:.....with raised end rib, and striking and hose protecting ribbed profile guarantees fixed hose fit
Material:.....HDPE plastic

GEKA® plus hose fittings, plastic



Hose ID mm	13	19
Hose size	1/2"	3/4"
Approx. length in mm	60	63
PU units	10	10
Covering box units	1000	500
Item no.	32.2061	32.2063

3

GEKA® hose fittings

Advantage / benefit:.....with hose protecting ribbed profile guarantees fixed hose fit
Material:.....brass / brass plate



GEKA® hose fittings, brass

Hose ID mm	10	13	16	19 x 13	19
Hose size	3/8"	1/2"	5/8"	3/4" x 1/2"	3/4"
Approx. length in mm	50	55	55	55	55
PU units	10	10	10	10	10
Covering box units	1000	500	500	250	300
Item no.	32.1060	32.1061	32.1062	32.1631	32.1063

Hose ID mm	25	32	38	22	50
Hose size	1"	1 1/4"	1 1/2"	7/8"	2"
Approx. length in mm	55	68	85	50	88
PU units	10	10	5	10	5
Covering box units	200	100	60	250	35
Item no.	32.1064	32.1066	32.1067	32.1068	32.1069



GEKA® hose fittings, light, brass plate

Hose ID mm	10	13	19	25
Hose size	3/8"	1/2"	3/4"	1"
Approx. length in mm	50	50	50	59
PU units	20	20	20	20
Covering box units	1000	500	440	400
Item no.	32.8510	32.8513	32.8519	32.8525

Hose fittings *plastic*

Advantage / benefit:.....guarantees fixed hose fit

Material:.....POM plastic

Hose fittings, straight, plastic

Hose ID mm	4	6	8	10	12	19
Hose size	-	1/4"	-	3/8"	-	3/4"
Length mm	35	49	56	63	66.5	76
Quantity per PU units	4	4	4	4	2	2
PU units	10	10	10	10	10	10
Covering box units	750	300	300	250	200	200
Item no.	32.2704.99	32.2706.99	32.2708.99	32.2710.99	32.2712.99	32.2719.99



Hose fittings, Y, plastic

Hose ID mm	4	6	8	10	12	19
Hose size	-	1/4"	-	3/8"	-	3/4"
Length mm	25.5	44	51	54	64	72
Quantity per PU units	2	2	2	2	1	1
PU units	10	10	10	10	20	20
Covering box units	1000	500	350	250	240	200
Item no.	32.3204.99	32.3206.99	32.3208.99	32.3210.99	32.3212.99	32.3219.99



3



GEKA® rain barrel connections

Advantage / benefit:for connecting bibcocks or hose fittings

Material:brass

Seal:flat sealing with seal ring

GEKA® rain barrel connection set grommet

Advantage / benefit:.....**for installation at rain barrels**

Material:.....rain barrel connection: brass; hose clamp: stainless steel, hexagon screw: steel chromated; sealing tape roller: Teflon

Scope of delivery: 1 x rain barrel connection; 1 x 1/3 threaded hose fitting; 1 x hose clamp; 1 x sealing tape roller

Packaging	Single product in PE pouch with euro holes, packaging unit with blister strip	
for hole diameter mm	34 - 37	
Male thread in mm	33.25	
Male thread	G1	
Hose ID mm	25	
Hose size	1"	
PU units	6	
Item no.	30.0024.8	



3

GEKA® rain barrel connector set

Advantage / benefit:.....**for connecting rain barrels**

Material:.....suction/pressurised spiral hose: plastic PVC green; rain barrel connection: brass; hose clamps: stainless steel, hexagon screw: steel chromated

Scope of delivery: 1 x 25 cm suction/pressurised spiral hose 1"; 2 x rain barrel connection female thread 3/4 x male thread 1; 2 x 2/3 threaded hose fitting female thread G1; 2 x hose clamps 20-32 mm

Packaging	Single product in PE pouch with euro holes, packaging unit with blister strip	
for hole diameter mm	34 - 37	
Male thread in mm	33.25	
Male thread	G1	
Hose ID mm	25	
Hose size	1"	
Hose length approx. m	0.25	
PU units	6	
Item no.	30.0030.8	



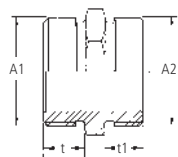
GEKA® rain barrel connections

Female thread in mm	19.17	24.66
Female thread	G1/2	G3/4
Male thread in mm	26.44	33.25
Male thread	G3/4	G1
PU units	10	10
Covering box units	200	120
Item no.	30.0021.9	30.0023.9



GEKA® thread nipples

Material:.....brass, flat sealing



GEKA® thread nipples with male thread

Male thread in mm	9.73	9.73	13.16	13.16	13.16	16.66	16.66
Male thread A1	G1/8	G1/8	G1/4	G1/4	G1/4	G3/8	G3/8
Male thread in mm	9.73	13.16	13.16	16.66	20.95	16.66	20.95
Male thread A2	G1/8	G1/4	G1/4	G3/8	G1/2	G3/8	G1/2
Hexagon AF mm	10	14	14	17	22	17	22
t mm	8	8	9	8	8	9	9
t1 mm	8	9	9	9	9	9	10
PU units	10	10	10	10	10	10	10
Item no.	73.4000	73.4011	73.4001	73.4012	73.4013	73.4002	73.4014

Male thread in mm	16.66	20.95	20.95	20.95	26.44	26.44	33.25
Male thread A1	G3/8	G1/2	G1/2	G1/2	G3/4	G3/4	G1
Male thread in mm	26.44	20.95	26.44	33.25	26.44	33.25	33.25
Male thread A2	G3/4	G1/2	G3/4	G1	G3/4	G1	G1
Hexagon AF mm	27	21	27	34	27	34	34
t mm	9	10	10	10	11	11	12
t1 mm	10	10	10	13	11	12	12
PU units	10	10	10	10	10	10	10
Item no.	73.4015	30.0401	30.1146	73.4017	30.0403	30.1148	30.0404

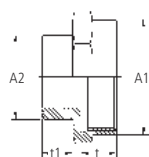
Male thread in mm	33.25	41.91	41.91	47.80	47.80	47.80	59.61
Male thread A1	G1	G1¼	G1¼	G1½	G1½	G1½	G2
Male thread in mm	41.91	41.91	47.80	47.80	53.74	59.61	59.61
Male thread A2	G1¼	G1¼	G1½	G1½	G1¾	G2	G2
Hexagon AF mm	41	41	50	50	55	63	63
t mm	12	16	15	19	18	19	22
t1 mm	14	16	18	19	21	22	22
PU units	10	10	5	10	1	1	1
Item no.	30.1149	30.0406	30.1496	30.0407	30.1495	30.1497	30.0409

GEKA® thread nipples with female and male thread

Flat seal at female thread side

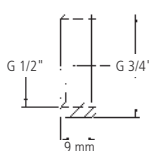
Female thread in mm	11.89	15.39	15.39	19.17	19.17
Female thread A1	G1/4	G3/8	G3/8	G1/2	G1/2
Male thread in mm	16.66	13.16	20.95	16.66	26.44
Male thread A2	G3/8	G1/4	G1/2	G3/8	G3/4
Hexagon AF mm	17	21	21	24	27
t mm	10	10	10	10	11
t1 mm	11	11	12	11	10
PU units	10	10	10	10	10
Item no.	30.2139	30.3309	30.2140	30.3410	30.2141

Female thread in mm	24.66	24.66	30.93	30.93	39.59
Female thread A1	G3/4	G3/4	G1	G1	G1¼
Male thread in mm	20.95	33.25	26.44	41.91	33.25
Male thread A2	G1/2	G1	G3/4	G1¼	G1
Hexagon AF mm	29	34	36	41	45
t mm	10	11	12	12	14
t1 mm	10	12	11	14	12
PU units	10	10	10	10	10
Item no.	30.3411	30.2143	30.3413	30.2144	30.3414



GEKA® thread ring

Material:.....brass



GEKA® thread ring

Female thread	G1/2 (19.17 mm)
Male thread	G3/4 (26.44 mm)
PU units	10
Covering box units	800
Item no.	55.5009

Intermediate valves

Advantage / benefit:.....spring-loaded valve, functional in any installation position

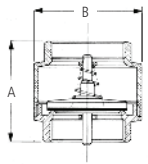
Material:.....brass; closing spring: stainless steel

Operating temperature:.....water from 0 °C to + 90 °C, air from -20 °C to +100 °C

Intermediate valves

Valve disc made from plastic nylon

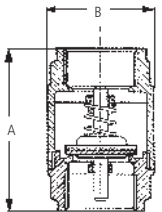
Female thread in mm	15.39	19.17	24.66	30.93	39.59
Female thread	G3/8	G1/2	G3/4	G1	G1¼
Operating pressure max. bar	12	12	12	12	10
A mm	46	47	53	60	66
B mm	34	34	42	47	59
PU units	10	10	8	8	6
Covering box units	80	200	96	56	72
Item no.	18.2690	18.2691	18.2693	18.2694	18.2696
Female thread in mm	45.48	57.29	72.86	85.56	110.71
Female thread	G1½	G2	G2½	G3	G4
Operating pressure max. bar	10	10	8	8	8
A mm	74	80	98	103	118
B mm	71	86	120	125	155
PU units	4	2	1	1	1
Covering box units	36	36	16	3	6
Item no.	18.2697	18.2699	18.7625	18.7630	18.7640



Intermediate valves, heavy-duty version

Spring-loaded valve disc made from stainless steel

Female thread in mm	15.39	19.17	24.66	30.93	39.59
Female thread	G3/8	G1/2	G3/4	G1	G1¼
Operating pressure max. bar	25	25	25	25	18
A mm	55	58.5	65	74.5	83
B mm	34.5	34.5	41.5	48	60.5
PU units	10	10	8	6	8
Covering box units	-	100	96	54	36
Item no.	18.5690	18.5691	18.5693	18.5694	18.5696
Female thread in mm	45.48	57.29	72.86	85.56	110.71
Female thread	G1½	G2	G2½	G3	G4
Operating pressure max. bar	18	18	12	12	12
A mm	93	101	122	141.5	158.5
B mm	71	87	120	140.5	172.5
PU units	4	2	1	1	1
Covering box units	40	20	9	6	6
Item no.	18.5697	18.5699	18.5625	18.5630	18.5640



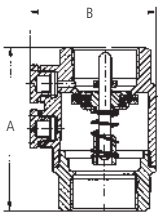
Spare parts
see
chapter 11

Intermediate valves, heavy-duty version, with draining bolt

Spring-loaded valve disc made from stainless steel.

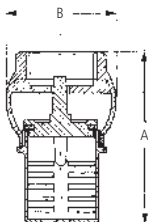
Two draining bolts

Female thread in mm	24.66	30.93	39.59	45.48
Female thread	G3/4	G1	G1¼	G1½
Female thread in mm	24.66	30.93	39.59	45.48
Female thread	G3/4	G1	G1¼	G1½
Operating pressure max. bar	25	25	18	18
A mm	69.5	79	84	93.5
B mm	56	62	74	84.5
PU units	8	6	4	4
Covering box units	-	36	25	-
Item no.	18.5793	18.5794	18.5796	18.5797



Foot valves

Advantage / benefit:..... **filters and prevents emptying of hose after switching off the pump**
 Material:.....brass
 Operating temperature:.....water from 0 °C to + 90 °C
 Seal:.....NBR seal, flat seal ring FIBER between valve body and strainer



Foot valves

Strainer as protection against coarse dirt (unscrewable) with slots
 Valve is not spring-loaded

Female thread in mm	19.17	24.66	30.93	39.59	45.48
Female thread	G1/2	G3/4	G1	G1¼	G1½
Operating pressure max. bar	10	10	10	8	8
A mm	63	71	80	93	103
B mm	39	45	51	61	68
PU units	12	18	12	5	3
Covering box units	-	108	96	60	30
Item no.	15.0691	15.0693	15.0694	15.0696	15.0697

Female thread in mm	57.29	72.86	85.56	110.71
Female thread	G2	G2½	G3	G4
Operating pressure max. bar	8	6	6	6
A mm	117	140	173	194
B mm	80	100	121	145
PU units	2	1	1	1
Covering box units	26	6	8	4
Item no.	15.0699	15.6250	15.6300	15.6400

3



Foot valve prevents emptying of hose after switching off the pump



Assembly note

Foot valves

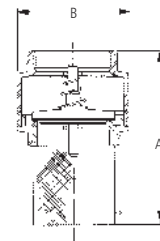
Advantage / benefit:..... **filters and prevents emptying of hose after switching off the pump**
 Material:..... brass; **strainer fabric: stainless steel**;
 valve body: nylon with NBR seal
 Operating temperature:..... water from 0 °C to + 90 °C

Foot valves with stainless steel strainer

Strainer as protection against dirt particles, fixed to valve body.
 Spring-loaded valve, functional in any installation position

Female thread in mm	19.17	24.66	30.93	39.59	45.48
Female thread	G1/2	G3/4	G1	G1¼	G1½
Operating pressure max. bar	10	10	10	8	8
A mm	69	82	91	108	119
B mm	34	42	47	59	71
PU units	10	8	8	6	4
Covering box units	-	42	48	35	48
Item no.	16.1691	16.1693	16.1694	16.1696	16.1697

Female thread in mm	57.29	72.86	85.56	110.71
Female thread	G2	G2½	G3	G4
Operating pressure max. bar	8	6	6	6
A mm	136	164	184	214
B mm	86	102	125	155
PU units	2	1	1	1
Covering box units	26	8	15	4
Item no.	16.1699	16.6625	16.6630	16.6640



3

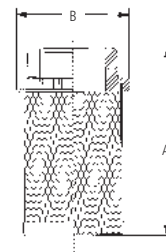
Strainers

Material:..... fine-meshed **fabric: stainless steel 1.4306**;
 flange and thread: plastic nylon

Strainers

Male thread in mm	16.66	20.95	26.44	33.25	41.91
Male thread	G3/8	G1/2	G3/4	G1	G1¼
A mm	42	47	57	69	75
B mm	22.5	28	33	41.5	50
PU units	30	30	10	10	5
Covering box units	-	360	80	100	50
Item no.	16.6900	16.6910	16.6930	16.6940	16.6960

Male thread in mm	47.80	59.61	75.18	87.88	113.03
Male thread	G1½	G2	G2½	G3	G4
A mm	83	98	123	138	152.5
B mm	55	68	86	102	129
PU units	10	4	1	1	1
Covering box units	140	76	42	24	12
Item no.	16.6970	16.6990	16.6250	16.6300	16.6400



GEKA® plus push-fit system

Advantage / benefit: **high-quality, sturdy push-fit system made of chrome-plated brass can be combined with all common push-fit systems and hose types unrivalled durability and easy to operate**

Area of application: for garden, house, workshop, etc.



GEKA® plus hose pieces

Hose ID mm	13	13	16	16	19	19
Hose size	1/2"	1/2"	5/8"	5/8"	3/4"	3/4"
Packaging	On card	EAN-flag	On card	EAN-flag	On card	EAN-flag
PU units	5	5	5	5	5	5
Item no.	46.0801.8	46.0801.9	46.0802.8	46.0802.9	46.0803.8	46.0803.9

4



GEKA® plus hose pieces with water-stop

With water-stop for easy swapping of devices

Hose ID mm	13	13	16	16	19	19
Hose size	1/2"	1/2"	5/8"	5/8"	3/4"	3/4"
Packaging	On card	EAN-flag	On card	EAN-flag	On card	EAN-flag
PU units	5	5	5	5	5	5
Item no.	46.0841.8	46.0841.9	46.0842.8	46.0842.9	46.0843.8	46.0843.9

Spare parts
see
chapter 11



GEKA® plus hose piece with ball valve

For infinitely variable regulation and shut-off of water flow.
Used at hose end: Easy swapping of end devices, particularly under pressure

Hose LW mm	13	13
Hose size	1/2"	1/2"
Packaging	On card	EAN-flag
PU units	5	5
Item no.	46.0851.8	46.0851.9



GEKA® plus hose connectors

Hose ID mm	13	13	16	16	19	19
Hose size	1/2"	1/2"	5/8"	5/8"	3/4"	3/4"
Packaging	On card	EAN-flag	On card	EAN-flag	On card	EAN-flag
PU units	5	5	5	5	5	5
Item no.	46.0861.8	46.0861.9	46.0862.8	46.0862.9	46.0863.8	46.0863.9

GEKA® plus push-fit system

Advantage / benefit: **high-quality, sturdy push-fit system made of chrome-plated brass can be combined with all common push-fit systems and hose types unrivalled durability and easy to operate**

Area of application: for garden, house, workshop, etc.

GEKA® plus tap plug

Female thread in mm	19.17	19.17	24.66	24.66	30.93	30.93
Female thread	G1/2	G1/2	G3/4	G3/4	G1	G1
Packaging	On card	EAN-flag	On card	EAN-flag	On card	EAN-flag
PU units	5	5	5	5	5	5
Item no.	46.0810.8	46.0810.9	46.0811.8	46.0811.9	46.0813.8	46.0813.9



GEKA® plus basic set

Practical basic set incl. all necessary connectors.
Comprising: GEKA® plus tap plug G3/4 (46.0811), GEKA® plus hose piece 1/2" (46.0801) and GEKA® plus hose piece with water stop 1/2" (46.0841)

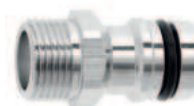
Packaging	On card
PU units	5
Item no.	46.0887.8



4

GEKA® plus device plug

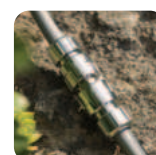
Male thread in mm	16.66	16.66	20.95	20.95
Male thread	G3/8	G3/8	G1/2	G1/2
Packaging	On card	EAN-flag	On card	EAN-flag
PU units	5	5	5	5
Item no.	46.1809.8	46.1809.9	46.1810.8	46.1810.9



Male thread in mm	26.44	26.44	33.25	33.25
Male thread	G3/4	G3/4	G1	G1
Packaging	#	EAN-flag	On card	EAN-flag
PU units	5	5	5	5
Item no.	46.1811.8	46.1811.9	46.1830.8	46.1830.9

GEKA® plus connector plug

Packaging	On card	EAN-flag
PU units	5	5
Item no.	46.0817.8	46.0817.9



GEKA® plus Y branch plug

Packaging	On card	EAN-flag
PU units	5	5
Item no.	46.0877.8	46.0877.9



GEKA® plus push-fit system

Advantage / benefit: **high-quality, sturdy push-fit system made of chrome-plated brass can be combined with all common push-fit systems and hose types unrivalled durability and easy to operate**

Area of application: for garden, house, workshop, etc.



GEKA® plus connection set

For example, for connecting to the tap.
The set contains all necessary connection parts: GEKA® plus tap plug G3/4 (46.0811), GEKA® plus hose piece 1/2" (46.0801), GEKA® plus hose piece with water stop 1/2" (46.0841), 1.5 m hose 1/2"

Packaging	On card
PU units	5
Item no.	46.7898.8



GEKA® plus seal ring set

14-piece set: each with three flat seal rings for G1/2, G3/4 and G1, suitable for all tap plugs, two- and four-way valves. Five O-rings for all products with plug. Products with drinking water approval are excluded

Packaging	On card
PU units	5
Item no.	46.7004.8



GEKA® plus clamp ring set

4-piece set: contains 4 clamp rings for the GEKA® plus hose pieces for hose size 1/2"; suitable for push-fit system nickel-plated and chrome-plated

Compatible with	46.0801.8, 46.0801.9, 46.0841.8, 46.0841.9
	46.0701.8, 46.0701.9, 46.0741.8, 46.0741.9 46.0761.8, 46.0761.9, 46.0861.8, 46.0861.9 46.0851.8, 46.0851.9
Packaging	On card
Hose size	1/2"
PU units	5
Item no.	46.0804.8



GEKA® plus two-way valves vertical with male thread

for separate use of two water outlets at one water tap
with male thread for individual requirement
design **perfect for use with GEKA® water timer and computers** (17.0101.8, 17.0102.8 and 17.0103.8)

thanks to adapter piece suitable for water taps G3/4 and G1
smooth-running cap nut with sturdy female thread for simple and convenient mounting at water tap
infinitely adjustable water flow

Adapter thread mm	24.66	24.66
Adapter thread	G3/4	G3/4
Nut thread in mm	30.93	30.93
Nut thread	G1	G1
Male thread in mm	2 x 26.44	2 x 26.44
Male thread	2 x G3/4	2 x G3/4
Packaging	On card	EAN-flag
PU units	5	2
Item no.	46.0435.8	46.0435.9

4



GEKA® plus push-fit system

Spare parts
see
chapter 11

Advantage / benefit: **high-quality, sturdy push-fit system made of chrome-plated brass can be combined with all common push-fit systems and hose types unrivalled durability and easy to operate**

Area of application: for garden, house, workshop, etc.

GEKA® plus two-way valves with GEKA® plus plugs

For separate use of two water outlets at one water tap.
With practical GEKA® plus plugs.
Infinitely variable regulator for optimised water flow.
Smooth-running cap nut with robust female thread for simple and convenient mounting at water tap.

Nut thread in mm	24.66	24.66
Nut thread	G3/4	G3/4
Packaging	On card	EAN-flag
PU units	5	2
Item no.	46.0431.8	46.0431.9



GEKA® plus two-way valves with male thread

For separate use of two water outlets at one water tap.
With male thread for individual requirement.
Infinitely variable regulator for optimised water flow.
Smooth-running cap nut with robust female thread for simple and convenient mounting at water tap.

Nut thread in mm	24.66	24.66
Nut thread	G3/4	G3/4
Male thread in mm	2 x 26.44	2 x 26.44
Male thread	2 x G3/4	2 x G3/4
Packaging	On card	EAN-flag
PU units	5	2
Item no.	46.0432.8	46.0432.9



4

GEKA® plus four-way valves with GEKA® plus plugs

For separate use of four water outlets at one water tap.
With practical GEKA® plus plugs.
Infinitely variable regulator for optimised water flow.
Smooth-running cap nut with robust female thread for simple and convenient mounting at water tap.

Nut thread in mm	24.66	24.66
Nut thread	G3/4	G3/4
Packaging	On card	EAN-flag
PU units	1	1
Item no.	46.0433.8	46.0433.9



GEKA® plus four-way valves with male thread

For separate use of four water outlets at one water tap.
With male thread for individual requirement.
Infinitely variable regulator for optimised water flow.
Smooth-running cap nut with robust female thread for simple and convenient mounting at water tap.

Nut thread in mm	24.66	24.66
Nut thread	G3/4	G3/4
Male thread in mm	4 x 26.44	4 x 26.44
Male thread	4 x G3/4	4 x G3/4
Packaging	On card	EAN-flag
PU units	1	1
Item no.	46.0434.8	46.0434.9



GEKA® plus push-fit system

Area of application:for garden etc.
 Options:.....large selection of GEKA® plus watering and spray heads
 Special note:**more information in chapter 6 "Irrigation technology"**.



GEKA® plus watering wand Comfort

Advantage / benefit: **high-quality ergonomic watering wand with handle valve for fatigue-free watering and maximum comfort**
 much more resistant Pipe

Material:watering head, outlet pipe, cap nut: aluminium; plate: stainless steel; protection ring: EPDM; handle valve: aluminium, brass, EPDM; bayonet catch: brass; push-fit connector: brass, chrome-plated

Packaging	On card	EAN-flag
Pipe length in cm	60	60
PU units	1	1
Item no.	50.5414.8	50.5414.9

GEKA® plus watering wand Classic Plus

Advantage / benefit: **robust watering wand** with practical ball valve and **comfortable, non-slip handle**, particularly **light thanks to aluminium ball valve**
 much more resistant Pipe

Material:watering head, outlet pipe, cap nut: aluminium; plate: stainless steel; protection ring: EPDM
 handle: plastic made from PA and TPE; ball valve: brass, chrome-plated; bayonet catch: brass; push-fit connector: brass, chrome-plated

Packaging	On card	EAN-flag
Pipe length in cm	60	60
PU units	1	1
Item no.	50.5409.8	50.5409.9

GEKA® plus watering wand Classic

Advantage / benefit: **robust watering wand** with practical ball valve **individually positioned lever for one-handed operation**
 much more resistant Pipe
 with soft rubber grip

Material:watering head, outlet pipe, cap nut: aluminium; ball valve: brass, chrome-plated; bayonet catch: brass; push-fit connector: brass, chrome-plated

Packaging	On card	EAN-flag
Pipe length in cm	60	60
PU units	1	1
Item no.	50.5404.8	50.5404.9

GEKA® Watering wand Light

Advantage / benefit: **easy and comfortable to use** with soft water spray for gentle watering with one hand

Material:watering head, outlet pipe, cap nut: aluminium; ergonomic handle: plastic; bayonet catch: brass; push-fit connector: brass, chrome-plated

Packaging	On card	EAN-flag	On card	EAN-flag
Pipe length in cm	20	20	60	60
PU units	1	1	1	1
Item no.	50.5454.8	50.5454.9	50.5453.8	50.5453.9

4



GEKA® plus push-fit system

Area of application:for garden etc.

Special note:**more information in chapter 6 "Irrigation technology"**.

GEKA® Watering wand Easy Rain

Advantage / benefit: **light watering wand with handle valve for convenient application allows impulse watering** or with actuated locking mechanism
continuous gentle watering

Material: watering head (50.5432.9), outlet pipe, cap nut: aluminium; valve body: zinc-aluminium alloy; handle: plastic; bayonet catch: brass; push-fit connector: brass, chrome-plated

Packaging	On card	EAN-flag	On card	EAN-flag
Pipe length in cm	20	20	60	60
PU units	1	1	1	1
Item no.	50.5470.8	50.5470.9	50.5471.8	50.5471.9

Watering head with bayonette fitting



4

GEKA® plus watering head Soft Rain fine M

Connection	GEKA® plus bayonet fitting for watering heads
Sieve hole Ø mm	0.7
Plate Ø in mm	50
Size	M
Water spray	fine
Packaging	On card
PU units	5
Item no.	50.5433.8

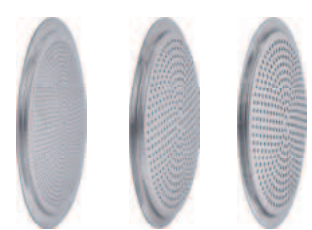
With replaceable plate

With bayonette fitting



GEKA® plus plate set Soft Rain fine M

For Item no.	50.5433.8
Sieve hole Ø mm	0.4 + 0.7 + 1.0
Plate Ø in mm	50
Size	M
Water spray	micro + fine + standard
Packaging	On card
PU units	1
Item no.	50.5461.8



GEKA® plus push-fit system

With bayonette fitting

Area of application: for garden etc.
 Special note: **more information in chapter 6 "Irrigation technology"**.



GEKA® plus watering head Soft Rain microfine S

Connection	GEKA® plus bayonet fitting for watering heads
Sieve hole Ø mm	0.4
Plate Ø in mm	30
Size	S
Water spray	microfine
Packaging	On card
PU units	10
Item no.	50.5429.8

4



GEKA® plus watering head Soft Rain fine M

Connection	GEKA® plus bayonet fitting for watering heads
Sieve hole Ø mm	0.7
Plate Ø in mm	50
Size	M
Water spray	fine
Packaging	On card
PU units	5
Item no.	50.5432.8



GEKA® plus spray head Soft Rain "L"

Connection	GEKA® plus bayonet fitting for watering heads
Sieve hole Ø mm	0.7
Plate Ø in mm	72
Size	L
Packaging	On card
PU units	1
Item no.	50.5444.8



GEKA® plus spray head Soft Rain "XL"

Connection	GEKA® plus bayonet fitting for watering heads
Sieve hole Ø mm	0.8
Plate Ø in mm	100
Size	XL
Packaging	On card
PU units	1
Item no.	50.5445.8

GEKA® plus push-fit system

Advantage / benefit: **high-quality, sturdy push-fit system made of chrome-plated brass can be combined with all common push-fit systems and hose types unrivalled durability and easy to operate**

Area of application: for garden, house, workshop, etc.

GEKA® plus design water taps

Design water tap with GEKA® plus connector plug.
For use with all common push-fit systems

Male thread at inlet mm	20.95	20.95	26.44	26.44
Male thread at inlet	G1/2	G1/2	G3/4	G3/4
Packaging		On card		On card
PU units	1	5	1	5
Covering box units	30		30	
Item no.	46.8121	46.8121.8	46.8123	46.8123.8



GEKA® plus spray nozzles

With rubber coating for easy handling and pleasant feel.
Infinitely variable water flow: from full jet to spray mist

Packaging		On card	
PU units	10	5	10
Covering box units	60		60
Item no.	46.0781	46.0781.8	46.0781.9



4

GEKA® plus starter set

Practical starter set with spray nozzle, incl. all necessary connector parts.
Comprising: GEKA® plus spray nozzle (46.0781), GEKA® plus tap plug G3/4 (46.0811), GEKA® plus hose piece 1/2" (46.0801) and GEKA® plus hose piece with water stop 1/2" (46.0841)

Packaging	On card
PU units	5
Item no.	46.0800.8



GEKA® spray nozzles, light

Infinitely variable water flow: from full jet to spray mist

Packaging		On card	
PU units	10	5	10
Covering box units	100		100
Item no.	46.7781	46.7781.8	46.7781.9



Gun-type spray nozzles

ergonomic ribbed handle
infinitely variable adjustment of water flow and jet power
from full jet to spray mist
continuous locking possible

Packaging		On card	
PU units	1	5	1
Covering box units	30		30
Item no.	46.0740	46.0740.8	46.0740.9



GEKA® plus push-fit system

Advantage / benefit: **high-quality, sturdy push-fit system made of chrome-plated brass can be combined with all common push-fit systems and hose types unrivalled durability and easy to operate**

Area of application: for garden, house, workshop, etc.



Gun-type spray nozzles MF

infinitely variable gun-type spray nozzle
 from powerful full jet to gentle spray mist
protected against damage by plastic ring at sprayer head
ergonomic handle with continuous locking
comfortable one-handed operation
adjustable water quantity using rotary knob
very long-lasting thanks to chrome-plated brass plug
compatible with all customary push-fit systems

Packaging	On card	EAN-flag
PU units	5	5
Item no.	17.0003.8	17.0003.9

4



GEKA® Starter set Gun-type spray nozzle MF

Practical set with gun-type spray nozzle MF and all necessary connector parts.
 Comprising: gun-type spray nozzle MF, GEKA® plus tap plug G3/4 (46.0811), GEKA® plus hose piece 1/2" (46.0801) and GEKA® plus hose piece with water stop 1/2" (46.0841)

Packaging	On card
PU units	5
Item no.	46.7891.8



Garden showers summer rain

water jet through very fine mesh
gentle like soft summer rain
pleasant one-handed operation by sliding switch at back of toggle shower
protected against damage by soft plastic ring at metal spray head
very robust thanks to high-quality metal processing at shower body and chrome-plated brass plug
comfortable handling with non-slip soft grip cover on the handle
compatible with all customary push-fit systems

Packaging	On card	EAN-flag
PU units	5	5
Item no.	17.0004.8	17.0004.9



Starter set garden shower summer rain

Practical set with garden shower summer rain and all necessary connector parts.
 Comprising: Garden shower summer rain, GEKA® plus tap plug G3/4 (46.0811), GEKA® plus hose piece 1/2" (46.0801) and GEKA® plus hose piece with water stop 1/2" (46.0841)

Packaging	On card
PU units	5
Item no.	46.7892.8

GEKA® plus push-fit system

Advantage / benefit: **high-quality, sturdy push-fit system made of chrome-plated brass can be combined with all common push-fit systems and hose types unrivalled durability and easy to operate**

Area of application: for garden, house, workshop, etc.

Multi-sprayers 7 S

high-quality garden sprayer with 7 jet types
robust metal design guarantees very long service life
ergonomically adapted ribbed handle
very long-lasting thanks to chrome-plated brass plug
compatible with all customary push-fit systems

Packaging	On card	EAN-flag
PU units	5	5
Item no.	17.0000.8	17.0000.9



Starter set Multi-sprayer 7 S

Practical set with multi-sprayer 7 S and all necessary connector parts.
 Comprising: Multi-sprayer 7S, 7 GEKA® plus tap plug G3/4 (46.0811), GEKA® plus hose piece 1/2" (46.0801) and GEKA® plus hose piece with water stop 1/2" (46.0841)

Packaging	On card
PU units	5
Item no.	46.7888.8



4

Multi-sprayer 9 S

practical garden sprayer with 9 jet types
 from the powerful full jet to the soft spray mist
particularly robust thanks to metal head
ergonomic handle with continuous locking
adjustable water quantity by pressing a button
comfortable, user-friendly plastic handle
very long-lasting thanks to chrome-plated brass plug
compatible with all customary push-fit systems

Packaging	On card	EAN-flag
PU units	5	5
Item no.	17.0001.8	17.0001.9



Starter set Multi-sprayer 9 S

Practical set with multi-sprayer 9 S and all necessary connector parts.
 Comprising: Multi-sprayer 9 S, GEKA® plus tap plug G3/4 (46.0811), GEKA® plus hose piece 1/2" (46.0801) and GEKA® plus hose piece with water stop 1/2" (46.0841)

Packaging	On card
PU units	5
Item no.	46.7889.8



7 S		●	●		●		●		●	●	●
9 S		●		●	●		●	●	●	●	●
10 S			●	●	●	●	●	●	●	●	●



GEKA® plus push-fit system

Advantage / benefit: **high-quality, sturdy push-fit system made of chrome-plated brass can be combined with all common push-fit systems and hose types unrivalled durability and easy to operate**

Area of application: for garden, house, workshop, etc.



Multi-sprayers 10 S

high-quality multi-sprayer with 10 jet types from the powerful full jet to the soft spray mist
robust metal design guarantees very long service life
ergonomic handle with continuous locking
comfortable one-handed operation
adjustable water quantity using rotary knob
very long-lasting thanks to chrome-plated brass plug
compatible with all customary push-fit systems

Packaging	On card	EAN-flag
PU units	5	5
Item no.	17.0002.8	17.0002.9



Starter set Multi-sprayer 10 S

Practical set with multi-sprayer 10 S and all necessary connector parts.
 Comprising: Multi-sprayer 10 S, GEKA® plus tap plug G3/4 (46.0811), GEKA® plus hose piece 1/2" (46.0801) and GEKA® plus hose piece with water stop 1/2" (46.0841)

Packaging	On card
PU units	5
Item no.	46.7890.8

4

GEKA® cleaning guns

Advantage / benefit: **the components used meet the German drinking water ordinance robust brass/stainless steel combination** guarantees a long service life
infinitely variable adjustment of jet power, lockable for continuous operation
GEKA® plus push-fit connector brass chrome-plated

Material: housing: brass; valve insert: stainless steel;
 rubber coating on whole gun: EPDM

Operating pressure: **max. 24 bar**

Temperature range: max. 50 °C

Area of application: **for cleaning vehicles, sports equipment, garden furniture and small areas around the home**



Flow volume at 5 bar l/min	25
Packaging	Carton with Euro hole
PU units	5
Covering box units	12
Item no.	46.7002.8

GEKA® plus push-fit system

Special note:more information in chapter 2 "Spray nozzles & cleaning guns".

GEKA® plus professional cleaning gun

Advantage / benefit:consumes approx. 25% less water and features a higher cleaning power compared to conventional cleaning guns
 suitable for drinking water, as the water-conducting components meet the German drinking water ordinance
 robust brass/stainless steel combination guarantees long service life
 ergonomic design for fatigue-free work
 the rubber-coated grip insulates against cold and heat and absorbs impacts
 the EPDM rubber coating is resistant to acids and alkalis
 easy adjustment of the jet spray via a rotary knob - no tools required
 locking catch on the control lever facilitates continuous operation;
 with GEKA® plus push-fit connector made of brass, certified for use with drinking water

Material:housing: brass; valve insert: stainless steel;
 rubber coating: EPDM, blue

Operating pressure:max. 30 bar

Temperature range:.....max. 50 °C

Area of application:for cleaning vehicles, sports equipment, garden furniture and small areas around the home

Flow volume at 3 bar l/min	17
Flow volume at 5 bar l/min	21
Packaging	Carton with Euro hole
PU units	1
Covering box units	12
Item no.	46.7880.8



4

Rectangular sprinkler

robust rectangular sprinkler made from aluminium
brass nozzles
adjustable irrigation width
quantity adjustment
 incl. pin for nozzle cleaning

sprinkled surface at 3 bar min. m ²	approx. 30* (10 x 3 m)
sprinkled surface at 3 bar max. m ²	approx. 399* (19 x 21 m)
Packaging	Cardboard box
PU units	1
Item no.	17.0008.9

*Depending on the setting of the irrigation width and (water) amount



3-arm circular sprinkler

robust, three-arm circular sprinkler made from metal
very long-lasting thanks to corrosion-resistant chromed parts
series connection of several circular sprinklers with additional connection option
perfect foothold on meadows, fields, etc. Maximum contact area with round foot
very long-lasting thanks to chrome-plated brass plug
compatible with all customary push-fit systems

sprinkled surface at 2 bar max. m ²	79
sprinkled surface area ø at 2 bar m	10
sprinkled surface at 4 bar max. m ²	113
sprinkled surface ø at 4 bar m	12
Packaging	Cardboard box
PU units	1
Item no.	17.0005.9



GEKA® plus push-fit system



Circular and sector sprinkler Multi

4 spray patterns for different watering
adjustable throw length
watering of circular areas or individually adjustable circle segments
series connection of several circular sprinklers with additional connection option
perfect foothold on meadows, fields, etc. Maximum contact area thanks to round metal foot
very long-lasting thanks to chrome-plated brass plug
compatible with all customary push-fit systems

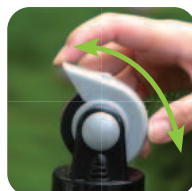
sprinkled surface at 2 bar max. m ²	3 - 201
sprinkled surface ø at 2 bar m	2 - 16
sprinkled surface at 4 bar max. m ²	7 - 531
sprinkled surface ø at 4 bar m	3 - 26
Packaging	Cardboard box
PU units	1
Item no.	17.0006.9



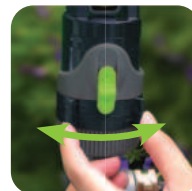
Adjustment of spray type



Adjustment of throw length



Adjustment of irrigation width



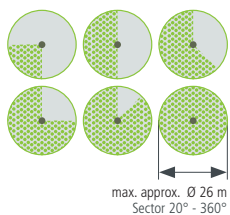
4



Circular and sector sprinkler V 80 B

particularly robust swing arm sprinkler made of metal in professional quality
watering of circular areas or individually adjustable circle segments
control of sprinkled area and spraying by screw
adjustment of throw length and elevation angle by deflector
infinitely variable adjustment of watering sector
series connection* of several circular sprinklers with additional connection option
perfect foothold on grass or in flower beds, maximum contact area thanks to round metal foot
particularly long-lasting thanks to chrome-plated brass plug
compatible with all customary push-fit systems

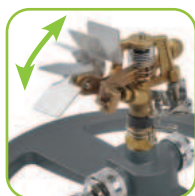
Recommended pressure range bar	2 - 4
Throw length at 4 bar max. m	13
sprinkled surface ø at 4 bar m	0 - 26
sprinkled surface at 4 bar max. m ²	0 - 531
Watering sector	20° - 360°
Packaging	Cardboard box
PU units	1
Item no.	17.0007.9



max. approx. Ø 26 m
Sector 20° - 360°



Control of spraying and irrigation width



Adjustment of throw length and elevation angle



Adjustable watering sector between 20° and 360°



Robust metal design

*3/4" hose required, max. 2 sprinklers

Area of application:for garden, workshop etc.
 Special note:**more information in chapter 5 "Hose trolleys, hose supports and hoses".**

GEKA® automatic wall-mounted hose box K15

Advantage / benefit:**automatic roll-up and comfortable unwinding** of hose without knotting; hose can be locked in any position;
controlled and safe hose intake (slow retract);
tool-free adjustable hose stopper;
robust wall mount: 180° rotatable;
 incl. mounting kit (4x dowels, 4x screws and 4x stainless steel washers);
with anti-drip feature for supply hose thanks to practical plug-in option;
easy to detach from the wall;
fully assembled and ready to use;
compact size;
including high-quality, robust push-fit system and spray nozzle;
made from chrome-plated brass

Operating pressure at +20 °C:.....10 bar
 Temperature range:.....+4 °C to +45 °C
 Dimensions LxWxH cm:.....50 (incl. mount) x 18 x 40
 Scope of delivery:GEKA® plus spray nozzle, light; GEKA® plus hose piece 1/2";
 GEKA® plus hose piece 1/2" with water stop; GEKA® plus tap plug G3/4,
 15 m hose + 2 m supply hose

Hose size	1/2"
Hose ID mm	12.5
Hose length approx. m	15
Approx. length m	2
Supply hose:	
Packaging	Cardboard box
PU units	1
Item no.	42.8710.9



GEKA® automatic wall-mounted hose box K25

Advantage / benefit:**automatic roll-up and comfortable unwinding** of hose without knotting; hose can be locked in any position;
controlled and safe hose intake;
robust metal mount: 180° rotatable;
 incl. mounting kit (4x dowels, 4x screws and 4x washers);
with anti-drip feature for supply hose thanks to practical plug-in option;
fully assembled and ready to use;
 with useful **hose replacement function;**
compact size;
including high-quality, robust push-fit system and spray nozzle;
made from chrome-plated brass

Operating pressure at +20 °C:.....8 bar
 Temperature range:.....+4 °C to +45 °C
 Dimensions LxWxH cm:.....56.5 (incl. mount) x 24 x 39.5
 Scope of delivery:GEKA® plus spray nozzle; GEKA® plus hose piece 1/2";
 GEKA® plus hose piece 1/2" with water stop; GEKA® plus tap plug G3/4,
 25 m hose + 2 m supply hose

Hose size	1/2"
Hose ID mm	12.7
Hose length approx. m	25
Approx. length m	2
Supply hose	
Packaging	Cardboard box
PU units	1
Item no.	42.8720.9



GEKA® plus push-fit system drinking water



For drinking water

Advantage / benefit:..... quick and convenient: The GEKA® plus push-fit system with drinking water certification for using drinking water of the highest hygiene standards fulfils the German drinking water ordinance and meets the requirements of the DVGW test specification VP550 with DVGW type approval certificate; registration number: DW-0310CQ0490
with improved hose integration
incredibly smooth connection with a single click
extremely long-lasting and particularly robust as a result of high-quality brass workmanship

Material:..... brass CW617, BWGL metallic materials in contact with drinking water

Seal:..... seal rings and O-rings for drinking water with DIN 1642 and KTW BWGL for hygienically clean drinking water

Area of application:..... mobile food and drink stalls, mobile sales vehicles/vending carts, market stalls, caravans and camping, festivals, Christmas markets, as well as marinas

Special note:..... to ensure the best possible quality of drinking water, always combine the GEKA® plus push-fit system certified for drinking water with hoses approved for drinking water all components should be protected from impurities at all times and installed in such a way that they fit neatly
 to ensure optimum drinking water quality, short connections and the smallest possible cross-sections should be used in order to reduce the time drinking water is retained in the hose, thereby avoiding excessive heating of the drinking water.

Approved for the following drinking water hoses:
 Conti Aquapal, Conti Festival, Hozelock Profiline Aqua Plus, Semperit Aqualine LMW, Fitt Lilie native, Rehau Rauaqua, Quarzflex Water Super

4



GEKA® plus hose pieces drinking water

Hose ID mm	13	13	16
Hose size	1/2"	1/2"	5/8"
Packaging	On card	EAN-flag	On card
PU units	5	5	5
Item no.	46.1812.8	46.1812.9	46.1813.8
Hose ID mm	16	19	19
Hose size	5/8"	3/4"	3/4"
Packaging	EAN-flag	On card	EAN-flag
PU units	5	5	5
Item no.	46.1813.9	46.1814.8	46.1814.9



Please note:

To ensure the water quality is maintained, please always check the surface beneath is clean during installation. This helps avoid contamination.

*only available with the 1/2" and 3/4" versions, recognisable from the bright red hose clips



GEKA® plus push-fit system drinking water



For drinking water

GEKA® plus hose piece drinking water with water stop

The hose piece with water stop allows hoses to be reinserted without turning off the tap because it stops the water in the hose as soon as it is no longer connected

Hose ID mm	13	13	16
Hose size	1/2"	1/2"	5/8"
Packaging	On card	EAN-flag	On card
PU units	5	5	5
Item no.	46.1815.8	46.1815.9	46.1816.8



Hose ID mm	16	19	19
Hose size	5/8"	3/4"	3/4"
Packaging	EAN-flag	On card	EAN-flag
PU units	5	5	5
Item no.	46.1816.9	46.1817.8	46.1817.9

GEKA® plus tap plug drinking water

Female thread in mm	19.17	19.17	24.66
Female thread	G1/2	G1/2	G3/4
Packaging	On card	EAN-flag	On card
PU units	5	5	5
Item no.	46.1818.8	46.1818.9	46.1819.8



4

Female thread in mm	24.66	30.93	30.93
Female thread	G3/4	G1	G1
Packaging	EAN-flag	On card	EAN-flag
PU units	5	5	5
Item no.	46.1819.9	46.1820.8	46.1820.9

GEKA® plus closure plug drinking water

Hoses and their connectors must be properly cleaned and dried after each use
The hose can then be sealed using the closure plug, thus protecting the hoses and connectors from contamination during storage

Packaging	On card	EAN-flag
PU units	5	5
Item no.	46.1824.8	46.1824.9



How to use

- The GEKA® plus closure plug protects the hose against contamination.
- After cleaning and drying, the hose ends are to be securely sealed.
- For this purpose, push the closure plug to the hose piece
- Store in a clean and dry location.



GEKA® plus basic sets drinking water



Practical basic set incl. all necessary connector parts:
 46.1827.8: 1 x GEKA® plus tap plug G3/4, 2 x GEKA® plus hose piece 1/2",
 2 x GEKA® plus closure plug;
 46.1828.8: 1 x GEKA® plus tap plug G3/4, 2 x GEKA® plus hose piece 3/4",
 2 x GEKA® plus closure plug.

Packaging	On card	On card
PU units	5	5
Item no.	46.1827.8	46.1828.8

GEKA® plus device plug drinking water



Male thread in mm	16.66	16.66	20.95
Male thread	G3/8	G3/8	G1/2
Packaging	On card	EAN-flag	On card
PU units	5	5	5
Item no.	46.1821.8	46.1821.9	46.1822.8

Male thread in mm	20.95	26.44	26.44
Male thread	G1/2	G3/4	G3/4
Packaging	EAN-flag	On card	EAN-flag
PU units	5	5	5
Item no.	46.1822.9	46.1823.8	46.1823.9

GEKA® plus device plug drinking water with flange



For use with the GEKA® plus professional cleaning gun 23.1890.9

Male thread in mm	20.95	20.95
Male thread	G1/2	G1/2
Packaging	On card	EAN-flag
PU units	5	5
Item no.	46.1829.8	46.1829.9

GEKA® plus connector plug drinking water



For the practical connection of two hoses

Packaging	On card	EAN-flag
PU units	5	5
Item no.	46.1825.8	46.1825.9

GEKA® plus seal ring set drinking water



14-piece set of seal rings certified for drinking water: each with three flat seal rings for G1/2, G3/4 and G1, suitable for all tap plugs, two- and four-way valves. Five O-rings for all products with plug.

Packaging	On card
PU units	5
Item no.	46.1826.8

GEKA® plus clamp ring set, drinking water



4-piece set: contains 4 clamp rings for the GEKA® plus hose pieces, drinking water, for hose size 1/2"; suitable for drinking water push-fit system version with red clamp ring

Compatible with	46.1812.8, 46.1812.9 46.1815.8, 46.1815.9
Packaging	On card
Hose size	1/2"
PU units	5
Item no.	46.1832.8

GEKA® plus push-fit system drinking water



For drinking water

NEW

GEKA® plus drinking water set, caravan

- Advantage / benefit:..... **suitable for drinking water as all components are DVGW-certified perfectly hygienic filling** of drinking water tank from the dispenser to the filling spout **the set is preassembled** and comes in a practical storage bag
- Area of application:..... **ideal companion for the caravan**
- Material:..... GEKA® plus push-fit system drinking water components: brass, BVWL metallic materials in contact with drinking water; hose: PE
- Scope of delivery: 5 m or 10 m drinking water hose Rauaqua 1/2"; 2 x GEKA® plus hose piece G1/2"; 2 x GEKA® plus closure plug; 1 x GEKA® plus tap plug G3/4"; 1 x storage bag with zip
- Options: can be expanded with GEKA® plus push-fit system drinking water components



Packaging	in a bag	in a bag
Hose ID mm	13	13
Hose size	1/2"	1/2"
Hose length m	5	10
PU units	1	1
Item no.	46.1831.9	46.1833.9

GEKA® plus adapters

- Advantage / benefit: adapter solution to connect the proven GEKA® plus claw coupling and the GEKA® plus push-fit system **can be combined with all standard push-fit systems and hose types unrivalled long service life and easy to use**
- Area of application: for garden, home, workshop, etc. The drinking water adapter is used at fairs and carnivals, on boats and in caravans.

GEKA® plus push-fit system adapter

for connecting hose and claw coupling and end device and plug

Packaging	On card	EAN-flag
PU units	5	5
Item no.	46.0890.8	46.0890.9



GEKA® plus push-fit system adapter

Water taps with claw coupling can be connected to hose with push-fit system

Packaging	On card	EAN-flag
PU units	5	5
Item no.	46.0891.8	46.0891.9



GEKA® plus push-fit system adapter drinking water

for connecting hose and claw coupling and end device and plug

Packaging	On card	EAN-flag
PU units	5	5
Item no.	46.1890.8	46.1890.9



GEKA® plus push-fit system adapter drinking water

Water taps with claw coupling can be connected to hose with push-fit system

Packaging	On card	EAN-flag
PU units	5	5
Item no.	46.1891.8	46.1891.9



For drinking water

4



GEKA® plus hose trolleys

Spare parts
see
chapter 11

GEKA® plus P25 and P25SST hose trolleys

Advantage / benefit: **robust, powder-coated steel structure**
light and easy to handle with ergonomic grip height
optimised frame construction for guaranteed secure stand
and easy manoeuvrability
non-slip solid rubber tyres for comfortable transport
accessory rack to hold a nozzle
tool-free installation and disassembly of handle for quick and compact storage in winter
quick and simple set-up, no additional tools required
 with GEKA® plus push-fit connectors, inner and outer
42.8506.9 with 25 m GEKA® plus water hose WS400 1/2", high-quality, robust push-fit system and spray nozzle made from brass + 1.5 m supply hose

Material: frame: powder-coated steel pipe; handrail, tyres: rubber black;
 device mounting, crank handle: plastic green; supply pipe: stainless steel;
 GEKA® plus push-fit connectors: brass, chrome-plated

Temperature range: +4 to +60 °C (hose-dependent)

Dimensions cm: 41 x 99 x 39

Special note: preassembled; spare parts are available on request

	P25	P25SST
Connection	GEKA® plus push-fit connector	
Capacity of 1/2" hose approx. m*	50	50
Capacity of 5/8" hose approx. m*	40	40
Capacity of 3/4" hose approx. m	25	25
Hose length approx. m	25	25
Weight approx. kg	7	12
PU units	1	1
Item no.	42.8501.9	42.8506.9



P25 - 42.8501.9

P25SST - 42.8506.9

5



Sturdy steel construction



Practical holder for devices



Non-slip solid rubber tyres for comfortable transport



Simple, tool-free assembly



Ready to use with GEKA® plus push-fit connector

*measured with rubber hoses



GEKA® plus P40 and P40SST hose trolleys

Advantage / benefit:**robust, powder-coated steel structure suitable for drinking water: the water-conducting components meet the German drinking water ordinance with eco-friendly powder coating optimised frame design for guaranteed stability and easy rolling pneumatic, non-slip tyres for comfortable rolling curved supply hose made of stainless steel prevents the hose from kinking optimal water flow with GEKA® plus 90° angled rotary fitting, brass, for drinking water practical holder for devices 42.8505.9 with 25 m GEKA® plus water hose 110 1/2", high-quality, robust push-fit system and spray nozzle made of brass + 1.5 m supply hose**

Material:frame: powder-coated steel pipe (Ø 20 mm); handrail, pneumatic tyres: rubber black; device mounting, crank handle: plastic green; supply pipe: stainless steel; GEKA® plus rotary fitting: brass

Dimensions cm:52 x 107 x 55

Special note:preassembled without hose; spare parts are available on request

	P40	P40SST
Connection male thread to water tap mm	26.44	26.44
Connection male thread to water tap	G3/4	G3/4
Connection male thread at hose outlet mm	26.44	26.44
Connection male thread at hose outlet	G3/4	G3/4
Capacity of 1/2" hose approx. m*	60	60
Capacity of 5/8" hose approx. m*	55	55
Capacity of 3/4" hose approx. m*	40	40
Hose length approx. m	25	25
Tyre pressure max. bar	2.1	2.1
Weight approx. kg	15,5	20.4
Temperature range °C	+4 to +60	+4 to +60
PU units	1	1
Item no.	42.8502.9	42.8505.9



5



Sturdy steel construction



Practical holder for devices



Pneumatic tyres for comfortable transport



protection against hose kink through stainless steel inlet pipe



GEKA® plus angled rotary fitting for drinking water

*measured with rubber hoses



GEKA® plus P80 hose trolley

Advantage / benefit: **robust, powder-coated steel structure**
suitable for drinking water: the water-conducting components meet the German drinking water ordinance
ergonomic frame design for guaranteed stability and easy rolling
safe locking mechanism made from stainless steel: drum can be locked in 12 positions
pneumatic, non-slip tyres for comfortable transport
curved supply pipe made of stainless steel prevents the hose from kinking
high water flow thanks to 1" fitting and 1" supply pipe with GEKA® plus 90° angled rotary fitting for drinking water,
brass robust device holder made of stainless steel
non-slip feet with large contact area

Material: frame: powder-coated steel pipe (Ø 22 mm + Ø 30 mm); handrail: rubber, black; supply pipe: stainless steel; pneumatic tyres: black; device mounting: stainless steel; crank handle: plastic, green; GEKA® plus angled rotary fitting: brass

Dimensions cm: 67 x 112 x 66

Special note: preassembled without hose; spare parts are available on request



Connection male thread to water tap mm	33.25
Connection male thread to water tap	G1
Connection male thread at hose outlet mm	33.25
Connection male thread at hose outlet	G1
Capacity of 1/2" hose approx. m*	150
Capacity of 5/8" hose approx. m*	100
Capacity of 3/4" hose approx. m*	80
Capacity of 1" hose approx. m*	50
Tyre pressure max. bar	2.1
Weight approx. kg	26
Temperature range °C	+4 to +60
PU units	1
Catalogue no.	8503SB
Item no.	42.8503.9

5



Non-slip pneumatic tyres



GEKA® plus angled rotary fitting for drinking water



protection against hose kink through stainless steel inlet pipe



Drum can be locked in 12 positions



Ergonomic design: comfortable rolling



Hose protecting drum

*measured with rubber hoses

GEKA® plus P125 hose trolley

Advantage / benefit: **robust, powder-coated steel structure**
suitable for drinking water: the water-conducting components meet the criteria for drinking water approval
ergonomic frame design for guaranteed stability and easy rolling
safe locking mechanism made from stainless steel: drum can be locked in 12 positions
pneumatic, non-slip tyres for comfortable transport
curved supply pipe made of stainless steel prevents the hose from kinking high water flow thanks to 1" fitting and 1" supply pipe with GEKA® plus 90° angled rotary fitting for drinking water,
brass robust device holder made of stainless steel
non-slip feet with large contact area

Material: frame: powder-coated steel pipe (Ø 22 mm + Ø 30 mm); handrail: rubber, black; supply pipe: stainless steel; pneumatic tyres: black; device mounting: stainless steel; crank handle: plastic, green; GEKA® plus angled rotary fitting: brass

Dimensions cm: 67 x 112 x 82

Special note: preassembled without hose; spare parts are available on request

Connection male thread to water tap mm	33.25
Connection male thread to water tap	G1
Connection male thread at hose outlet mm	33.25
Connection male thread at hose outlet	G1
Capacity of 1/2" hose approx. m*	200
Capacity of 5/8" hose approx. m*	150
Capacity of 3/4" hose approx. m*	125
Capacity of 1" hose approx. m*	80
Tyre pressure max. bar	2.1
Weight approx. kg	29
Temperature range °C	+4 to +60
PU units	1
Catalogue no.	8504SB
Item no.	42.8504.9



5



Non-slip pneumatic tyres



GEKA® plus angled rotary fitting for drinking water



protection against hose kink through stainless steel inlet pipe



Drum can be locked in 12 positions



Ergonomic design: comfortable rolling



Hose protecting drum

*measured with rubber hoses

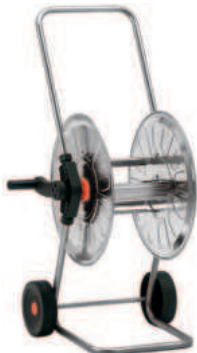


Hose trolleys

Hose trolley 5350 steel galvanised

Advantage / benefit: hand crank for installation on right and left; can be fully disassembled, space-saving storage

Material: chassis and hose drum: steel pipe/sheet steel galvanised; connector elements, hand crank and wheels: plastic, black



Connection male thread at hose outlet mm	26.44
Connection male thread at hose outlet	G3/4
Capacity of 1/2" hose approx. m	50
Capacity of 3/4" hose approx. m	35
Net weight approx. kg	4.3
Cardboard box dimensions approx. mm	400 x 320 x 400
PU units	1
Item no.	42.5350.9

Accessories for GEKA® plus hose trolleys and hose reels

5

Clip for hoses

Advantage / benefit: **clip for holding supply hoses, hose trolley connector sets and hose ends with spray nozzles**
for securing to GEKA® plus hose trolleys and reels
incl. crosshead screw

Material: PP plastic

Colour: black

Use: installed as standard on all P40 hose reels



For articles	P25, P40, P40 hose reels
For Item no.	42.8501.9, 42.8506.9, 42.8502.9, 42.8505.9, 42.8602.9
Connection mm	22
Hose size inches	1/2", 5/8", 3/4"
Hose outer diameter mm	21-24
PU units	1
Item no.	42.8500.27

GEKA® plus sprinkler trolleys

GEKA® plus RW40 sprinkler trolley

Advantage / benefit: **sprinkler trolley incl. 40 m hose for up to 1220 m² sprinkled surface**
automatic watering with automatic shutoff
turbine drive with adjustable water flow or retraction speed
 transmission with idle switch for an easy hose pull out
 with circular and sector sprinkler V 80 made from metal
 handle bar with ergonomic height and soft grip
 pointed front feet for stability; fitted with GEKA® plus fittings made from brass

Material: frame: powder-coated steel; handrail: rubber, black,
 sprinkler, fittings, side flange: brass;
 turbine, wheels: plastic

Operating pressure: 2-4 bar

Dimensions LxWxH cm: 121 x 49 x 104

Special note: preassembled with hose;
 spare parts are available on request

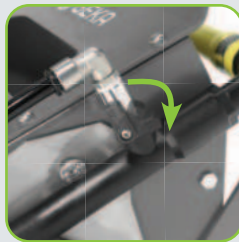
Connection	GEKA® plus quick coupling
Capacity of 5/8" hose approx. m	40
Hose length approx. m	40
Water flow rate at 2-4 bar l/min	7.5-14
Throw length at 2-4 bar approx. m	6-11.5
sprinkled surface at 2-4 bar max. m ²	533-1220
Weight approx. kg	35
Temperature range °C	+4 to +40
PU units	1
Item no.	42.9100.9



5



Automatic watering



Adjustable water flow



Idle switch for an easy hose pull out



Ergonomic grip with soft grip



High-quality GEKA® plus fittings made of brass



Automatic shutoff



Pull-out trolley with sprinkler



Circular and sector sprinklers made of metal



GEKA® plus hose reels

GEKA® plus Automatic hose reels PA20 and PA20SK

Advantage / benefit: **robust, powder-coated steel structure**
automatic retraction of hose with gentle hose guidance
gradual locking from a distance possible by pulling on hose
fully assembled and ready to use
optimal water flow for hoses up to 3/4"
with hose protection and hose stopper
with GEKA® plus 90° angled rotary fitting made of brass
adjustable hose guide in 45° increments
42.9010.9 with 20 m GEKA® plus water hose WS400 3/4", high-quality,
robust quick couplings and spray nozzle made of brass + 2 m supply hose

Material: housing: powder-coated steel; hose guide: plastic, white;
hose stopper: rubber, black; screws, hose protection spring: stainless steel;
GEKA® plus rotary fitting: brass

Operating pressure: max. 20 bar (hose-dependent)

Temperature range: +4 to +60 °C (hose-dependent)

Dimensions cm: 52.5 x 50.5 x 21

Special note: hose reel is designed for 3/4" hoses with outer diameter of 24 mm
screws and dowels for wall mounting are not included in the scope of delivery
pivoted wall mount 90° incl. connection screws (42.9099.9) and adapter sets
for hose connection of different diameters available separately as accessories



	PA20	PA20SK
Connection	Male thread	GEKA® plus quick coupling
Male thread in mm	33.25	
Male thread	G1	
Capacity of 1/2" hose approx. m	25	25
Capacity of 5/8" hose approx. m	25	25
Capacity of 3/4" hose approx. m	20	20
Hose length approx. m		20
Weight approx. kg	15	24
PU units	1	1
Item no.	42.9000.9	42.9010.9

5



Sturdy steel construction



GEKA® plus angled rotary fitting with full 3/4" water flow



Gradual adjustment



Automatic roll-up of the hose



Locking mechanism can be controlled by pulling at the end of the hose



Gentle hose guide



GEKA® plus hose reels

GEKA® plus Automatic hose reels PA30 and PA30SK

Advantage / benefit: **robust, powder-coated steel structure**
automatic retraction of hose with gentle hose guide
gradual locking from a distance possible by pulling on hose
fully assembled and ready to use
optimal water flow for hoses up to 3/4"
non-corrosive supply pipe and locking mechanism made of stainless steel
with hose protection and hose stopper
with GEKA® plus 90° angled rotary fitting made of brass
adjustable hose guide in 45° increments
42.9030.9 with 30 m GEKA® plus water hose WS400 3/4", high-quality,
robust quick couplings and spray nozzle made of brass + 2 m supply hose

Material: housing: powder-coated steel; hose guide: wheels, stainless steel, mount, steel, yellow, galvanised; hose stopper: rubber, black; supply pipe, locking mechanism (lock washer, detent, spring, circlips), screws, hose protection spring: stainless steel; GEKA® plus rotary fitting: brass

Operating pressure: max. 20 bar (hose-dependent)

Temperature range: +4 to +60 °C (hose-dependent)

Dimensions LxWxH cm: 60.6 x 33 x 53.1

Special note: screws and dowels for wall mounting are not included in the scope of delivery
pivoted wall mount 110° incl. connection screws (42.9098.9) and adapter sets for hose connection of different diameters available separately as accessories

	PA30	PA30SK
Connection	Male thread	GEKA® plus quick coupling
Male thread in mm	33.25	
Male thread	G1	
Capacity of 1/2" hose approx. m	35	35
Capacity of 5/8" hose approx. m	33	33
Capacity of 3/4" hose approx. m	30	30
Capacity of 1" hose approx. m	20	20
Hose length approx. m		30
Weight approx. kg	25.4	34.3
PU units	1	1
Item no.	42.9020.9	42.9030.9





Sturdy steel construction



GEKA® plus fitting and pipe with full 3/4" water flow



Gradual adjustment



Automatic roll-up of the hose



Locking mechanism can be controlled by pulling at the end of the hose



Gentle hose guide



GEKA® plus hose reels

GEKA® plus Automatic hose reels PA20GSK and PA30GSK

Advantage / benefit: **robust, powder-coated steel structure**
automatic retraction of hose with gentle hose guide
gradual locking possible from a distance by pulling on the hose
fully assembled and ready to use
optimal water flow for hoses up to 3/4"
anti-corrosive supply pipe and locking mechanism made of stainless steel
with hose protection and hose stopper; with GEKA® plus 90° angled rotary fitting made of brass
adjustable hose guide in 45° increments, **therefore, ceiling or floor mounting also possible**
with up to 25 m GEKA® plus rubber water hose 3/4", high-quality, robust quick couplings and spray nozzle made of brass + 2 m supply hose
GEKA® plus rubber water hose 3/4" made of EPDM, 5-layer with synthetic threads, ID 19 mm, wall thickness 4 mm, operating pressure 20 bar, Made in Germany

Material: housing: powder-coated steel; hose stop: rubber, black; screws, hose protection spring: stainless steel; GEKA® plus rotary fitting: brass

Operating pressure: max. 20 bar

Temperature range: +4 to +60 °C (hose-dependent)

Special note: screws and wall plugs for wall mounting are not included in the scope of delivery; **rotatable wall mounts are available separately as accessories**

NEW
with high-quality
rubber hose



	PA20GSK equipped	PA30GSK equipped
Connection	GEKA® plus quick coupling	GEKA® plus quick coupling
Hose length approx. m	15	25
Dimensions L x W x H cm	52.5 x 21 x 50.5	61 x 33 x 53
Weight approx. kg	24.4	35.6
PU units	1	1
Item no.	42.9011.9	42.9031.9



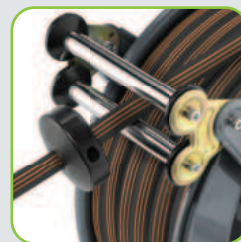
Robust steel structure



GEKA® plus fitting and pipe with full 3/4" water flow



Gradual locking mechanism



Gentle hose guide



Automatic retraction of hose



Locking mechanism can be controlled by pulling at the end of the hose



Rubber water hose made of EPDM

Adapter set 1/2" for PA20, PA30

Advantage / benefit:adapter sets for connecting 1/2"-hoses to the automatic hose reels, set comprising hose stopper with screws, washers and nuts, hose protection spring, rubberised hose clamps with screws and self-locking nuts with hose stopper, protection spring and clamps

Material:hose stopper: rubber, black; screws, hose protection spring: stainless steel

Special note:the following items are required for connection to the PA20: 28.2051, 30.3413
the following items are required for connection to the PA30: 25.2531

PU units	1
Item no.	42.9090.9



Adapter set 5/8" for PA30

Advantage / benefit:adapter sets for connecting 5/8"-hoses to the automatic hose reels set comprising hose stopper with screws, washers and nuts, hose protection spring

Material:hose stopper: rubber, black; screws, hose protection spring: stainless steel

Special note:the following items are required for connection to the PA30: 25.2052, 30.3413

PU units	1
Item no.	42.9091.9



Adapter set 1" for PA30

Advantage / benefit:adapter sets for connecting hoses of different diameters to the automatic hose reels set comprising hose stopper with screws, washers and nuts, hose protection spring

Material:hose stopper: rubber, black; screws, hose protection spring: stainless steel

Special note:the following items are required for connection to the PA30: 25.2534

PU units	1
Item no.	42.9092.9



Wall mount for PA20 and PA20SK

Advantage / benefit:90° rotatable wall mount, powder-coated steel structure, freely rotatable without locking mechanism, incl. connection screws compatible with the wall-mounted hose supports PA20 (42.9000.9), PA20SK (42.9010.9) and PA20GSK (42.9011.9)

Material:steel, powder-coated

Special note:screws and wall plugs for wall mounting are not included in the scope of delivery

Swivel angle degree	90°
Weight approx. kg	2
PU units	1
Item no.	42.9099.9



Wall mount for PA30 and PA30SK

Advantage / benefit:110° rotatable wall mount, robust, powder-coated steel structure freely rotatable or can be locked in steps, including connection screws Made in Germany compatible with the wall-mounted hose supports PA30 (42.9020.9), PA30SK (42.9030.9) and PA30GSK (42.9031.9)

Material:steel, powder-coated

Special note:screws and wall plugs for wall mounting are not included in the scope of delivery

Swivel angle degree	110°
Weight approx. kg	12
PU units	1
Item no.	42.9098.9



GEKA® plus hose reels P40

Advantage / benefit: **robust, powder-coated steel structure**
suitable for drinking water: the water-conducting components
meet the German drinking water ordinance
with eco-friendly powder coating
rotatable and lockable in 4 positions
mobile use also possible
curved supply pipe prevents the hose from kinking
simple wall mounting with separate wall mount
(incl. assembly kit)
drum can be installed on the right or left
optimal water flow
with GEKA® plus 90° angled rotary fitting for drinking water, brass

Material: frame: powder-coated steel pipe (Ø 20 mm); handrail: rubber, black;
 wall mount: powder-coated; crank handle: plastic, green; supply pipe: stainless steel;
 GEKA® plus rotary fitting: brass

Dimensions cm: 46 x 59 x 54

Special note: preassembled without hose; space requirement from wall: 60 cm;
 spare parts available on request



Connection male thread to water tap mm	26.44
Connection male thread to water tap	G3/4
Connection male thread at hose outlet mm	26.44
Connection male thread at hose outlet	G3/4
Capacity of 1/2" hose approx. m*	60
Capacity of 5/8" hose approx. m*	55
Capacity of 3/4" hose approx. m*	40
Weight approx. kg	11.5
Temperature range °C	+4 to +60
PU units	1
Item no.	42.8602.9

5



Can be used as a standing model



Side view with wall mount



Front view



180° curved supply pipe prevents the hose from kinking



GEKA® plus angled rotary fitting for drinking water



Sturdy steel construction

*measured with rubber hoses

GEKA® automatic wall-mounted hose box K15

Advantage / benefit: **automatic roll-up and comfortable unwinding** of hose without knotting; hose can be locked in any position;
controlled and safe hose intake (slow retract);
tool-free adjustable hose stopper;
robust wall mount: 180° rotatable;
 incl. mounting kit (4x dowels, 4x screws and 4x stainless steel washers);
with anti-drip feature for supply hose thanks to practical plug-in option;
easy to detach from the wall;
fully assembled and ready to use;
compact size;
including high-quality, robust push-fit system and spray nozzle;
made from chrome-plated brass

Operating pressure at +20 °C:..... 10 bar
 Temperature range:..... +4 °C to +45 °C
 Dimensions LxWxH cm:..... 50 (incl. mount) x 18 x 40
 Scope of delivery: GEKA® plus spray nozzle, light; GEKA® plus hose piece 1/2";
 GEKA® plus hose piece 1/2" with water stop; GEKA® plus tap plug G3/4,
 15 m hose + 2 m supply hose

Hose size	1/2"
Hose ID mm	12.5
Hose length approx. m	15
Approx. length m	2
Supply hose:	
Packaging	Cardboard box
PU units	1
Item no.	42.8710.9



5

Automatic roll-up	Infinitely variable locking mechanism	Incl. assembly kit and wall mount	Supply hose 2 m	Can be adjusted without tools
Incl. push-fit system made of metal	Safe, controlled retraction	Plug-in option for supply hose	180° rotatable	



GEKA® hose boxes

GEKA® automatic wall-mounted hose box K25

Advantage / benefit: **automatic roll-up and comfortable unwinding** of hose without knotting; hose can be locked in any position;
controlled and safe hose intake;
robust metal mount: 180° rotatable;
 incl. mounting kit (4x dowels, 4x screws and 4x washers);
with anti-drip feature for supply hose thanks to practical plug-in option;
fully assembled and ready to use;
 with useful **hose replacement function;**
compact size;
including high-quality, robust push-fit system and spray nozzle;
made from chrome-plated brass

Operating pressure at +20 °C:..... 8 bar

Temperature range:..... +4 °C to +45 °C

Dimensions LxWxH cm:..... 56.5 (incl. mount) x 24 x 39.5

Scope of delivery: GEKA® plus spray nozzle; GEKA® plus hose piece 1/2";
 GEKA® plus hose piece 1/2" with water stop; GEKA® plus tap plug G3/4,
 25 m hose + 2 m supply hose



Hose size	1/2"
Hose ID mm	12.7
Hose length approx. m	25
approx. length m Supply hose:	2
Packaging	Cardboard box
PU units	1
Item no.	42.8720.9

5

Automatic roll-up	Infinitely variable locking mechanism	Incl. assembly kit and metal mount	Supply hose 2 m	With hose replacement function
Incl. push-fit system made of metal	Safe, controlled retraction	Plug-in option for supply hose	180° rotatable	

GEKA® plus wall-mounted hose supports

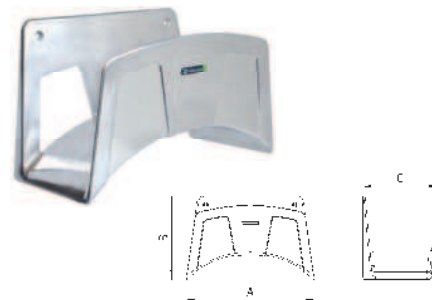
GEKA® plus wall-mounted hose supports aluminium

Advantage / benefit: **extremely robust and stable**
solid design and high-quality workmanship
long service life also with heavy-duty use

Material:aluminium cast in one piece

Area of application:for garden, garage, workshop, etc.

Capacity** of 1/2" hose approx. m	100
Capacity** of 5/8" hose approx. m	73
Capacity** of 3/4" hose approx. m	55
Capacity** of 1" hose approx. m	35
A mm	244
B mm	159
C mm	145
PU units	1
Covering box units	70
Item no.	46.7005.9



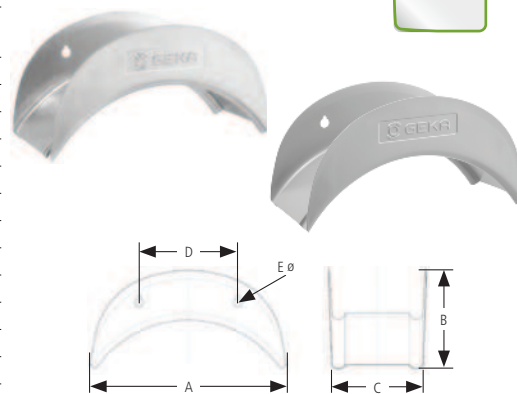
Wall-mounted hose supports for workshop, sheet steel

Advantage / benefit: **extremely stable, solid construction and processing**

Area of application:for industry, garage, petrol stations etc.

NEW

Material	Sheet steel, galvanised	Sheet steel, silver, powder-coated
Capacity** of 1/2" hose approx. m	70	70
Capacity** of 5/8" hose approx. m	60	60
Capacity** of 3/4" hose approx. m	37	37
Capacity** of 1" hose approx. m	25	25
A mm	280	280
B mm	140	140
C mm	130	130
D mm	140	140
E mm	Ø 11,7	Ø 11,7
PU units	1	1
Covering box units	20	20
Item no.	42.5111.9	42.5112.9



5

GEKA® wall-mounted hose supports plastic

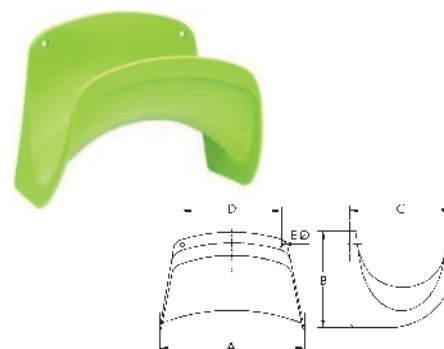
Advantage / benefit: **extremely stable thanks to special design** (merging radii)
tight stacking, therefore extremely space-saving and cost-effective storage

Material:HD-PE plastic

Colour:green

Area of application:for home, hobby, lab, industry, workshop, etc.

Capacity** of 1/2" hose approx. m	100
Capacity** of 5/8" hose approx. m	73
Capacity** of 3/4" hose approx. m	55
Capacity** of 1" hose approx. m	35
A mm	270
B mm	200
C mm	190
D mm	186
E mm	Ø 8
PU units	5
Item no.	42.5101.9

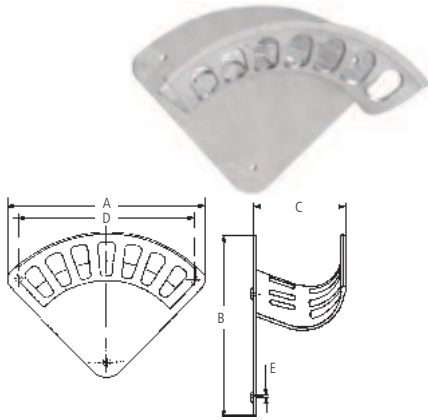


**The information on the capacity are guide values and were taken at a mounting height of approx. 1.5 m, a loop diameter of approx. 1.0 m and measured with our WS400 water hoses neatly rolled up to the upper edge of the hose holder.



Wall-mounted hose supports

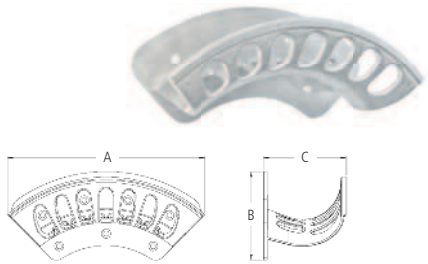
Advantage / benefit:extremely stable, solid design and workmanship
long service life also with heavy-duty use
 Area of application:for industry, workshop, filling stations, etc.



Wall-mounted hose supports for workshop, form A, aluminium

Material: aluminium cast in one piece

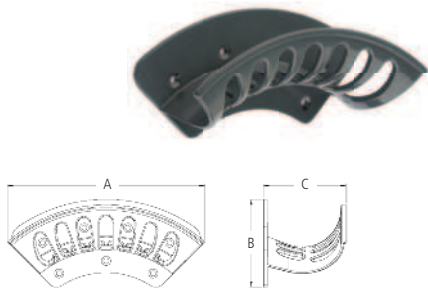
Capacity** of 1/2" hose approx. m	20	45	65	155
Capacity** of 5/8" hose approx. m	18	30	57	115
Capacity** of 3/4" hose approx. m	13	27	42	80
Capacity** of 1" hose approx. m	8	12	25	50
A mm	190	257	339	414
B mm	147	189	247	301
C mm	70	106	136	188
D mm	153	228	304	380
E mm	Ø 8.5	Ø 8.5	Ø 8.5	Ø 8.5
PU units	1	1	1	1
Covering box units	250	150	190	100
Item no.	42.5120.9	42.5121.9	42.5122.9	42.5123.9



Wall-mounted hose supports for workshop, form B, aluminium

Material: aluminium cast in one piece

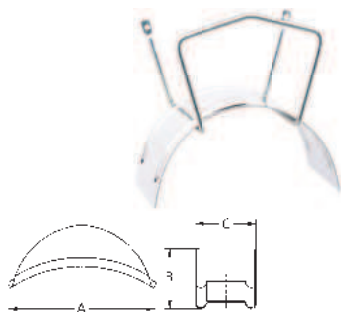
Capacity** of 1/2" hose approx. m	20	45	65	155
Capacity** of 5/8" hose approx. m	18	30	57	115
Capacity** of 3/4" hose approx. m	13	27	42	80
Capacity** of 1" hose approx. m	8	12	25	50
A mm	189	254	350	389
B mm	86	113	151	170
C mm	70	106	136	188
PU units	1	1	1	1
Covering box units	250	200	100	80
Item no.	88.7589.9	88.7590.9	88.7591.9	88.7599.9



GEKA® plus wall-mounted hose supports P, aluminium

Material: aluminium cast in one piece, powder-coated
 Colour: dark grey

Capacity** of 1/2" hose approx. m	20	45	65	155
Capacity** of 5/8" hose approx. m	18	30	57	115
Capacity** of 3/4" hose approx. m	13	27	42	80
Capacity** of 1" hose approx. m	8	12	25	50
A mm	189	254	350	388
B mm	86	113	151	170
C mm	70	106	136	187
PU units	1	1	1	1
Covering box units	300	150	100	100
Item no.	46.6220.9	46.6221.9	46.6222.9	46.6223.9



Wall-mounted hose supports, stainless steel and steel galvanised

Material	Stainless steel	Steel, galvanised
Capacity** of 1/2" hose approx. m	175	175
Capacity** of 5/8" hose approx. m	125	125
Capacity** of 3/4" hose approx. m	80	80
Capacity** of 1" hose approx. m	57	57
A mm	220	220
B mm	130	130
C mm	170	170
PU units	1	1
Item no.	42.5130.9	42.5133.9

**The information on the capacity are guide values and were taken at a mounting height of approx. 1.5 m, a loop diameter of approx. 1.0 m and measured with our WS400 water hoses neatly rolled up to the upper edge of the hose holder.

GEKA® plus water hoses WS500

- Advantage / benefit:.....4-layer hose design, top quality materials
 PVC-free inner layer for safe use in crop plants area and avoiding biofilm
 very robust and long-lasting
 extremely pressure-resistant and dimensionally stable thanks to Anti-Twist Technology (ATT)
 no twisting and warping, no kinking thanks to robust, thick-walled outer layer
 maximum flexibility and temperature resistance
 algae-free, weathering- and UV-resistant
 phthalate-, PAH-free
 REACH- and RoHS-compliant
Made in Germany
 25-year warranty*
- Material:.....core: high-quality, light blue PVC-free inner layer (plastic)
 intermediate layer: anti-algae protective and support layer, black , PVC
 middle layer: ATT (Anti-Twist Technology) fabric insert
 outer layer: high-quality, thick-walled PVC
- Temperature range: - 20 °C to + 60 °C
- Colour:yellow with matt surface, grey line and 3 grey stripes
- Area of application:intensive use, heavy-duty use, garden centres, landscape contracting companies,
 organic vegetable growing, municipalities and discerning garden owners, etc.
- Packaging:.....with cardboard box-display disc and EAN code

Hose size inches	3/4"	3/4"	1"	1"
Hose ID mm	19	19	25	25
Hose outer diameter mm	24.8	24.8	33	33
Wall thickness mm	3.1	3.1	4	4
Approx. length m	25	50	25	50
Operating pressure at +20 °C bar	11	11	10	10
Bursting pressure at +20 °C bar	35	35	30	30
PU units	1	1	1	1
Item no.	13.0220.9	13.0221.9	13.0222.9	13.0223.9



5

*more information on warranty conditions:
<http://www.geka.de/garantie>



GEKA® plus water hoses WS400

- Advantage / benefit:.....5-layer hose design, top quality materials
 robust and long-lasting
 very pressure-resistant and dimensionally stable
 no twisting and warping, no kinking thanks to Anti-Twist Technology (ATT)
 very high flexibility and temperature resistance
 algae-free, weather- and UV-resistant
 phthalate-, PAH-free
 REACH- and RoHS-compliant
 20-year warranty*
- Material:.....core: high-quality grey PVC,
 1st intermediate layer: anti-algae protective layer, black, PVC
 2nd intermediate layer: support layer, grey, PVC
 middle layer: ATT (Anti-Torsion Technology) double fabric insert
 outer layer: high-quality, transparent PVC
- Temperature range:approx. -20 °C to +60 °C
- Colour:transparent grey with matt surface, with anthracite line and 2 green stripes
- Area of application:intensive use, heavy-duty use, garden centres, landscape contracting companies,
 discerning garden owners, etc.
- Packaging:.....with cardboard box-display disc and EAN code

Hose size inches	1/2"	1/2"	5/8"	5/8"
Hose ID mm	13	13	15	15
Hose outer diameter mm	17	17	20	20
Wall thickness mm	2,4	2,4	2,6	2,6
Approx. length m	25	50	25	50
Operating pressure at +20 °C bar	16	16	13	13
Bursting pressure at +20 °C bar	50	50	39	39
PU units	1	1	1	1
Item no.	13.0210.9	13.0211.9	13.0212.9	13.0213.9
Hose size inches	3/4"	3/4"	1"	1"
Hose ID mm	19	19	25	25
Hose outer diameter mm				
Wall thickness mm				
Approx. length m	25	50	25	50
Operating pressure at +20 °C bar	11	11	9	9
Bursting pressure at +20 °C bar	33	33	27	27
PU units	1	1	1	1
Item no.	13.0214.9	13.0215.9	13.0216.9	13.0217.9



5

*more information on warranty conditions:
<http://www.geka.de/garantie>

GEKA® plus water hoses WS300

- Advantage / benefit:.....4-layer hose design, high-quality materials
 pressure-resistant and dimensionally stable
 medium pressure, kink and torsional stability
 flexible and temperature-resistant
 algae-free, weather- and UV-resistant
 phthalate-, PAH-free
 REACh- and RoHS-compliant
 15-year warranty*
- Material:.....core: high-quality black PVC
 intermediate layer: anti-algae protective and support layer, green, PVC
 middle layer: canvas made of highly tear-resistant polyester yarn
 outer layer: high-quality, transparent PVC
- Temperature range: approx. -15 °C to +50 °C
- Colour: transparent green with dark grey, matt stripe
- Area of application: frequent use, medium stress, discerning garden owners, etc.
- Packaging: with cardboard box-display disc and EAN code



Hose size inches	1/2"	1/2"	3/4"	3/4"
Hose ID mm	13	13	19	19
Hose outer diameter mm	16,3	16,3	23,6	23,6
Wall thickness mm	2	2	2,5	2,5
Approx. length m	25	50	25	50
Operating pressure at +20 °C bar	12	12	10	10
Bursting pressure at +20 °C bar	36	36	30	30
PU units	1	1	1	1
Item no.	13.0200.9	13.0201.9	13.0202.9	13.0203.9

5

*more information on warranty conditions:
<http://www.geka.de/garantie>



GEKA® water hoses

GEKA® sprinkler hoses



Advantage / benefit: gentle watering with fine jet spray, uniform water distribution with 3-channel system; can be turned over and used as a drip tube, is supplied with ready-to-connect push-fit system fittings made of metal (connectors and sealing cap); can be extended up to 22.5 m; light-, weather- and ozone-resistant; algae-free; phthalate-free

Material: hose: PVC
connectors, sealing cap, threaded hose fitting: brass

Temperature range: approx. -10 °C to +50 °C

Colour: green

Area of application: perfect for narrow front gardens, difficult-to-access areas and sensitive plants

Packaging: with cardboard box-display disc and EAN code

Approx. length m	7.5	15
Water flow rate at 3 bar l/min	13	13
sprinkled surface	approx. 7.5 m x 3.6 m (approx. 27 m²)	approx. 15 m x 3.6 m (approx. 54 m²)
PU units	1	1
Item no.	16.0000.9	16.0001.9

GEKA® perl hose

5



Advantage / benefit: releases water in drops and ensures that water soaks directly into the ground; waters the roots thereby using up to 70% less water; simply turn on the water and the hose does the rest; can be laid above or below ground; frost-, shatter- and rodent-resistant under ground; delivered with ready-to-connect push-fit system fittings (connectors and sealing cap); no need to uninstall it, can remain under ground even throughout the winter; works even with low water pressure (0.5 bar); resistant to light, weather and ozone; algae- and phthalate- free; the connector reduces the flow and inner pressure in the perl hose to the optimal operating pressure

Material: hose: recycled materials; connector, sealing cap: plastic

Operating pressure: max. 1.5 bar

Temperature range: approx. -10 °C to +50 °C

Colour: black

Area of application: perfect for rows of plants and edge planting, such as flower beds, vegetable gardens and hedges

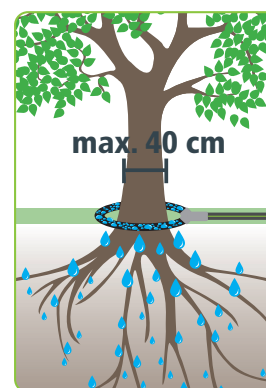
Packaging: cardboard box-display disc and EAN code

Hose ID mm	13
Approx. length m	15
Water flow rate at 0.5 bar l/h/m	5
Water flow rate at 1 bar l/h/m	9
Water flow rate at 1.5 bar l/h/m	11
PU units	1
Item no.	13.0300.9

GEKA® water hoses

GEKA® plus tree irrigation set

- Advantage / benefit:..... **water saving up to 70%**
possible to install above and below ground
sustainable use of recycled materials
UV-resistant, weather- and ozone-resistant,
algae-free and phthalate-free
 the perl hose can be shortened or extended with
 GEKA® plus push-fit system components
 The Y-piece reduces the flow and the internal pressure perl
 hose to the optimum operating pressure
- Area of application:..... **tree irrigation set for water-saving irrigation of**
individual trees and bushes in dry periods
also perfect for new plantings, when the roots are
 not yet firmly anchored in the soil
prevents soil erosion on a hillside thanks to metered
 water delivery
- Material:..... perl hose: recycled materials; GEKA® plus
 push-fit system components: brass, chrome-plated;
 hose clamp: stainless steel
- Temperature range: approx. +4 °C to +50 °C
- Options: hose piece with ball valve (46.0851.8) for regulating the
 amount of water (not included in the scope of delivery)



Packaging	Single product on card, packaging unit with blister strip
Hose ID mm	13
Hose size	1/2"
Hose length m	1.5
Tree diameter max. cm	40
Water flow rate at 0.6 bar l/h	6-12
PU units	5
Item no.	17.1010.8

5

Drinking water hoses



CONTITECH Aquapal hoses

- Advantage / benefit:..... **the drinking water hose meets the requirements**
KTW BWGL: DIN 16421 and VP549
 absolutely odourless and tasteless
 very flexible and traversable
 outer layer is resistant to wear, UV, fats and oils
the hose core is FDA-compliant
 3-year warranty
- Material: NBR outer layer
- Temperature range:..... -30 °C to +90 °C, steam up to +130 °C (max. 30 minutes)
- Area of application: **for temporarily limited transport of drinking water**
 in mobile or stationary hose lines at public events such as fairs,
 outdoor events, etc.



	1/2"	3/4"	1"
Hose size	1/2"	3/4"	1"
Hose ID mm	13	19	25
Approx. length m	40	40	40
Wall thickness mm	3.6	4.2	4.5
Bend radius mm	75	110	145
Operating pressure at +20 °C bar	20	20	20
Weight approx. kg/m	0.250	0.420	0.570
Weight roll approx. kg/roll	10	16.8	22.8
PU units	1	1	1
Item no.	13.1091.9	13.1093.9	13.1094.9



GEKA® suction hose sets

GEKA® suction hose sets with GEKA® suction and pressure couplings SD and foot valve with CR steel strainer



Advantage / benefit:.....smooth inner wall. resistant to kinks, shocks and abrasion
manual insertion of fittings with hose clamps W4

Material:.....plastic, PVC, green, transparent, impact-resistant hard PVC
spiral white;
cadmium- and silicone-free

Temperature range:approx. -5 °C to +60 °C

Connection:GEKA® quick coupling SD

Area of application:**for drainage purposes** in industry, agriculture, horticulture, building construction, civil engineering, etc.

Hose size	1"	1"
Hose ID mm	25	25
Approx. length m	4	7
Wall thickness mm	2.5	2.5
Bend radius mm	100	100
Vacuum-resistant approx. WS m	7	7
Weight approx. kg/m	0.280	0.280
Foot valve size	1"	1"
PU units	1	1
Item no.	13.4002.9	13.4001.9

5

GEKA® construction hose set

Construction hose set with GEKA® quick coupling connection



Advantage / benefit:.....fully assembled with GEKA® quick couplings

Material:.....material inclusion: galvanised steel wire with plastic collar;
outer material: high-strength synthetic fibres (polyester);
inner material: TPR rubber-PVC mix;
quick coupling: brass

Temperature range:up to +25 °C

Colour:.....white

Hose size	1¼"	1½"
Hose ID mm	32	40
Connection	GEKA® quick coupling	
Approx. length m	15	15
Operating pressure bar	10	10
PU units	1	1
Item no.	13.5050	13.5051

Construction hose sets STORZ

Advantage / benefit:..... fully assembled with forged STORZ couplings

Material:..... material inclusion: galvanised steel wire with plastic collar;
outer material: high-strength synthetic fibres (polyester);
inner material: TPR rubber-PVC mix

Temperature range: up to +25 °C

Colour: white

Construction hoses with STORZ-D connection

Hose ID mm	25	25	25	25
Connection	STORZ-D	STORZ-D	STORZ-D	STORZ-D
Approx. length m	10	15	20	30
Operating pressure bar	10	10	10	10
PU units	1	1	1	1
Item no.	13.8596	13.8597	13.8598	13.8599



Construction hoses with STORZ-C connection

Hose ID mm	52	52	52	52
Connection	STORZ-C	STORZ-C	STORZ-C	STORZ-C
Approx. length m	10	15	20	30
Operating pressure bar	10	10	10	10
PU units	1	1	1	1
Pallet quantity, units	117	84	68	54
Item no.	13.8600	13.8601	13.8602	13.8607

Construction hoses with STORZ-B connection

Hose ID mm	75	75	75	75
Connection	STORZ-B	STORZ-B	STORZ-B	STORZ-B
Approx. length m	10	15	20	30
Operating pressure bar	10	10	10	10
PU units	1	1	1	1
Pallet quantity, units	51	46	36	24
Item no.	13.8908	13.8603	13.8604	13.8909

Construction hoses with STORZ-A connection

Hose ID mm	102	102	102	102
Connection	STORZ-A	STORZ-A	STORZ-A	STORZ-A
Approx. length m	10	15	20	30
Operating pressure bar	8	8	8	8
PU units	1	1	1	1
Pallet quantity, units	30	30	24	16
Item no.	13.8910	13.8605	13.8606	13.8911

5



GEKA® flat hoses

GEKA® flat hoses rubber



Advantage / benefit: fully assembled with forged STORZ couplings
 abrasion-resistant, robust and long-lasting
 oil-, petrol- and chemical-resistant
 heat-, ageing- and ozone-resistant
 very low pressure loss and very light, flexible and stable under pressure

Material: hose integration: stainless steel wire
 inner and outer rubber coating: NBR/PVC mix
 inner material: polyamide/polyester, embedded in rubber coating

Structure: ribbed on the outside, smooth on the inside

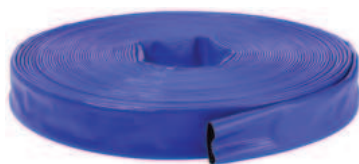
Colour: black

Temperature range: -20 °C to +80 °C

Areas of application: construction and industry
 agriculture, e.g. as irrigation hose and manure hose
 mining and sewer cleaning for heavy-duty use

Hose size	2"	3"
Hose ID mm	52	76
Approx. length m	20	20
Wall thickness mm*	2.5	2.9
Weight kg/m**	0.4	0.65
Connection	Storz C	Storz B
Operating pressure at +20 °C bar	16	16
Bursting pressure	50	50
PU units	1	1
Item no.	13.8700.9	13.8701.9

GEKA® flat hoses PVC



Advantage / benefit: 2-layer with high-strength polyester insert
 robust and resistant
 rollable, easy to store and quick installation
 very light, flexible and stable under pressure
 weather- and UV-resistant, as well as temperature-resistant

Material: inner layer: PVC with rubber additives
 intermediate layer: high-strength polyester braided thread reinforcement
 outer layer: PVC

Structure: outer and inner: smooth

Colour: blue

Temperature range: -10 °C to +60 °C

Areas of application: agriculture and industry
 transport of water
 water drain pipe / drainage
 surface irrigation systems and sprinkler systems
 water supply or supply of liquid manure in agriculture

Hose size	2"	3"	4"
Hose ID mm	51	76	102
Approx. length m	50	50	50
Wall thickness mm*	1.8	2.0	2.0
Weight kg/m**	0.36	0.6	0.85
Connection	-	-	-
Operating pressure at +20 °C bar	8	8	8
Bursting pressure	24	24	24
PU units	1	1	1
Item no.	13.8720.9	13.8721.9	13.8722.9

* +/-10%

**hose without integration

GEKA® plus watering wand Comfort

Watering head with replaceable plate

Watering head with bayonette fitting

Spare parts see chapter 11



GEKA® plus watering wand Comfort

Advantage / benefit: **high-quality ergonomic watering wand with handle valve for fatigue-free watering and maximum comfort**
 handle valve for **precise water dosage with locking mechanism**
 rubber pad provides thermal insulation and **protects the hands against cold water flow**
 watering head for large, soft water spray with replaceable plate and protection ring
high water flow, thus ideal for professional use
reinforced pipe more resistant
dirt filter inserted at the cap nut prevents deposits
bayonet fitting makes changing the watering head easy with just a click
 compatible with all GEKA® plus watering and spray heads with bayonet fittings
 with watering head (50.5433.9) in size M with fine water spray and replaceable plate

Material: watering head (50.5433.9), outlet pipe, cap nut: aluminium; plate: stainless steel; protection ring: EPDM; handle valve: aluminium, brass, EPDM; bayonet catch, quick coupling: brass; push-fit connector (50.5428.9): brass, chrome-plated

Colour: rubber pad and protection ring: dark grey

Connection: GEKA® plus quick coupling suitable for hose sizes from 3/8" to 1 1/2"; 50.5414.9 with GEKA® plus push-fit connector

Options: large selection of GEKA® plus watering and spray heads with bayonet fitting

Connection	GEKA® plus quick coupling				GEKA® plus push-fit connector
Water flow rate at 3 bar l/min	35	35	35	35	35
Sieve hole Ø mm	0.7	0,7	0,7	0,7	0.7
Pipe Ø in mm	19 x 1	19 x 1	19 x 1	19 x 1	19 x 1
Pipe bend	35°	35°	35°	35°	35°
Pipe length in cm	40	60	90	120	60
PU units	1	1	1	1	1
Item no.	50.5410.9	50.5411.9	50.5412.9	50.5413.9	50.5414.9

6



Bayonet fitting makes changing the watering head easy with just a click



Handle valve for comfortable operation and precise dosage



50.5414.9: with GEKA® plus push-fit connector



Plate which makes it easy to clean or change



Rubber protection ring to protect your product from damage



Dirt filter prevents deposits

You can find products on cards in chapter 4 "Push-fit system"



GEKA® plus watering wand Classic Plus

Watering head with replaceable plate

Watering head with bayonette fitting

Spare parts see chapter 11

GEKA® plus watering wand Classic Plus

Advantage / benefit: **robust watering wand** with practical ball valve for one-handed operation and comfortable, non-slip handle
individually positioned lever
 handle with **soft grip cover** provides thermal insulation and **protects hands against cold water flow**
 watering head for large, soft water spray with replaceable plate and protection ring
high water flow, thus ideal for professional use
reinforced pipe more resistant
dirt filter inserted at the cap nut prevents deposits
bayonet fitting makes changing the watering head easy with just a click
 compatible with all GEKA® plus watering and spray heads with bayonet fitting
 with watering head (50.5433.9) in size M with fine water spray and replaceable plate

Material: watering head, outlet pipe and cap nut: aluminium;
 plate: stainless steel; protection ring: EPDM;
 handle: plastic made of PA and TPE;
 ball valve: aluminium chrome-plated;
 bayonet catch, quick coupling: brass;
 push-fit connector (50.5428.9): brass, chrome-plated

Colour: handle: dark grey, grey; toggle is dark grey;
 protection ring: dark grey

Connection: GEKA® plus quick coupling suitable for hose sizes from 3/8" to 1 1/2"; 50.5409.9 with GEKA® plus push-fit connector

Options: large selection of GEKA® plus watering and spray heads with bayonet fitting



Connection	GEKA® plus quick coupling				GEKA® plus push-fit connector
Water flow rate at 3 bar l/min	92	92	92	92	62
Sieve hole Ø mm	0,7	0,7	0,7	0,7	0,7
Pipe Ø in mm	19 x 1	19 x 1	19 x 1	19 x 1	19 x 1
Pipe bend	35°	35°	35°	35°	35°
Pipe length in cm	40	60	90	120	60
PU units	1	1	1	1	1
Item no.	50.5405.9	50.5406.9	50.5407.9	50.5408.9	50.5409.9



Bayonet fitting makes changing the watering head easy with just a click



Handle with soft grip cover



50.5409.9: with GEKA® plus push-fit connector



Plate which makes it easy to clean or change



Rubber protection ring to protect your product from damage



Dirt filter prevents deposits

You can find products on cards in chapter 4 "Push-fit system"

6



GEKA® plus watering wand Classic

Watering head with bayonette fitting

Spare parts see chapter 11



GEKA® plus watering wand Classic

Advantage / benefit:**robust watering wand** with practical ball valve for one-handed operation
individually positioned toggle
soft rubber grip at the outlet pipe
 watering head for generous, soft water spray
large water flow, making it perfect for professional use
reinforced pipe more resistant
dirt filter inserted at cap nut prevents deposits
bayonet fitting for comfortable change of watering head with a click
 compatible with all GEKA® plus watering heads with bayonet fitting
 with watering head (50.5432.9) in size M with fine water spray

Material:.....watering head, outlet pipe and cap nut: aluminium;
 ball valve: chrome-plated brass;
 bayonet catch, quick coupling: brass;
 push-fit connector (50.5428.9): chrome-plated brass;
 rubber grip: NBR-foamed, black

Colour:.....toggle: grey

Connection:GEKA® plus quick coupling suitable for hose sizes from 3/8" to 1 1/2", 50.5404.9 with GEKA® plus push-fit connector

Options:large selection of GEKA® plus watering and spray heads with bayonet fitting

Connection	GEKA® plus quick coupling				GEKA® plus push-fit connector
Water flow rate at 3 bar l/min	92	92	92	92	62
Sieve hole Ø mm	0.7	0.7	0.7	0.7	0.7
Pipe Ø in mm	19 x 1	19 x 1	19 x 1	19 x 1	19 x 1
Pipe bend	35°	35°	35°	35°	35°
Pipe length in cm	40	60	90	120	60
PU units	1	1	1	1	1
Item no.	50.5400.9	50.5401.9	50.5402.9	50.5403.9	50.5404.9

6



Bayonet fitting makes changing the watering head easy with just a click



Individually positioned toggle



50.5404.9: with GEKA® plus push-fit connector



Smooth-running ball valve ...



... can be operated with one hand.



Dirt filter prevents deposits

You can find products on cards in chapter 4 "Push-fit system"



GEKA® plus watering wand Vario Plus

Watering head with replaceable plate

Watering head with bayonette fitting

Spare parts see chapter 11

GEKA® plus watering wand Vario Plus

Advantage / benefit: **robust watering wand with rotatable telescopic outlet pipe** and practical ball valve with handle handle with **soft grip cover** provides thermal insulation particularly **light thanks to ball valve made of aluminium** watering head for generous, soft water spray with replaceable plate and protection ring **large water flow**, thus ideal for professional use **dirt filter** prevents deposits **bayonet fitting** makes changing the watering head easy with just a click compatible with all GEKA® plus watering and spray heads with bayonet fitting with watering head (50.5433.9) in size M with fine water spray and replaceable plate

Material: watering head, telescopic outlet pipe and cap nut: aluminium; plate: stainless steel; protection ring: EPDM; handle: plastic made of PA and TPE; handle at outlet pipe: TPE; bayonet catch, quick coupling: brass; ball valve: aluminium chrome-plated; toggle: stainless steel, plastic-coated

Colour:..... handle: dark grey, grey; toggle is dark grey; protection ring: dark grey

Connection: GEKA® plus quick coupling suitable for hose sizes from 3/8" to 1 1/2"

Options: large selection of GEKA® plus watering and spray heads with bayonet fitting

Area of application: highly recommended for watering inaccessible wall, balcony, hanging, terrestrial, roadside and hillside vegetation

Water flow rate at 3 bar l/min	92	92
Sieve hole Ø mm	0.7	0.7
Pipe Ø in mm	20 x 1.25 + 17 x 1.5	20 x 1.25 + 17 x 1.5
Pipe bend	35°	35°
Pipe length in cm	80-140	145-225
PU units	1	1
Item no.	50.5415.9	50.5416.9

Water flow rate at 3 bar l/min	92	92
Sieve hole Ø mm	0.7	0.7
Pipe Ø in mm	20 x 1.25 + 17 x 1.5	20 x 1.25 + 17 x 1.5
Pipe bend	135°	135°
Pipe length in cm	145-225	240-400
PU units	1	1
Item no.	50.5417.9	50.5418.9



6



Bayonet fitting makes changing the watering head easy with just a click



Handle with soft grip cover



Plate which makes it easy to clean or change



Dirt filter prevents deposits



Individual parts for GEKA® plus watering wands

With bayonette fitting



GEKA® plus watering heads Soft Rain microfine S and fine S

Material: aluminium; bayonet catch: brass;
plate: aluminium
Seal: flat seal ring

Connection	GEKA® plus bayonet fitting for watering heads	
Sieve hole Ø mm	0.4	0.7
Plate Ø in mm	30	30
Size	S	S
Water spray	microfine	fine
PU units	10	10
Item no.	50.5429.9	50.5430.9



GEKA® plus watering heads Soft Rain fine M and M

Material: aluminium; bayonet catch: brass;
plate: aluminium
Seal: flat seal ring

Connection	GEKA® plus bayonet fitting for watering heads	
Sieve hole Ø mm	0.7	1.0
Plate Ø in mm	50	50
Size	M	M
Water spray	fine	standard
PU units	10	10
Item no.	50.5432.9	50.5434.9

6

With replaceable plate



GEKA® plus watering heads Soft Rain M, fine M and microfine M

Advantage / benefit: watering head with replaceable plate and protection ring
Material: aluminium; bayonet catch: brass;
plate: stainless steel; protection ring: EPDM
Seal: flat seal ring

Connection	GEKA® plus bayonet fitting for watering heads		
Sieve hole Ø mm	0.4	0.7	1.0
Plate Ø in mm	50	50	50
Size	M	M	M
Water spray	microfine	fine	standard
PU units	10	10	10
Item no.	50.5431.9	50.5433.9	50.5435.9



You can find products on cards in chapter 4 "Push-fit system"

Individual parts for GEKA® plus watering wands

With bayonette fitting

GEKA® plus spray head Soft Rain L

Advantage / benefit: spray head with protection ring
 Material: aluminium; bayonet catch: brass;
 plate: aluminium; protection ring: EPDM
 Seal: flat seal ring

Connection	GEKA® plus bayonet fitting for watering heads
Sieve hole Ø mm	0.7
Plate Ø in mm	72
Size	L
PU units	1
Item no.	50.5444.9



GEKA® plus spray head Soft Rain XL

Advantage / benefit: spray head with protection ring
 Material: aluminium; bayonet catch: brass;
 plate: aluminium; protection ring: EPDM
 Seal: flat seal ring

Connection	GEKA® plus bayonet fitting for watering heads
Sieve hole Ø mm	0.8
Plate Ø in mm	100
Size	XL
PU units	1
Item no.	50.5445.9



GEKA® plus spray head Soft Rain XXL

Advantage / benefit: spray head with protection ring
 Material: aluminium; bayonet catch: brass;
 plate: aluminium; protection ring: EPDM
 Seal: flat seal ring

Connection	GEKA® plus bayonet fitting for watering heads
Sieve hole Ø mm	0.8
Plate Ø in mm	150
Size	XXL
PU units	1
Item no.	50.5446.9



6

You can find products on cards in chapter 4 "Push-fit system"





GEKA® plus spray head Soft Rain XL stainless steel

Advantage / benefit: spray head made of stainless steel with protection ring

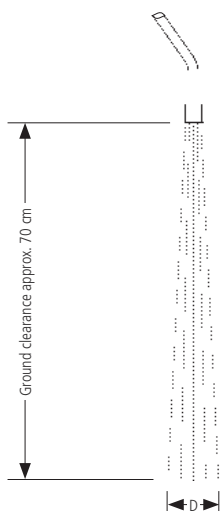
Material: stainless steel; bayonet catch: brass;
plate: stainless steel; protection ring: EPDM

Seal: flat seal ring

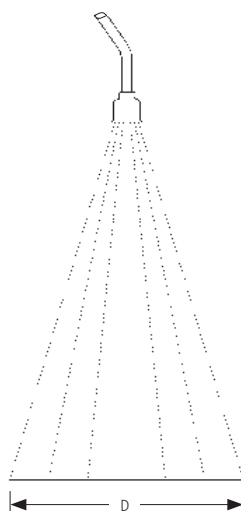


Connection	GEKA® plus bayonet fitting for watering heads
Sieve hole Ø mm	0.8
Plate Ø in mm	103
Size	XL
PU units	1
Item no.	50.5447.9

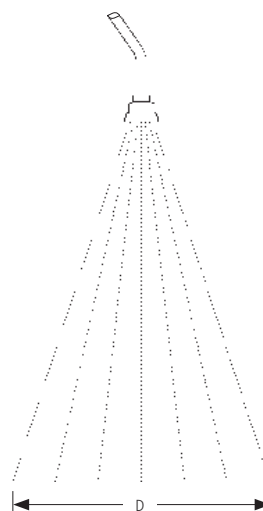
6



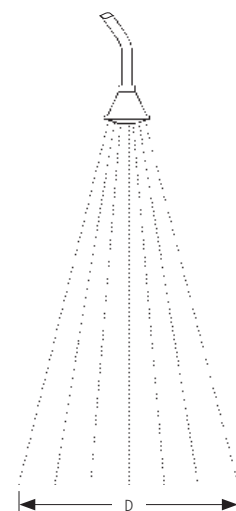
Item no.	Sieve hole Ø mm	D approx. Ø cm
50.5429.9	0.4	10
50.5430.9	0.7	15



Item no.	Sieve hole Ø mm	D approx. Ø cm
50.5432.9	0.7	45
50.5434.9	1.0	55



Item no.	Sieve hole Ø mm	D approx. Ø cm
50.5431.9	0.4	40
50.5433.9	0.7	50
50.5435.9	1.0	65



Item no.	Sieve hole Ø mm	D approx. Ø cm
50.5444.9	0.7	40
50.5445.9	0.8	60
50.5446.9	0.8	50
50.5447.9	0.8	60

Individual parts for GEKA® plus watering wands

Spare parts
see
chapter 11

GEKA® plus lever valve Soft Rain L

Advantage / benefit: **ergonomic lever valve for precise water dosage with locking mechanism**
rubber pad provides thermal insulation
 compatible with all GEKA® plus outlet pipes Soft Rain and GEKA® plus threaded fittings Soft Rain (50.5427.9, 50.5460.9), as well as the GEKA® plus push-fit connector Soft Rain (50.5428.9)

Material: : aluminium, brass;
 valve parts: stainless steel, aluminium, NBR;
 lever: brass; rubber pad: EPDM

Colour:..... rubber pad: dark grey



Valve female thread in mm	24.66
Valve female thread	G3/4
Valve male thread in mm	26.44
Valve male thread	G3/4
Approx. length in mm	158
Size	L
PU units	1
Item no.	50.5421.9

Spare parts
see
chapter 11

GEKA® plus ball valve Soft Rain

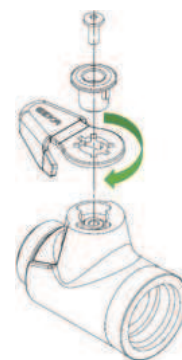
Advantage / benefit: **ball valve with practical lever for one-handed operation individually positioned lever**
large water flow, thus ideal for professional use
 with flat seal ring for reliable sealing
 compatible with all GEKA® plus outlet pipes Soft Rain and GEKA® plus threaded fittings Soft Rain (50.5427.9, 50.5460.9), as well as the GEKA® plus push-fit connector Soft Rain (50.5428.9)

Material: ball: brass hard chrome-plated with PTFE seals;
 spindle: brass with NBR seal ring; toggle and fixing screw: stainless steel; toggle is plastic-coated

Operating pressure:..... max. 20 bar

Seal:..... ball with PTFE seals; spindle with NBR seal ring

Colour:..... toggle is dark grey



Individually positioned lever

Housing material	Brass, chrome-plated	Aluminium chrome-plated
Female thread in mm	24.66	24.66
Female thread	G3/4	G3/4
Male thread in mm	26.44	26.44
Male thread	G3/4	G3/4
Nominal size in mm	13	13
Nominal size	1/2"	1/2"
Approx. length in mm	60	60
Weight g	333	149
PU units	1	1
Item no.	50.5419.9	50.5459.9

6



Individual parts for GEKA® plus watering wands



GEKA® plus soft handle Soft Rain

Advantage / benefit: handle with **soft grip cover** provides thermal insulation for use with the GEKA® plus ball valve Soft Rain (50.5419.9 and 50.5459.9) with O-ring for reliable sealing compatible with all GEKA® plus threaded fittings Soft Rain (50.5427.9, 50.5460.9), as well as the GEKA® plus push-fit connector Soft Rain (50.5428.9)

Material: handle: plastic made of PA and TPE
 Colour: grey, dark grey

Female thread in mm	24.66
Female thread	G3/4
Male thread in mm	26.44
Male thread	G3/4
PU units	1
Item no.	50.5420.9

With bayonette fitting



GEKA® plus outlet pipes Soft Rain

Advantage / benefit: outlet pipes suitable for all GEKA® plus watering and spray heads Soft Rain with GEKA® plus bayonet fitting or adapter, as well as the GEKA® plus handle valve and ball valve Soft Rain
reinforced tube more resistant on the union nut
dirt filter prevents deposits
bayonet fitting makes changing the watering head easy with just a click

Material: pipe and cap nut: aluminium;
 bayonet catch: brass

Nut thread in mm	24.66	24.66	24.66	24.66	24.66
Nut thread	G3/4	G3/4	G3/4	G3/4	G3/4
Connection	GEKA® plus bayonet fitting for watering heads				
Pipe Ø in mm	19 x 1	19 x 1	19 x 1	19 x 1	19 x 1
Pipe bend	35°	35°	35°	35°	35°
Pipe length in cm	20	40	60	90	120
PU units	1	1	1	1	1
Item no.	50.5463.9	50.5423.9	50.5424.9	50.5425.9	50.5426.9

6

With bayonette fitting



50.5451.9



50.5452.9

GEKA® plus bayonet adapter Soft Rain

Advantage / benefit: using the adapter watering and spray heads with G 3/4 female or male thread can be fitted on GEKA® plus watering wands Soft Rain with bayonet fitting

Material: brass

Female thread in mm	24.66
Female thread	G3/4
Male thread in mm	26.44
Male thread	G3/4
PU units	10
Item no.	50.5451.9
	50.5452.9



Individual parts for GEKA® plus watering heads

GEKA® plus threaded part Soft Rain with male thread

Advantage / benefit: compatible with the GEKA® plus watering heads Soft Rain Classic, Classic plus, Comfort and Vario plus with O-ring for reliable sealing

Material: brass

Seal:..... GEKA® plus high-performance moulded seal ring, form 300 NBR (300C), patented

Male thread in mm	26.44
Male thread	G3/4
PU units	10
Item no.	50.5460.9



GEKA® plus threaded part Soft Rain rotatable with male thread

Advantage / benefit: prevents hose from twisting
optimal protection and reliability of hose
compatible with the GEKA® plus watering wands Soft Rain Classic, Classic plus, Comfort and Vario plus with O-ring for reliable sealing

Material: brass

Seal:..... GEKA® plus high-performance moulded seal ring, form 300 NBR (300C), patented

Special note: a 14 mm Allen key is required for fitting

Male thread in mm	26.44
Male thread	G3/4
PU units	10
Item no.	50.5427.9



6

GEKA® plus push-fit connector Soft Rain brass chrome-plated

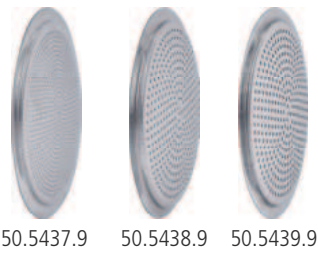
Advantage / benefit: can be combined with the GEKA® plus push-fit system and all common push-fit systems
compatible with the GEKA® plus watering wands Soft Rain classic, classic plus, comfort and Vario plus with O-ring for reliable sealing

Material: brass, chrome-plated

Male thread in mm	26.44
Male thread	G3/4
PU units	10
Item no.	50.5428.9



Individual parts for GEKA® plus watering heads



GEKA® plus plates Soft Rain microfine M, fine M and M

Advantage / benefit: replaceable plates in size M for microfine, fine and standard spray types
 Material: stainless steel

Sieve hole Ø mm	0.4	0.7	1.0
Plate Ø in mm	50	50	50
Size	M	M	M
Water spray	microfine	fine	standard
For Item no.	50.5431.9, 50.5433.9, 50.5435.9		
PU units	10	10	10
Item no.	50.5437.9	50.5438.9	50.5439.9

6



GEKA® plus protection rings Soft Rain M, L, XL and XXL

Advantage / benefit: the protection ring prevents wear and tear and damage to the watering or spray head and helps it to last longer
 Material: rubber

Size	M	L	XL	XXL
Diameter in mm	50	72	100	150
For Item no.	50.5431.9, 50.5433.9, 50.5435.9	50.5444.9	50.5445.9	50.5446.9
PU units	10	10	10	10
Item no.	50.5436.9	50.5448.9	50.5449.9	50.5450.9



GEKA® plus flat seal ring for plate

Material: EPDM

For Item no.	50.5439.9, 50.5438.9, 50.5437.9
PU units	5
Item no.	50.5443.9



Flat seal ring 50.5443.9
 Plate 50.5439.9, 50.5438.9, 50.5437.9
 Protection ring 50.5436.9

You can find products on cards in chapter 4 "Push-fit system"

Spare parts for GEKA® plus watering wands

GEKA® plus dirt filter

Advantage / benefit: prevents deposits

Material: fabric V2A, NBR seal

PU units	1
Item no.	50.5252.9



At a glance































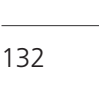



Showers for your GEKA® plus watering wand or your GEKA® plus watering shower

The right "rain" for every plant:
From spray to soft jet



50.2594.9, 50.2596.9,
50.2599.9, 50.2120.9

49.6460.9, 49.6480.9

		GEKA® plus watering head aluminium	50.6169.9	Female G3/4	●	●
		GEKA® plus watering heads aluminium	50.6399.9	Female G3/4 Sieve hole ø 0.7 mm	●	●
		GEKA® plus watering heads plastic/aluminium	50.7399.9	Female G3/4 Sieve hole ø 0.7 mm	●	●
		GEKA® plus universal washing head aluminium/brass	50.7397.9	Female G3/4 Sieve hole ø 1 mm	●	●
		GEKA® plus universal washing head aluminium/brass	55.5395.9	Female G3/4	●	●
		GEKA® plus spray heads Soft Rain aluminium	50.7922.9	Female G3/4	●	●
		GEKA® plus spray heads stainless steel	50.7923.9	Male G3/4		
		GEKA® plus spray heads brass	55.5000.9	Female G3/4	●	●
		GEKA® plus spray heads brass	55.5001.9	Male G3/4		
		GEKA® plus spray heads brass	55.5050.9	Female G3/4	●	●
		GEKA® plus spray heads brass	55.5051.9	Male G3/4		
		GEKA® plus super shower brass	55.6050.9	Female G3/4	●	●
		GEKA® hair shower aluminium/brass	55.4500.9	small push-fit cone		
		GEKA® pot shower aluminium/brass	55.4501.9	small push-fit cone		
		GEKA® spoon shower aluminium/brass	55.2540.9	small push-fit cone		
		GEKA® full-jet nozzle brass	55.5200.9	Male G3/4		
		GEKA® plus acorn duster brass	55.4892.9	M 11x1		
		Fan nozzles aluminium	52.5282.9	Male G3/4 Nozzle hole ø 2 mm		
			52.5283.9	Male G3/4 Nozzle hole ø 3 mm		

6





51.5300.9

51.5310.9

51.5470.9

51.5250.9, 51.5251.9

51.5330.9

50.4594.9, 50.4596.9,
50.4599.9, 50.4620.9

49.1460.9, 49.1480.9

51.5300.9	51.5310.9	51.5470.9	51.5250.9, 51.5251.9	51.5330.9	50.4594.9, 50.4596.9, 50.4599.9, 50.4620.9	49.1460.9, 49.1480.9
		•		•	•	•
		•		•	•	•
		•		•	•	•
		•		•	•	•
		•		•	•	•
				•	•	•
		•		•	•	•
	•		•			
		•		•	•	•
	•		•			
		•		•	•	•
	•		•			
		•		•	•	•
•						
•						
•						
	•		•			
•						
	•		•			
	•		•			

6



GEKA® plus irrigation showers

Spare parts
see
chapter 11



GEKA® plus irrigation shower

Advantage / benefit: **handle valve with locking clamp for continuous operation**
 Material: device body: aluminium; lever: brass;
 GEKA® plus connection: brass, chrome-plated
 Area of application: fine **water dosing enables use for outdoor plants** as well as
spraying and cleaning of "market-fresh" vegetables;
 in industry: for **metering and filling**
 (chemical-resistant to a limited extent) or for the coarse
cleaning of machines, equipment, vehicles and
units in agriculture and construction, industry, etc.

Female thread connection mm	24.66
Female thread connection	G3/4
Connection male thread mm	26.44
Water flow rate at 3 bar l/min	approx. 47
PU units	1
Covering box units	20
Item no.	51.5250.9



GEKA® plus irrigation shower plastic/metal

Advantage / benefit: **thermal insulation for use with cold and hot water**
 Material: device body: plastic PP;
 lever and threaded connections: brass;
 GEKA® plus connection: brass, chrome-plated

Female thread connection mm	24.66
Female/male threaded connection	G3/4
Connection male thread mm	26.44
Water flow rate at 3 bar l/min	approx. 47
PU units	1
Item no.	51.5251.9

6

GEKA® plus CC watering bar



GEKA® plus CC watering bar

Advantage / benefit: **perfect for watering plants in CC containers,**
also suitable for very narrow etagères
 Material: aluminium;
 GEKA® plus connection: brass, chrome-plated
 Connection: GEKA® plus quick coupling

Number of nozzle holes	32
Pipe length in cm	65
PU units	1
Item no.	51.5115.9



GEKA® plus irrigation wands Soft Rain *metal*

Spare parts
see
chapter 11

GEKA® plus irrigation wands Soft Rain with metal watering head

Advantage / benefit: **quantity control valve** (ball valve)
with rotatable and replaceable outlet pipe and
watering head for large-scale, soft water spray

Material: watering head (50.6399.9), outlet pipe and cap nut: aluminium;
soft handle: plastic Thermoflex; threaded insert: brass;
ball valve (50.5548): brass nickel-plated;
ball: hard chrome-plated with O-rings PTFE;
toggle: stainless steel; dirt filter with flat seal ring:
plastic PE, fabric V2A;
GEKA® plus quick coupling: brass

Colour: handle black; toggle painted in red

Connection: GEKA® plus quick coupling,
suitable for hose sizes from 3/8" to 1½"

Options: **large selection of watering heads, showers and nozzles**
on the following pages
outlet pipe either 40 cm, 60 cm, 90 cm or 120 cm long
with cap nut



Water flow rate at 3 bar l/min	approx. 87	approx. 87	approx. 87	approx. 87
Sieve hole Ø mm	0.7	0.7	0.7	0.7
Pipe Ø in mm	19 x 1	19 x 1	19 x 1	19 x 1
Pipe bend	35°	35°	35°	35°
Pipe length in cm	40	60	90	120
PU units	1	1	1	1
Covering box units	20	10	10	10
Item no.	50.2594.9	50.2596.9	50.2599.9	50.2120.9

GEKA® plus watering wands Soft Rain *plastic/metal*

6

GEKA® plus watering wands Soft Rain with plastic/metal watering head

Advantage / benefit: **quantity control valve** (ball valve)
with rotatable and replaceable outlet pipe and
watering head for large-scale, soft water spray

Material: watering head (50.7399.9): plastic; outlet pipe with cap nut and
watering head plate: aluminium; soft handle: plastic Thermoflex;
ball valve (50.5649): plastic PP COP/POM with O-ring EPDM;
dirt filter with flat seal ring: plastic PE, fabric V2A;
GEKA® plus quick coupling: brass

Colour: ball valve, handle and watering head black; lever red

Connection: GEKA® plus quick coupling,
suitable for hose sizes from 3/8" to 1½"

Options: **large selection of watering heads, showers and nozzles**
on the following pages
outlet pipe either 40 cm, 60 cm, 90 cm or 120 cm long
with cap nut



Water flow rate at 3 bar l/min	approx. 87	approx. 87	approx. 87	approx. 87
Sieve hole Ø mm	0.7	0.7	0.7	0.7
Pipe Ø in mm	19 x 1	19 x 1	19 x 1	19 x 1
Pipe bend	35°	35°	35°	35°
Pipe length in cm	40	60	90	120
PU units	1	1	1	1
Item no.	50.4594.9	50.4596.9	50.4599.9	50.4620.9



GEKA® plus watering wands Soft Rain KX



GEKA® plus watering wand Soft Rain KX metal with watering head

Advantage / benefit: **quantity control valve** (ball valve) with rotatable and replaceable outlet pipe and **watering head for large-scale, soft water spray**

Material: watering head (50.6399.9), outlet pipe and cap nut: aluminium; handle: aluminium with plastic collar black; threaded insert: brass; ball valve (51.5469.9): brass nickel-plated; ball: hard chrome-plated with O-rings PTFE; dirt filter with flat seal ring: plastic PE, fabric V2A; GEKA® plus connection: brass, chrome-plated

Colour: handle black; toggle painted in red

Connection: GEKA® plus quick coupling, suitable for hose sizes from 3/8" to 1½"

Options: **large selection of watering heads, showers and nozzles** on the following pages.
outlet pipe either 40 cm or 60 cm long

Water flow rate at 3 bar l/min	approx. 87	approx. 87
Sieve hole Ø mm	0.7	0.7
Pipe Ø in mm	19 x 1	19 x 1
Pipe bend	35°	35°
Pipe length in cm	40	60
Total length approx. cm	60	80
PU units	1	1
Covering box units	10	10
Item no.	49.6460.9	49.6480.9

6 GEKA® plus watering wands Soft Rain PX



GEKA® plus watering wands Soft Rain PX plastic/metal

Advantage / benefit: **quantity control valve** (ball valve) with rotatable and replaceable outlet pipe and **watering head for large-scale, soft water spray**

Material: watering head (50.7399L) and handle: plastic; outlet pipe with cap nut and watering head plate: aluminium; ball valve (50.5649): plastic PP COP/POM with O-ring EPDM; dirt filter with flat seal ring: plastic PE, fabric V2A; GEKA® plus connection: brass, chrome-plated

Colour: ball valve, handle and watering head: black; lever: red

Connection: GEKA® plus quick coupling, suitable for hose sizes from 3/8" to 1½"

Options: **large selection of watering heads, showers and nozzles** on the following pages
outlet pipe either 40 cm or 60 cm long

Water flow rate at 3 bar l/min	approx. 87	approx. 87
Sieve hole Ø mm	0.7	0.7
Pipe Ø in mm	19 x 1	19 x 1
Pipe bend	35°	35°
Pipe length in cm	40	60
Total length approx. cm	60	80
PU units	1	1
Covering box units	10	10
Item no.	49.1460.9	49.1480.9

GEKA® plus watering wand Multi *metal*

Spare parts
see
chapter 11

GEKA® plus watering wand Multi without watering head

- Advantage / benefit: **quantity control valve (ball valve) with rotatable and replaceable outlet pipe**
- Material: outlet pipe (51.7060.9) and cap nut: aluminium; handle: aluminium with plastic collar black; threaded insert: brass; ball valve (51.5469.9): brass nickel-plated; ball: hard chrome-plated with O-rings PTFE; dirt filter with flat seal ring: plastic PE, fabric V2A; GEKA® plus quick coupling: brass, chrome-plated
- Colour: handle black; toggle painted in red
- Connection: GEKA® plus quick coupling, suitable for hose sizes from 3/8" to 1½"
- Area of application: **universal hose watering wand thanks to large selection (on the following pages) of combinable watering heads, showers and nozzles for diverse watering tasks**

Water flow rate at 3 bar l/min	approx. 104
Pipe Ø in mm	19 x 1
Pipe bend	35°
Pipe length in cm	60
PU units	1
Covering box units	20
Item no.	51.5470.9



GEKA® plus watering wand Multisport *metal*

Ideal for
large area
irrigation

Spare parts
see
chapter 11

6

GEKA® plus watering wand Multisport with fan nozzle

- Advantage / benefit: **quantity control valve (ball valve) with rotatable and replaceable outlet pipe**
- Material: outlet pipe, fan nozzle (52.5282) and cap nut: aluminium; handle: aluminium with plastic collar black; ball valve (51.5471): brass nickel-plated; ball: hard chrome-plated with O-rings PTFE; dirt filter with flat seal ring: plastic PE, fabric V2A; GEKA® plus quick coupling: brass, chrome-plated
- Connection: GEKA® plus quick coupling, suitable for hose sizes from 3/8" to 1½"
- Area of application: for diverse watering tasks, **highly recommended for watering large areas**

Water flow rate at 3 bar l/min	approx. 45
Number of nozzle holes	16
Nozzle hole Ø mm	2.0
Pipe Ø in mm	19 x 1
Pipe length in cm	40
PU units	1
Covering box units	10
Item no.	51.5570.9



GEKA® plus watering wands Sport and Sport-Light

Ideal for large area irrigation

GEKA® plus watering wand Sport



Material: fan nozzle and outlet pipe: aluminium;
valve: brass nickel-plated; GEKA® quick coupling: brass

Connection: GEKA® quick coupling
suitable for hose sizes from 3/8" to 1½"

Number of nozzle holes	16
Water flow rate at 3 bar l/min	approx. 39
Nozzle hole Ø mm	2.0
Pipe length in cm	40
PU units	1
Covering box units	10
Item no.	51.5510.9

GEKA® plus watering wand Sport-Light



Material: fan nozzle and outlet pipe: aluminium;
GEKA® plus quick coupling: brass

Connection: GEKA® plus quick coupling
suitable for hose sizes from 3/8" to 1½"

Connection	GEKA® plus
Water flow rate at 3 bar l/min	approx. 39
Number of nozzle holes	16
Nozzle hole Ø mm	2.0
Pipe length in cm	40
PU units	1
Covering box units	10
Item no.	51.5511.9

6

GEKA® plus outdoor watering wand *metal*

GEKA® plus outdoor watering wand without watering head



Advantage / benefit: **large push-fit cone** with female thread
in industry: **for fine dosing and filling**
(chemical-resistant to a limited extent)
in the gardening: **finest water dosing for outdoor plants**
is made possible by the large selection of watering heads,
showers and nozzles in conjunction with the one-hand
quick-action valve

Handling: one-hand quick-action valve with **locking element for continuous operation** (half and full power)

Material: aluminium; outlet pipe: aluminium;
one-hand quick-action valve: aluminium (Ø 30 mm);
GEKA® plus quick coupling: brass, chrome-plated

Connection: push-fit cone with female thread; GEKA® plus quick coupling
suitable for hose sizes from 3/8" to 1½"

Special note: outlet pipe is tightly screwed to the valve body

Female thread connection mm	24.66
Female thread connection	G3/4
Water flow rate at 3 bar l/min	approx. 60
Pipe Ø in mm	20.5 x 2.75
Pipe bend	35°
Pipe length in cm	35
PU units	1
Covering box units	10
Item no.	51.5310.9

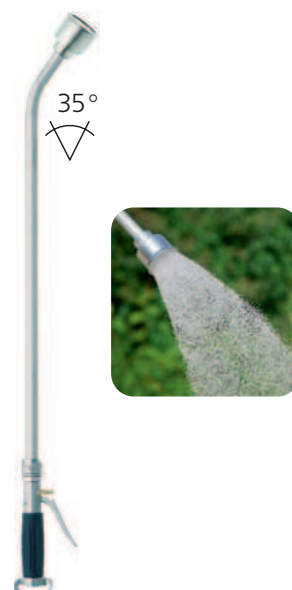


GEKA® plus combined watering wand TF *metal*

GEKA® plus combined watering wand TF with watering head

- Advantage / benefit: rotatable and replaceable outlet pipe with dirt filter, **watering wand with handle valve**
- Handling: with locking element for continuous operation (half and full power)
- Material: watering head (50.6399.9) and outlet pipe: aluminium; GEKA® plus quick coupling: brass, chrome-plated
- Connection: GEKA® plus quick coupling suitable for hose sizes from 3/8" to 1½"
- Options: **large selection of watering heads, showers and nozzles** on the following pages

Connection male thread mm	26.44
Connection male thread	G3/4
Water flow rate at 3 bar l/min	approx. 32
Pipe Ø in mm	19 x 1
Pipe bend	35°
Pipe length in cm	60
PU units	1
Covering box units	100
Item no.	51.5330.9



GEKA® plus pot watering wand *metal*

GEKA® plus pot watering wand without watering head

- Advantage / benefit: **watering wand with handle valve**
small push-fit cone with female thread
for attaching showers
- Handling: one-hand quick-action valve with **locking element for continuous operation** (half and full power)
- Material: outlet pipe with cap nut: aluminium; push-fit cone: brass; GEKA® plus quick coupling: brass, chrome-plated
- Connection: push-fit cone with female thread; GEKA® plus quick coupling suitable for hose sizes from 3/8" to 1½"
- Use: **for targeted watering of pot plants**

Female thread connection	M 11 x 1
Water flow rate at 3 bar l/min	approx. 30
Pipe Ø in mm	14 x 1.5
Pipe bend	35°
Pipe length in cm	60
PU units	1
Covering box units	20
Item no.	51.5300.9



6



GEKA® plus watering wands Vario *metal*

Advantage / benefit: **quantity control valve (ball valve) with rotatable and pull-out telescopic outlet pipe and watering head for large-scale, soft water spray**

Material: GEKA® plus quick coupling: brass; ball valve (50.5548): brass nickel-plated; ball: hard chrome-plated; moulded handles, clamping nut and threaded sleeve: plastic PVC/PA; moulded seal ring: PP/EPDM fully cross-linked; watering head: aluminium; threaded insert: brass; telescopic outlet pipe: aluminium

Connection: GEKA® plus quick coupling suitable for hose sizes from 3/8" to 1 1/2"

Options: **telescopic outlet pipe either 80 cm long (can be extended to approx. 140 cm, pipe bend 35°) or 145 cm long (can be extended to approx. 225/400 cm, pipe bend 35°/135°) large selection of watering heads, showers and nozzles on the following pages**

Area of application: highly recommended **for watering inaccessible wall, balcony, hanging, terrestrial, roadside and hillside vegetation**



GEKA® plus watering wands Vario

Water flow rate at 3 bar l/min	approx. 66	approx. 66
Sieve hole Ø mm	0.7	0.7
Pipe Ø in mm	20 x 1.25	20 x 1.25
Pipe bend	35°	35°
Pipe length in cm	80-140	145-225
PU units	1	1
Covering box units	30	20
Item no.	48.0480.9	48.4150.9

Water flow rate at 3 bar l/min	approx. 66	approx. 66
Sieve hole Ø mm	0.7	0.7
Pipe Ø in mm	20 x 1.25	20 x 1.25
Pipe bend	135°	135°
Pipe length in cm	145-225	240-400
PU units	1	1
Covering box units	20	20
Item no.	48.5150.9	48.5151.9

6

48.0480.9

48.4150.9

48.5150.9
48.5151.9



GEKA® plus universal washer *metal/plastic*

GEKA® plus universal washer

Advantage / benefit: in gardening: **handy device for "market-fresh" spraying and cleaning of vegetables**
 in industry: **for the coarse cleaning of devices, machines, vehicles and units in construction and agriculture, industry, etc.**
 31 washing head sieve holes ensure quick and effective cleaning

Material: GEKA® plus quick coupling: brass, chrome-plated;
 handle: plastic, black;
 ball valve (51.5471): brass, nickel-plated; washing head: aluminium

Special note: quantity control valve (ball valve) with washing head; GEKA® plus connection suitable for hose sizes from 3/8" to 1 1/2"



Water flow rate at 3 bar l/min	approx. 23
Number of sieve holes	31
Sieve hole Ø mm	1.0
PU units	1
Covering box units	10
Item no.	51.5495.9



GEKA® plus watering and spray heads



Soft water spray



GEKA® plus watering head for Soft Rain and TF

Material: aluminium; threaded insert: brass
 Seal: flat seal ring
 For Item no.: 50.2594.9, 50.2596.9, 50.2599.9, 50.2120.9, 49.6460.9, 49.6480.9, 51.5470.9, 51.5330.9, 50.4594.9, 50.4596.9, 50.4599.9, 50.4620.9, 49.1460.9, 49.1480.9

Female thread in mm	24.66
Female thread	G3/4
Sieve hole Ø mm	0.7
Plate Ø in mm	30
PU units	10
Covering box units	120
Item no.	50.6169.9



Large-scale, soft water spray



GEKA® plus watering heads for Soft Rain, Vario and TF

Material: aluminium; threaded insert: brass
 Seal: flat seal ring
 For Item no.: 50.2594.9, 50.2596.9, 50.2599.5, 50.2120.9, 49.6460.9, 49.6480.9, 51.5470.9, 51.5330.9, 50.4594.9, 50.4596.9, 50.4599.9, 50.4620.9, 49.1460.9, 49.1480.9

Female thread in mm	24.66	24.66
Female thread	G3/4	G3/4
Sieve hole Ø mm	0.7	1.0
Plate Ø in mm	51	51
PU units	10	10
Covering box units	800	800
Item no.	50.6399.9	50.6397.9

6



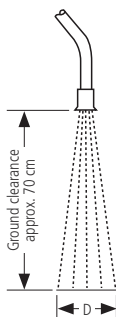
großvolumiger, weicher Wasserschleier



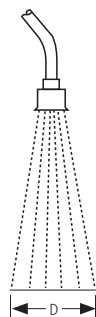
GEKA® plus watering heads for Soft Rain and TF

Material: plastic, black; watering head plate: aluminium
 Seal: flat seal ring
 For Item no.: 50.2594.9, 50.2596.9, 50.2599.9, 50.2120.9, 49.6460.9, 49.6480.9, 51.5470.9, 51.5330.9, 50.4594.9, 50.4596.9, 50.4599.9, 50.4620.9, 49.1460.9, 49.1480.9

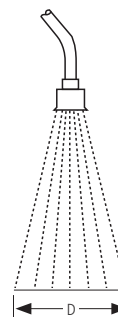
Female thread in mm	24.66	24.66
Female thread	G3/4	G3/4
Sieve hole Ø mm	0.7	1.0
Plate Ø in mm	51	51
PU units	10	10
Covering box units	800	800
Item no.	50.7399.9	50.7397.9



Item no.	Sieve hole Ø mm	D approx. Ø cm
50.6169.9	0.7	24



Item no.	Sieve hole Ø mm	D approx. Ø cm
50.6399.9	0.7	35
50.7399.9	0.7	35



Item no.	Sieve hole Ø mm	D approx. Ø cm
50.6397.9	1.0	45-48
50.7397.9	1.0	45-48



GEKA® plus watering and spray heads

GEKA® plus universal washing head

Advantage / benefit: 31 washing head sieve holes ensure quick and effective cleaning

Material: aluminium; threaded insert: brass;
washing head plate: brass sheet

Seal: flat seal ring

Area of application: for GEKA® plus universal washer

Female thread in mm	24.66
Female thread	G3/4
Number of sieve holes	31
Sieve hole Ø mm	1.0
Plate Ø in mm	51

For Item no. 50.2594.9, 50.2596.9, 50.2599.9,
50.2120.9, 49.6460.9, 49.6480.5,
51.5330.9, 50.4594.9, 50.4596.9,
50.4599.9, 50.4620.9, 49.1480.9

PU units	1
Covering box units	800
Item no.	55.5395.9



Quick and effective cleaning

GEKA® plus spray heads Soft Rain

Advantage / benefit: for super-fine rain

Material: aluminium; threaded nipple: brass

Seal: flat seal ring

Female thread in mm	24.66	-
Female thread	G3/4	-
Male thread in mm	-	26.44
Male thread	-	G3/4
Sieve hole Ø mm	0.7	0.7
Plate Ø in mm	72	72

For Item no. 50.2594.9, 50.2596.9, 50.2599.5,
50.2120.9, 49.6460.9, 49.6480.9,
51.5470.9, 51.5330.9, 50.4594.9, 51.5310.9, 51.5250.9, 51.5251.9,
50.4596.9, 50.4599.9, 50.4620.9,
49.1460.9, 49.1480.9

PU units	10	10
Covering box units	30	30
Item no.	50.7922.9	50.7923.9



Super-fine rain spray

GEKA® plus spray heads

Material: stainless steel; threaded nipple: brass

Seal: flat seal ring

Female thread in mm	24.66	-
Female thread	G3/4	-
Male thread in mm	-	26.44
Male thread	-	G3/4
Number of sieve holes	0.8	0.8
Plate Ø in mm	103	103

For Item no. 50.2594.9, 50.2596.99, 50.2599.9,
50.2120.9, 49.6460.9, 49.6480.9,
51.5470.9, 51.5330.9, 50.4594.9, 51.5310.9, 51.5250.9, 51.5251.9,
50.4596.9, 50.4599.9, 50.4620.9,
49.1460.9, 49.1480.9

PU units	1	1
Covering box units	20	30
Item no.	55.5000.9	55.5001.9



Fine rain shower

6



GEKA® plus watering and spray heads

Spare parts
see
chapter 11



Plant shower
with drip protection

GEKA® plus spray heads

Material: brass sheet; threaded nipple: brass; rubber protection ring
Seal: flat seal ring

Female thread in mm	24.66	-	30.93
Female thread	G3/4	-	G1
Male thread in mm	-	26.44	-
Male thread	-	G3/4	-
Sieve hole Ø mm	0.8	0.8	0.8
Plate Ø in mm	101	101	101
For Item no.	50.2594.9, 50.2596.9, 50.2599.9, 50.2120.9, 49.6460.9, 49.6480.9, 51.5470.9, 51.5330.9, 50.4594.9, 50.4596.9, 50.4599.9, 50.4620.9, 49.1460.9, 49.1480.9	51.5310.9, 51.5250.9, 51.5251.9	
PU units	1	1	1
Covering box units	20	20	20
Item no.	55.5050.9	55.5051.9	55.5150.9



Super shower
with drip protection

GEKA® plus super shower

Material: brass sheet; threaded nipple: brass; rubber protection ring
Seal: flat seal ring

Female thread in mm	24.66	30.93
Female thread	G3/4	G1
Sieve hole Ø mm	0.8	0.8
Plate Ø in mm	150	150
For Item no.	50.2594.9, 50.2596.99, 50.2599.9, 50.2120.9, 49.6460.9, 49.6480.9, 51.5470.9, 51.5330.9, 50.4596.9, 50.4599.9, 50.4620.9, 49.1460.9, 49.1480.9	
PU units	1	1
Covering box units	20	20
Item no.	55.6050.9	55.6150.9

6

Fan nozzles

Ideal for
large area
irrigation

Spare parts
see
chapter 11



For large-scale
watering

Fan nozzles

Material: aluminium; threaded nipple (56.4302): brass
Seal: flat seal ring
Area of application: for GEKA® plus watering wands and GEKA® plus watering showers

Male thread in mm	26.44	26.44
Male thread	G3/4	G3/4
Number of nozzle holes	16	16
Nozzle hole Ø mm	2.0	3.0
For Item no.	51.5310.9, 51.5250.9, 51.5251.9	51.5310.9, 51.5250.9, 51.5251.9
PU units	1	1
Covering box units	32	32
Item no.	52.5282	52.5283



GEKA® plus watering and spray heads

GEKA® hair shower

Material: aluminium; shower plate: brass sheet
 Area of application: for metal watering cans of Various sizes,
 GEKA® plus pot watering wand and pipes

Connection	Small push-fit cone
Sieve hole Ø mm	0.7
Plate Ø in mm	80
For Item no.	51.5300.9
PU units	1
Covering box units	100
Item no.	55.4500.9



Very fine rain for allotments

GEKA® pot showers for 2.5 and 4.5 litre watering cans

Material: aluminium; shower plate: brass sheet
 Area of application: for metal watering cans of Various sizes,
 GEKA® plus pot watering wand and pipes

Connection	Small push-fit cone
Sieve hole Ø mm	0.8
Plate Ø in mm	55
For Item no.	51.5300.9
PU units	1
Covering box units	250
Item no.	55.4501.9

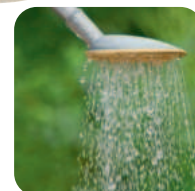


Fine rain for pot plants

GEKA® spoon shower for 2.5 and 4.5 litre watering cans

Material: aluminium; shower plate: brass sheet

Connection	Small push-fit cone
Sieve hole Ø mm	0.5
Plate Ø in mm	95/96
For Item no.	51.5300.9
PU units	1
Covering box units	120
Item no.	55.2540.9



Ergonomic shape for easy watering

GEKA® full-jet nozzle

Material: brass
 Seal: flat seal ring

Male thread in mm	26.44
Male thread	G3/4
Nozzle hole Ø mm	6.0
For Item no.	51.5310.9, 51.5250.9, 51.5251.9
PU units	10
Covering box units	50
Item no.	55.5200

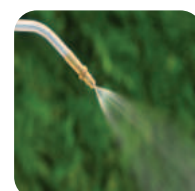


Strong cleaning jet

GEKA® plus acorn duster, fixed, straight

Material: brass
 Seal: flat seal ring PVC
 Area of application: **for GEKA® plus pot watering wand
 and for devices for pest control**

Male thread	M 11 x 1
Nozzle hole Ø mm	1.5
For Item no.	51.5300.9
PU units	100
Covering box units	700
Item no.	55.4892



Very fine spray

6



GEKA® ball valves for watering wands

Material: brass nickel-plated; ball: hard chrome-plated with O-rings PTFE;
toggle: stainless steel, painted in red; ball valve 50.5649: plastic
Seal: flat seal ring at the female thread

Female thread in mm	19.17	24.66	24.66	24.66
Female thread	G1/2	G3/4	G3/4	G3/4
Male thread in mm	26.44	26.44	26.44	26.44
Male thread	G3/4	G3/4	G3/4	G3/4
Nominal size in mm	13	13	13	13
Nominal size	1/2"	1/2"	1/2"	1/2"
Approx. length in mm	55	53	53	65
PU units	10	10	10	10
Covering box units	60	50	100	140
Item no.	51.5469.9	51.5471	50.5548	50.5649



51.5469.9 for Soft Rain KX, multi and multisport



51.5471 for universal washer



50.5548 for Soft Rain, Vario and sport



50.5649 for Soft Rain and Soft Rain PX



51.5311.9



51.5331.9

Valves for GEKA® plus outdoor and TF watering wand

Advantage / benefit: very fine setting and adjustment options for metering

Valve female thread in mm	19.17	-
Valve female thread	G1/2	-
Valve male thread in mm	-	26.44
Valve male thread	-	G3/4
For Item no.	51.5310.9	51.5330.9, 51.5115.9
PU units	1	1
Covering box units	30	30
Item no.	51.5311.9	51.5331.9

Valve for GEKA® plus pot watering wand

Advantage / benefit: very fine setting and adjustment options for metering

Valve male thread in mm	20.95
Valve male thread	G1/2
Water flow rate at 4 bar l/min	approx. 55
For Item no.	51.5300.9
PU units	1
Covering box units	40
Item no.	51.5301.9



49.6490



51.5472

GEKA® plus handles

Male thread in mm	2 x 20.95	2 x 26.44
Male thread	2 x G1/2	2 x G3/4
Material	aluminium/plastic	plastic
PU units	1	10
Covering box units	160	60
Item no.	49.6490	51.5472

Individual parts for GEKA® plus watering wands

GEKA® plus threaded fittings with female thread, brass

Female thread in mm	24.66
Female thread	G3/4
PU units	10
Covering box units	160
Item no.	04.1111



GEKA® plus threaded piece with male thread

Male thread in mm	26.44
Male thread	G3/4
PU units	10
Covering box units	170
Item no.	04.2111



GEKA® plus threaded pieces, brass, chrome-plated

Female thread in mm	19.17	24.66
Female thread	G1/2	G3/4
PU units	10	10
Covering box units	160	160
Item no.	05.1110	05.1111



Spare parts
see
chapter 11

GEKA® threaded nipples with male thread, brass

Material: brass

Male thread in mm	26.44	26.44	26.44
Male thread	G3/4	G3/4	G3/4
Male thread in mm	-	26.44	33.25
Male thread	M 11 x 1	G3/4	G1
Hexagon AF mm	30	30	34
Approx. length in mm	22	22	22
PU units	1	10	10
Covering box units	330	250	180
Item no.	56.4301	56.4302	30.1148



56.4301

56.4302



30.1148

6

Your desired watering wand can be put together very easily:



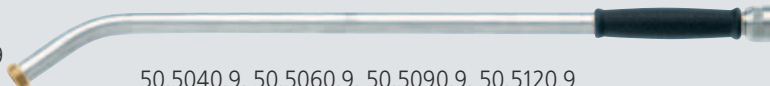
50.6169.9



50.6399.9, 50.6397.9



50.7399.9, 50.7397.9



50.5040.9, 50.5060.9, 50.5090.9, 50.5120.9

50.5548



50.5649



04.2111



Individual parts for GEKA® plus watering wands



GEKA® outlet pipes for Soft Rain

Material: aluminium

Connection male thread mm	26.44	26.44	26.44	26.44
Connection male thread	G3/4	G3/4	G3/4	G3/4
Nut thread in mm	26.44	26.44	26.44	26.44
Nut thread	G3/4	G3/4	G3/4	G3/4
Pipe Ø in mm	19 x 1	19 x 1	19 x 1	19 x 1
Pipe bend	35°	35°	35°	35°
Pipe length in cm	40	60	90	120
PU units	5	5	5	5
Covering box units	100	100	60	50
Item no.	50.5040.9	50.5060.9	50.5090.9	50.5120.9



GEKA® outlet pipes for Soft Rain KX, PX and Multi

Material: aluminium
dirt filter with flat seal ring: plastic PE,
fabric V2A

Connection male thread mm	26.44	26.44	26.44	26.44
Connection male thread	G3/4	G3/4	G3/4	G3/4
Nut thread in mm	26.44	26.44	26.44	26.44
Nut thread	G3/4	G3/4	G3/4	G3/4
Pipe Ø in mm	19 x 1	19 x 1	19 x 1	19 x 1
Pipe bend	35°	35°	35°	35°
Pipe length in cm	40	60	90	120
PU units	1	5	1	5
Covering box units	100	100	60	50
Item no.	51.7040.9	51.7060.9	51.7090.9	51.7120.9

6



Individual parts for GEKA® plus watering wands

GEKA® outlet pipes with cap nut, aluminium for GEKA® plus pot watering wand

Female thread connection	M11 x 1	M11 x 1	M11 x 1	M11 x 1
Nut thread	G1/2	G1/2	G1/2	G1/2
Pipe Ø in mm	14 x 1.5	14 x 1.5	14 x 1.5	14 x 1.5
Pipe bend	35°	35°	35°	35°
Pipe length in cm	25	60	85	100
For Item no.	51.5300.9	51.5300.9	51.5300.9	51.5300.9
PU units	1	5	1	1
Item no.	51.6025.9	51.6060.9	51.6085.9	51.6100.9



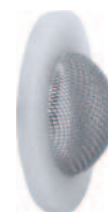
Spare parts for GEKA® plus watering wands

GEKA® plus dirt filter

Advantage / benefit: prevents deposits
compatible with the GEKA® plus watering wands Soft Rain
Classic, Classic plus, Comfort and Vario plus

Material: fabric V2A, NBR seal

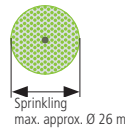
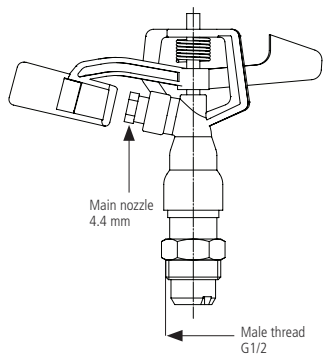
PU units	1
Item no.	50.5252.9



6



Circular sprinklers



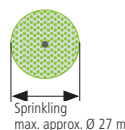
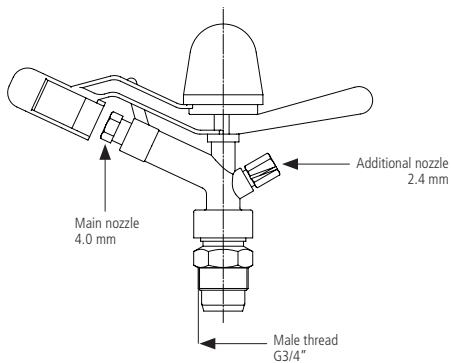
Circular sprinkler V 25 L flat angle

Advantage / benefit: ... **nozzle with flat angle (15°), maximum jet height of 1.5 m suitable for low pressures and water flows good area coverage from light spraying with only one jet**

Material:brass, bronze, stainless steel
 Requirement: 1/2" hoses and minimum pressure of 1.7 bar
 Area of application: for lower to medium sprinkling densities
 Areas of application: ... **in gardens and for seeds with low water requirement, ideal for sprinkling under trees or in strong wind**

Connection male thread mm	20.95
Connection male thread	G1/2
Water flow rate at 2 bar l/min	18
Water flow rate at 3 bar l/min	21
Water flow rate at 4 bar l/min	24
Throw length at 4 bar max. m	13 (standard nozzle equipment)
Main nozzle, nozzle hole Ø mm	4.4
Recommended pressure range bar	1.7 - 4.5
PU units	1
Covering box units	100
Item no.	57.5666.9

6



Circular sprinkler V 33 AF anti-frost

Advantage / benefit: ... **especially suitable for anti-frost sprinkling main nozzle with steep angle (25°), maximum jet height of 3.7 m**

Material:brass, stainless steel
 Requirement: 3/4" hoses and minimum pressure of 2.5 bar
 Areas of application: ... **perfect for frost protection specially of fruit trees due to large jet height**

Connection male thread mm	26.44
Connection male thread	G3/4
Water flow rate at 2 bar l/min	19
Water flow rate at 3 bar l/min	24
Water flow rate at 4 bar l/min	28
Throw length at 4 bar max. m	13.5 (standard nozzle equipment)
Main nozzle, nozzle hole Ø mm	4.0
Additional nozzle, nozzle hole Ø mm	2.4
Recommended pressure range bar	2.5 - 6.5
PU units	1
Covering box units	50
Item no.	57.5667.9

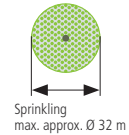
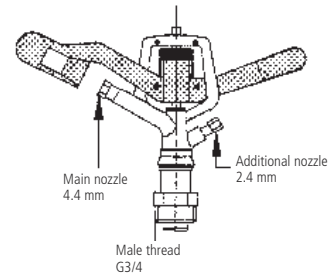


Circular sprinklers

Circular sprinkler V 35

Material: brass; springs: stainless steel
 Requirement: 3/4" hoses and minimum pressure of 3 bar
 Area of application: for medium to higher sprinkling densities
 Areas of application: ... **cultivation of vegetables in fields,
 fruit growing, sports and recreational
 facilities, etc.**

Connection male thread mm	26.44
Connection male thread	G3/4
Water flow rate at 2 bar l/min	22.4
Water flow rate at 3 bar l/min	27.4
Water flow rate at 4 bar l/min	31.6
Throw length at 4 bar approx. m	16 (standard nozzle equipment)
Main nozzle, nozzle hole Ø mm	4.4
Additional nozzle, nozzle hole Ø mm	2.4
Recommended pressure range bar	3 – 6
PU units	1
Covering box units	30
Item no.	57.5660.9



Circular raised sprinkler V 35 S with GEKA® tripod

Advantage / benefit: ... **combination of circular sprinkler V 35 and tripod (57.5680.9)**
 sprinkler is mounted onto the adjustable tripod with sleeve (75.2003)
extremely stable and steady
 foldable

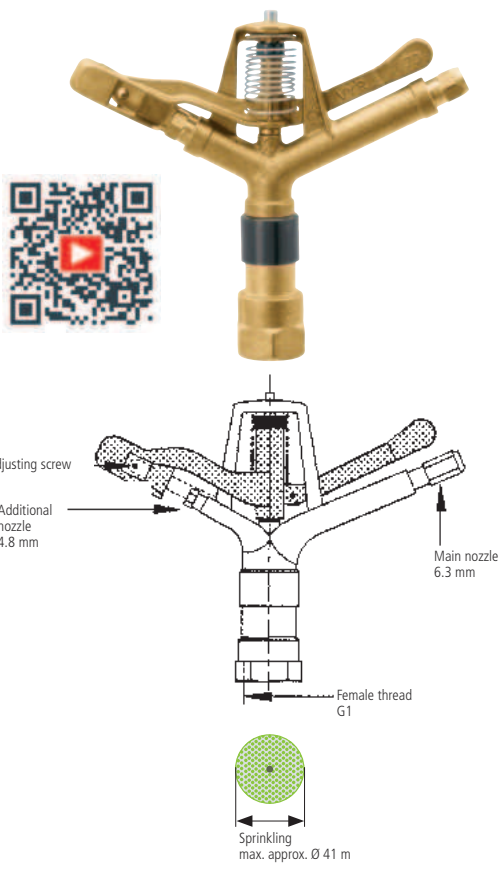
Material: sprinkler: brass; springs: stainless steel;
 tripod: galvanised steel
 Requirement: 3/4" hoses and minimum pressure of 3 bar
 Area of application: for medium to higher sprinkling densities
 Areas of application: ... **cultivation of vegetables in fields,
 fruit growing, sports and recreational
 facilities, etc.**

Special note: the stability of circular raised sprinklers largely depends on the respective soil conditions

Connection male thread mm	26.44
Connection male thread	G3/4
Tripod height mm	700
Adjustable height up to mm	1070
PU units	1
Covering box units	5
Item no.	57.5670.9



Circular sprinklers



Circular sprinkler V 70

Advantage / benefit: ... **swing arm sprinkler adjusting screw for controlling the throw length and droplet size**

Material:brass; springs and adjusting screw: stainless steel

Requirement: 1" hoses and minimum pressure of 3 bar

Area of application: for medium to higher sprinkling densities

Areas of application: ... **cultivation of vegetables in fields, fruit growing, sports and recreational facilities, etc.**

Female thread connection mm	30.93
Female thread connection	G1
Water flow rate at 3 bar l/min	69.5
Water flow rate at 4 bar l/min	80.3
Throw length at 4 bar approx. m	20.5 (standard nozzle equipment)
Main nozzle, nozzle hole Ø mm	6.3
Additional nozzle, nozzle hole Ø mm	4.8
Recommended pressure range bar	3 - 8
PU units	1
Covering box units	15
Item no.	57.5662.9

6



Circular raised sprinkler V 70 S with GEKA® tripod

Advantage / benefit: ... **combination of circular sprinkler V 70 and tripod (57.5681.9) sprinkler is mounted onto the adjustable tripod extremely stable and steady foldable**

Material:sprinkler: brass; springs and adjusting screw: stainless steel; tripod: galvanised steel

Requirement: 1" hoses and minimum pressure of 3 bar

Area of application: for medium to higher sprinkling densities

Areas of application: ... **cultivation of vegetables in fields, fruit growing, sports and recreational facilities, etc.**

Special note: the stability of circular raised sprinklers largely depends on the respective soil conditions

Connection male thread mm	33.25
Connection male thread	G1
Tripod height mm	700
Adjustable height up to mm	1070
PU units	1
Covering box units	5
Item no.	57.5672.9



Circular and sector sprinklers

Circular and sector sprinkler V 80

Advantage / benefit: ... **swing arm sprinkler**
adjusting screw for controlling the throw length and droplet size
elevation angle can be adjusted via deflector
sector limitation from 20° to 360°
infinitely adjustable

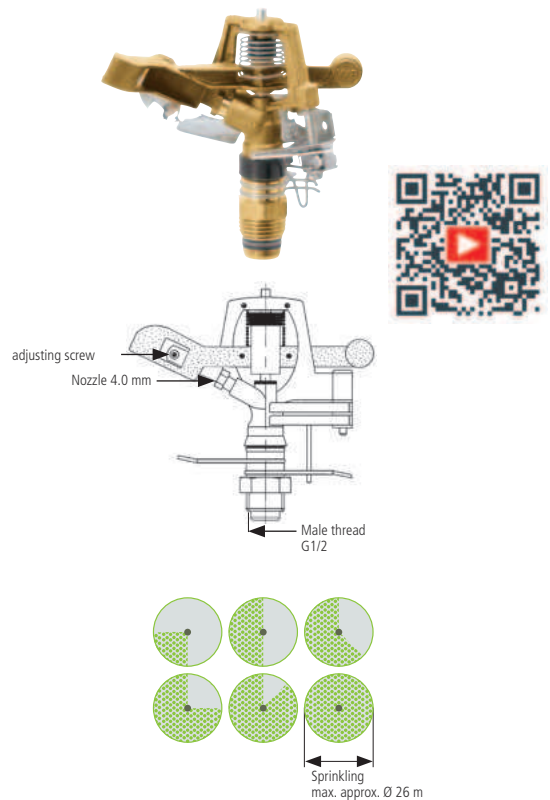
Material: brass; springs and adjusting screw: stainless steel

Requirement: 3/4" hoses and minimum pressure of 2 bar

Area of application: for medium to higher sprinkling densities

Areas of application: ... **cultivation of vegetables in fields, fruit growing, sports and recreational facilities, etc.**

Connection male thread mm	20.95
Connection male thread	G1/2
Water flow rate at 2 bar l/min	14
Water flow rate at 3 bar l/min	17.2
Water flow rate at 4 bar l/min	19.9
Nozzle hole Ø mm	4.0
Throw length at 4 bar approx. m	13 m (standard nozzle equipment)
Recommended pressure range bar	2 - 4
PU units	1
Covering box units	50
Item no.	57.5664.9



Circular and sector raised sprinkler V 80 S with GEKA® tripod

Advantage / benefit: ... **combination of circular sprinkler V 80 and tripod (57.5680.9)**
 sprinkler is mounted onto the adjustable tripod with sleeve (75.2105)
extremely stable and steady
 foldable

Material: sprinkler: brass; springs and adjusting screw: stainless steel; tripod: galvanised steel

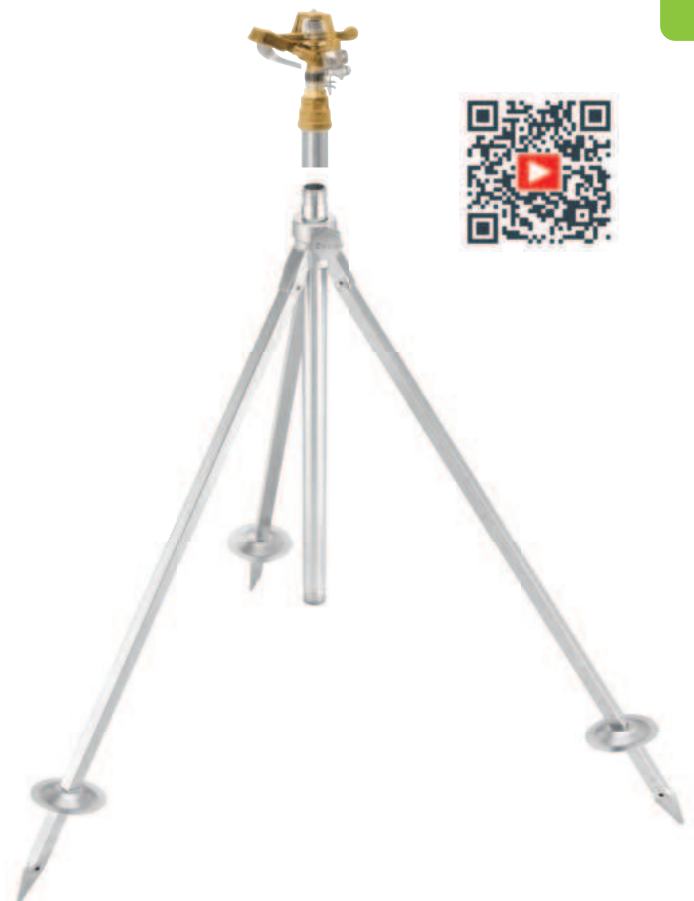
Requirement: 3/4" hoses and minimum pressure of 2 bar

Area of application: for medium to higher sprinkling densities

Areas of application: ... **cultivation of vegetables in fields, fruit growing, sports and recreational facilities, etc.**

Special note: the stability of circular raised sprinklers largely depends on the respective soil conditions

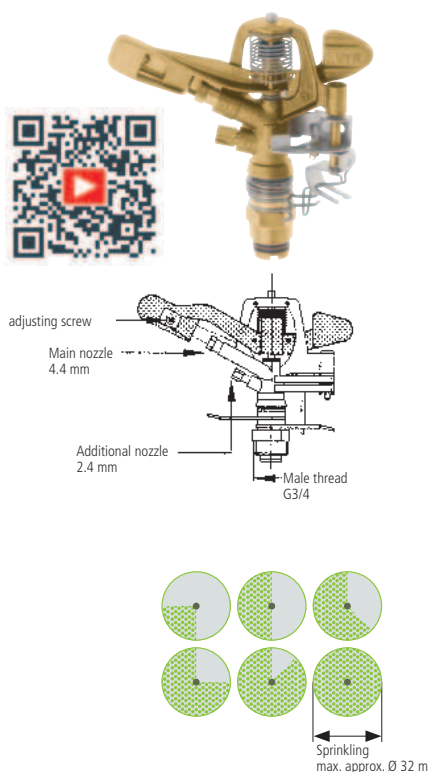
Connection male thread mm	26.44
Connection male thread	G3/4
Tripod height mm	700
Adjustable height up to mm	1070
PU units	1
Covering box units	5
Item no.	57.5674.9



6



Circular and sector sprinklers



Circular and sector sprinkler V 60

Advantage / benefit: ... **swing arm sprinkler**
adjusting screw for controlling the throw length and droplet size
sector limitation from 20° to 360°
infinitely adjustable

Material: brass; springs and
 adjusting screw: stainless steel

Requirement: 3/4" hoses and minimum pressure of 2 bar

Area of application: for medium to higher sprinkling densities

Areas of application: ... **cultivation of vegetables in fields, fruit growing, sports and recreational facilities, etc.**

Connection male thread mm	26.44
Connection male thread	G3/4
Water flow rate at 2 bar l/min	22.4
Water flow rate at 3 bar l/min	27.4
Water flow rate at 4 bar l/min	31.6
Throw length at 4 bar approx. m	16 (standard nozzle equipment)
Main nozzle, nozzle hole Ø mm	4.4
Additional nozzle, nozzle hole Ø mm	2.4
Recommended pressure range bar	2 - 6
PU units	1
Covering box units	25
Item no.	57.5661.9

6



Circular and sector raised sprinkler V 60 S with GEKA® tripod

Advantage / benefit: ... **combination of circular sprinkler V 60 and tripod (57.5680.9)**
 sprinkler is mounted onto the adjustable tripod with sleeve (75.2003) and Locknut (74.1003).

extremely stable and steady
 foldable

Material: sprinkler: brass; springs and
 jet interrupter stud: stainless steel;
 tripod: galvanised steel

Requirement: 3/4" hoses and minimum pressure of 2 bar

Area of application: for medium to higher sprinkling densities

Areas of application: ... **cultivation of vegetables in fields, fruit growing, sports and recreational facilities, etc.**

Special note: the stability of circular raised sprinklers largely depends on the respective soil conditions

Connection male thread mm	26.44
Connection male thread	G3/4
Tripod height mm	700
Adjustable height up to mm	1070
PU units	1
Covering box units	5
Item no.	57.5671.9



Circular and sector sprinklers

Circular and sector sprinkler V 65

Advantage / benefit: ... **swing arm sprinkler**
adjusting screw for controlling the
throw length and droplet size
sector limitation from 20° to 360°
infinitely adjustable

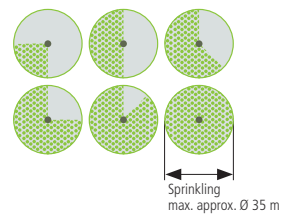
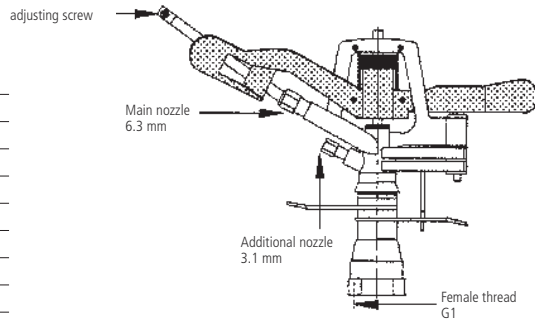
Material: brass; springs and
 adjusting screw: stainless steel

Requirement: 3/4" hoses and minimum pressure of 3 bar

Area of application: for medium to higher sprinkling densities

Areas of application: ... **cultivation of vegetables in fields,**
fruit growing, sports and recreational
facilities, etc.

Female thread connection mm	30.93
Female thread connection	G1
Water flow rate at 3 bar l/min	66.6
Water flow rate at 4 bar l/min	77
Throw length at 4 bar approx. m	17.5 (standard nozzle equipment)
HD main nozzle, nozzle hole Ø mm	6.3
ZD additional nozzle, nozzle hole Ø mm	3.1
Recommended pressure range bar	3 – 8
PU units	1
Covering box units	8
Item no.	57.5663.9



Circular and sector raised sprinkler V 65 S with GEKA® tripod

Advantage / benefit: ... **combination of circular sprinkler V 65**
and tripod (57.5681.9)
 sprinkler is mounted onto the adjustable
 tripod
extremely stable and steady
 foldable

Material: sprinkler: brass; springs and
 adjusting screw: stainless steel;
 tripod: galvanised steel

Requirement: 3/4" hoses and minimum pressure of 3 bar

Area of application: for medium to higher sprinkling densities

Areas of application: ... **cultivation of vegetables in fields,**
fruit growing, sports and recreational
facilities, etc.

Special note: the stability of circular raised sprinklers largely
 depends on the respective soil conditions

Connection male thread mm	33.25
Connection male thread	G1
Tripod height mm	700
Adjustable height up to mm	1070
PU units	1
Covering box units	5
Item no.	57.5673.9



GEKA® tripods and sprinkler carriages

Advantage / benefit: **extremely sturdy and stable, foldable**
 Material: steel, galvanised
 Ordering note: for the sprinkler version 57.5661.9 a sleeve (75.2003) with female thread G3/4 is required for assembly
 for the sprinkler version 57.5664.9 a sleeve (75.2105) with female thread G3/4 x female thread G1/2 is required for assembly
 install sleeves between sprinkler and tripod (self-assembly)
 Special note: the stability largely depends on the respective soil conditions



GEKA® tripods with standing tips

Connection male thread mm	2 x 26.44	2 x 33.25	2 x 47.80
Connection male thread	2 x G3/4	2 x G1	2 x G1 1/2
Tripod height mm	700	700	700
Adjustable height up to mm	1070	1070	1070
PU units	1	1	1
Covering box units	5	5	5
Item no.	57.5680.9	57.5681.9	57.5689.9

GEKA® tripod with standing plates

Connection male thread mm	2 x 26.44	2 x 33.25	2 x 47.80
Connection male thread	2 x G3/4	2 x G1	2 x G1 1/2
Tripod height mm	750	750	750
Adjustable height up to mm	1150	1150	1150
PU units	1	1	1
Item no.	57.5832.9	57.5833.9	57.5835.9

GEKA® sprinkler carriages

No longer any need to carry around hoses, etc.

Connection male thread mm	26.44	33.25
Connection male thread	G3/4	G1
Carriage length mm	480	480
Carriage width mm	270	270
Carriage height mm (upper pipe edge)	265	265
PU units	1	1
Covering box units	4	4
Item no.	57.5730	57.5731

GEKA® sprinkler lock pin

Material: brass
 Area of application: for direct anchoring in the soil



GEKA® sprinkler lock pin

Female thread of sprinkler connection mm	19.17
Female thread of sprinkler connection	G1/2
Female thread of hose connection mm	24.66
Female thread of hose connection	G3/4
PU units	1
Covering box units	100
Item no.	57.5732

Watering controls

Water timer

Advantage / benefit:

With useful functions for automatic and water-saving watering.
For use with sprinklers, driphead watering systems and sprinkler systems.
The GEKA® watering controls are easy to use and install.



Item no.	17.0101.8
Packaging	On card
PU units	2
Programmable outlets	1
Energy supply	Mechanical
Operating element	Rotary control
LCD display	-
Number of schedules	1
Watering start	Upon actuation
Watering duration	5 to 120 min
Watering intervals	-
Detachable control panel	-
"Manual" function: water now, manual watering	✓
Battery level indicator	-
Safe Water Stop function: Valve closes / watering stops with low battery capacity	Closes after set time lapses
Connection thread for water tap	G3/4 (26.44 mm) and G1 (33.25 mm)
Operating pressure	0.5 to 12 bar
Sturdy design with cap nut and tap plug made from chrome-plated brass	✓
Special feature / application	Simple and intuitive setting and adjustment using rotary control Automatic watering stop Continuous water flow possible with "Manual" setting High-quality and sturdy components made of metal

7

You can find the appropriate two-way valve for our watering controls in chapter 4 "Push-fit system"



G1 thread and adapter on G3/4



Intuitive setting and adjustment



Water computer



Water computer digital



17.0102.8	17.0103.8
Cardboard box	Cardboard box
2	2
1	1
2 x 1.5 V AAA batteries (not included in the scope of delivery)	2 x 1.5 V AA batteries (not included in the scope of delivery)
Rotary knobs/button	Buttons
-	✓
1	1
Upon actuation (after 7 seconds); Start can be delayed using "+1 h" button	Exact setting of time
1 min, 3 min, 5 min, 10 min, 15 min, 20 min, 30 min, 60 min, 90 min, 120 min	1 to 240 min
every 1 h, 2 h, 3 h, 4 h, 6 h, 8 h, 12 h, 1 day, 2 days, 3 days, 7 days	every 6 h, 12 h, 1 to 15 days
-	✓
✓	✓
Red flashing light	Information on display
✓	✓
G3/4 (26.44 mm) and G1 (33.25 mm)	G3/4 (26.44 mm) and G1 (33.25 mm)
0 to 8 bar	0.5 to 6 bar
✓	✓
Simple and intuitive setting and adjustment using rotary knobs Start time can be delayed Safe Water Stop function Continuous water flow possible with "On" setting High-quality and sturdy components made of metal Ideal for watering pot plants, as short and frequent watering cycles can also be set	Simple and intuitive setting and adjustment Exact start time can be selected Safe Water Stop function Continuous water flow possible with "Manual" setting Easy programming with detachable control panel Large display and control panel tilted back, ensure optimum readability High-quality and sturdy components made of metal Ideal for regular watering of lawns, hedges and flower beds

7



High-quality metal components

Watering start can be delayed



Detachable control panel

Comfortable setting and adjustment





7



Watering set, hedges and flower beds

Practical basic set incl. all necessary connector parts:
 1 x device connector, 1 x pressure reducer (to 1.4 bar), 1 x adapter 16 mm, 50 m drip tube 16 mm,
 20 x pipe support, 3 x T-piece, 2 x L-piece, 5 x straight connector, 5 x cap

Area of application: for water-saving irrigation of hedges,
 edgings and flower beds

Installation: can be installed above ground

Special note: drip tube: self-cleaning thanks to labyrinth technology,
 pressure compensation with silicone membrane
 can be extended with accessories 16 mm

Packaging	4-colour package label
Pipe length	50 m
Diameter/Size	16 mm
Water discharge per drip head	2.1 l/h
Drip head spacing	30 cm
Max. installation length in a row	80 m
Max. installation length with pressure reducer in the middle	150 m
Max. length per branch	50 m
PU units	1
Item no.	17.0120.9



Here you can view
 a tutorial of the set

Watering set, vegetables and flower beds

Practical basic set incl. all necessary connector parts:
 1 x device connector, 1 x pressure reducer (to 1.4 bar), 1 x adapter 6 mm, 15 m supply pipe 6 mm, 15 m drip tube 6 mm, 16 x pipe support, 8 x T-piece, 2 x L-piece, 5 x straight connector, 2 x shutoff valve, 10 x cap

Area of application: for water-saving irrigation of small flower beds with sensitive crop and ornamental plants, raised flower beds or balcony cardboard boxes

Installation: can be installed above ground

Special note: drip tube: self-cleaning thanks to labyrinth technology; very flexible thanks to small pipe diameter, can be extended with accessories 6 mm

Packaging	4-colour cardboard box with Euro hole
Pipe length	2 x 15 m
Diameter/Size	6 mm
Water discharge per drip head	1.5 l/h
Drip head spacing	15 cm
Max. installation length in a row	15 m
Max. installation length with pressure reducer in the middle	30 m
Max. length per branch	10 m
PU units	3
Item no.	17.0111.8



Here you can view a tutorial of the set



Watering set, balcony and terrace

Practical basic set incl. all necessary connector parts:
 1 x device connector, 1 x pressure reducer (to 1.4 bar), 1 x adapter 6 mm, 15 m supply pipe 6 mm, 10 x inline drip head 0-6 l/h, 2 x T-piece, 5 x straight connector, 2 x shutoff valve, 5 x cap

Area of application: for water-saving irrigation of pot plants on balconies and terraces and balcony cardboard boxes for up to 10 plants

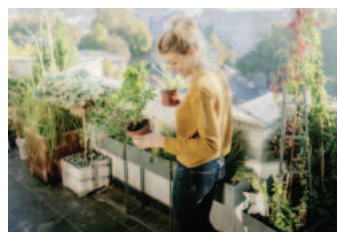
Installation: can be installed above ground

Special note: adjustable water discharge for plants with different water requirement

Packaging	4-colour cardboard box with Euro hole
Pipe length	15 m
Diameter/Size	6 mm
Water discharge per drip head	adjustable from 0-6 l/h
Max. installation length in a row	max. 15 inline drip heads
Max. installation length with pressure reducer in the middle	max. 40-50 inline drip heads
Max. length per branch	max. 15 inline drip heads
PU units	3
Item no.	17.0110.8



Here you can view a tutorial of the set





Supply pipe 16 mm

Area of application:.....central supply line in the GEKA drip system;
transports the water to watering point

Installation:.....can be installed above and below ground

Special note:.....UV-resistant, lightproof

Packaging	4-colour package label
Content	1
Pipe length	25 m
Diameter/Size	16 mm
PU units	1
Item no.	17.0121.9



Supply pipe 6 mm

Area of application:.....central supply line in the GEKA drip system;
transports the water to watering point

Installation:.....can be installed above and below ground

Special note:.....UV-resistant, lightproof, very flexible thanks to
small pipe diameter

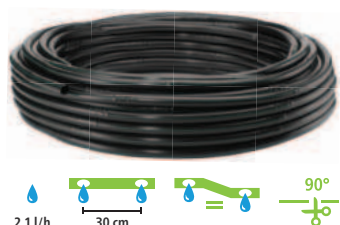
Packaging	4-colour package label with Euro hole
Content	1
Pipe length	15 m
Diameter/Size	6 mm
PU units	3
Item no.	17.0112.8

Drip tube 16 mm

Area of application:.....for water-saving irrigation of hedges,
edgings and flower beds

Installation:.....can be installed above ground

Special note:.....self-cleaning thanks to labyrinth technology,
pressure compensation with silicone membrane



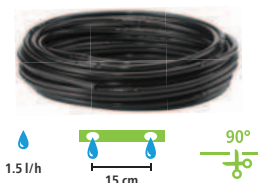
Packaging	4-colour package label
Content	1
Pipe length	50 m
Diameter/Size	16 mm
Water discharge per drip head	2.1 l/h
Drip head spacing	30 cm
Max. installation length in a row	80 m
Max. installation length with pressure reducer in the middle	150 m
Max. length per branch	50 m
PU units	1
Item no.	17.0122.9

Drip tube 6 mm

Area of application:.....for water-saving irrigation of small flower beds with
sensitive crop and ornamental plants, raised flower beds
or balcony cardboard boxes

Installation:.....can be installed above ground

Special note:.....self-cleaning thanks to labyrinth technology, very flexible
due to small pipe diameter thanks to silicone membrane



Packaging	4-colour package label with Euro hole
Content	1
Pipe length	15 m
Diameter/Size	6 mm
Water discharge per drip head	1.5 l/h
Drip head spacing	15 cm
Max. installation length in a row	15 m
Max. installation length with pressure reducer in the middle	30 m
Max. length per branch	10 m
PU units	3
Item no.	17.0113.8

GEKA® drip tube support and inline drip heads

NEW

Pipe support 16 mm

Area of application: for fixing drip tube 16 mm (Item no. 17.0122.9) and supply pipe 16 mm (Item no. 17.0121.9) in the soil

Special note: barbs at ground spike provide additional support

Packaging	Card
Content	10 pc.
for pipe diameter	16 mm
PU units	5
Item no.	17.0123.8



Pipe support 6 mm

Area of application: for fixing drip tube 6 mm (Item no. 17.0113.8) and supply pipe 6 mm (Item no. 17.0112.8) in the soil

Special note: barbs at ground spike provide additional support

Packaging	Card
Content	10 pc.
for pipe diameter	6 mm
PU units	6
Item no.	17.0114.8



Inline drip tube 6 mm

Area of application: for water-saving irrigation of pot plants on balconies and terraces and balcony cardboard boxes

Special note: adjustable water discharge for plants with different water requirement can be combined with ground spike

Packaging	Card
Content	6 pc.
Can be used with	Supply pipe 6 mm (Item no. 17.0112.8)
Adjustable water	Discharge from 0-6 l/h
PU units	5
Item no.	17.0115.8



7



Here you find tutorials of our drip watering sets





→ 1.4 bar

Pressure reducer set 16 mm

Area of application: starting device for the GEKA drip system
reduces the water pressure
connects hose system and GEKA® drip watering system

Pressure reduction :to 1.4 bar

Special note:.....high-quality connector made of metal

Packaging	Card
Content	1 x device connector, 1 x pressure reducer, 1 x adapter piece for 16 mm pipe
Can be used with	Drip tube 16 mm (Item no. 17.0122.9) and supply pipe 16 mm (Item no. 17.0121.9)
Water flow	up to 1800 l/h
PU units	5
Item no.	17.0125.8



→ 1.4 bar

Pressure reducer set 6 mm

Area of application: starting device for the GEKA drip system
reduces the water pressure
connects hose system and GEKA® drip watering system

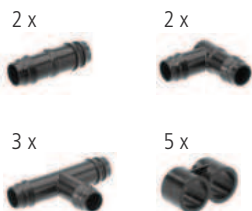
Pressure reduction :to 1.4 bar

Special note:.....high-quality connector made of metal

Packaging	Card
Content	1 x device connector, 1 x pressure reducer, 1 x adapter piece for 6 mm pipe
Can be used with	Drip tube 6 mm (Item no. 17.0113.8) and supply pipe 6 mm (Item no. 17.0112.8)
Water flow	up to 1800 l/h
PU units	5
Item no.	17.0117.8

Pipe connector set 16 mm

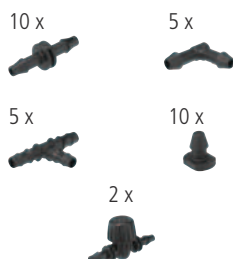
Area of application: for the individual design of the installation:
extending pipes, change of direction, branching,
sealing pipe ends



Packaging	Card
Content	12 pipe connectors: 2 x straight connector, 2 x L-piece, 3 x T-piece, 5 x cap
Can be used with	Drip tube 16 mm (Item no. 17.0122.9) and supply pipe 16 mm (Item no. 17.0121.9)
PU units	5
Item no.	17.0124.8

Pipe connector set 6 mm

Area of application: for the individual design of the installation:
extending pipes, change of direction, branching,
sealing pipe ends and shutting off individual strands



Packaging	Card
Content	32 pipe connectors: 10 x straight connector, 5 x L-piece, 5 x T-piece, 10 x cap, 2 x shutoff valve
Can be used with	Drip tube 6 mm (Item no. 17.0113.8) and supply pipe 6 mm (Item no. 17.0112.8)
PU units	6
Item no.	17.0116.8

Quick couplings malleable cast iron TG, DIN 3489

Advantage / benefit:.....safety double-nubs prevent self-loosening
 Material:.....malleable cast iron EN-GJMW-400-5 (EN-JM1030) DIN EN 1562, galvanised, yellow-chromated
 Claw distance:.....uniform 42 mm, combinations with each other are possible,
 also with malleable cast iron suction/high-pressure couplings TG-SH
 Operating pressure:.....max. 10 bar
 Temperature range:.....approx. -5 °C to +100 °C
 Seal:.....as standard with NBR moulded seal rings; Temperature range from approx. -10 °C to +90 °C
 Options:.....OHASIL moulded seal rings; Temperature range from approx. -40 °C to +200 °C; steam-resistant
 Area of application:.....**for the safe supply of compressed air in construction and industry**



Hose pieces with NBR seal

Grommet with hose protecting ribbed profile guarantees fixed hose fit

Hose ID mm	6	10	13	16	19	25	32
Hose size	1/4"	3/8"	1/2"	5/8"	3/4"	1"	1 1/4"
Nominal width (NW) mm	5	7	8.5	11	15	19	20
PU units	10	10	10	10	10	10	10
Item no.	61.0599	61.0600	61.0601	61.0602	61.0603	61.0604	61.0606



Threaded pieces with female thread and NBR seal

with hexagon

Female thread in mm	15.39	19.17	24.66	30.93	39.59		
Female thread	G3/8	G1/2	G3/4	G1	G1 1/4		
Hexagon AF mm	22	27	32	41	50		
Nominal width (NW) mm	15	19	20	20	20		
PU units	10	10	10	10	10		
Item no.	61.1609	61.1610	61.1611	61.1613	61.1614		



Threaded pieces with male thread and NBR seal

with hexagon

Male thread in mm	13.16	16.66	20.95	26.44	33.25	41.91	
Male thread	G1/4	G3/8	G1/2	G3/4	G1	G1 1/4	
Hexagon AF mm	22	27	27	32	40	46	
Nominal width (NW) mm	6	10	13	17	20	20	
PU units	10	10	10	10	10	10	
Item no.	61.2608	61.2609	61.2610	61.2611	61.2613	61.2614	



Dummy couplings

DIN 3489 (previously DIN 3484). End pieces suitable for all TG and TG-SH versions

	with chain, galvanised steel	without chain
PU units	10	10
Catalogue no.	618MK	618OK
Item no.	61.6618	61.6619



Moulded seal ring, form 620 NBR

Temperature range:..... constant: approx. -10 °C to +90 °C, short-term: -10 °C to +120 °C

Colour: black

Dimensions approx. mm	20 x 34 x 11
PU units	20
Item no.	61.6720



Moulded seal ring, form 620 silicone/EPDM (OHASIL)

Temperature range:..... approx. -40 °C to +200 °C, steam-resistant

Colour: red

Dimensions approx. mm	20 x 33 x 10
PU units	10
Item no.	61.6721

Quick couplings malleable cast iron TG with brass seal, DIN 3489

- Advantage / benefit:.....safety double nubs prevent self-loosening
prevents seals sticking in coupled state.
Always use a coupling with NBR moulded seal ring as counter-coupling.
- Material:.....malleable cast iron EN-GJMW-400-5 (EN-JM1030) DIN EN 1562, galvanised, yellow-chromated
- Claw distance:.....uniform 42 mm, combinations with each other are possible,
also with malleable cast iron suction/high-pressure couplings TG-SH
- Operating pressure:max. 10 bar
- Temperature range:approx. -5 °C to +100 °C (depending on the seal ring quality)
- Seal:brass seal with oil-resistant hose ring and galvanised retaining screw,
temperature range from approx. -10 °C to +90 °C
- Area of application:**for the safe supply of compressed air in construction and industry**

Hose pieces with brass seal

Grommet with hose protecting ribbed profile guarantees fixed hose fit

Hose ID mm	13	19	25
Hose size	1/2"	3/4"	1"
Nominal width (NW) mm	8.5	15	19
PU units	10	10	10
Item no.	61.3601	61.3603	61.3604



Threaded pieces with female thread and brass seal

with hexagon

Female thread in mm	19.17	24.66	30.93
Female thread	G1/2	G3/4	G1
Hexagon AF mm	27	32	41
Nominal width (NW) mm	17	17	17
PU units	10	10	10
Item no.	61.4610	61.4611	61.4613



Threaded pieces with male thread and brass seal

with hexagon

Male thread in mm	20.95	26.44	33.25
Male thread	G1/2	G3/4	G1
Hexagon AF mm	27	32	40
Nominal width (NW) mm	11	17	17
PU units	10	10	10
Item no.	61.5610	61.5611	61.5613



Special note: Always use a coupling with NBR moulded seal ring as counter-coupling.

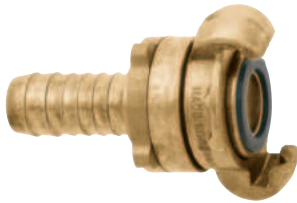
Retaining screw, galvanised steel

Thread	M 5
Dimensions approx. mm	7 x 14
PU units	1
Item no.	61.6803



Malleable cast iron suction/high-pressure couplings TG-SH, DIN 3238

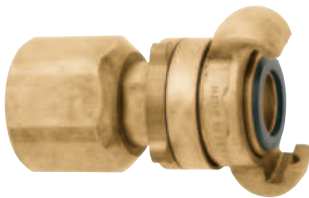
- Advantage / benefit:..... in all pressure and suction areas, completely leakproof and secured against self-loosening thanks to safety double nubs and ring nuts
- Handling: turn back ring nuts, connect, tighten ring nuts
- Material:..... malleable cast iron, hose grommet and threaded piece: turning steel galvanised, yellow-chromated; ring nut: brass
- Claw distance:..... uniform 42 mm, combinations with each other are possible
- Operating pressure: max. 16 bar
- Seal:..... as standard with NBR moulded seal rings; Temperature range: approx. -10 °C to +90 °C
- Options: OHASIL moulded seal rings (SILICONE/EPDM modified temperature range from approx. -40 °C to +200 °C; steam-resistant)



Hose piece DIN 3238

Grommet with hose protecting ribbed profile guarantees fixed hose fit

Hose ID mm	25
Hose size	1"
Nominal width (NW) mm	18
PU units	5
Item no.	61.7604



Threaded pieces DIN 3238

Female thread in mm	24.66	30.93
Female thread	G3/4	G1
Hexagon AF mm	32	41
Nominal width (NW) mm	17	17
PU units	5	5
Item no.	61.8611	61.8613

Spare parts for malleable cast iron suction/high-pressure couplings

8



Moulded seal ring, form 622 NBR

Temperature range:..... constant: approx. -10 °C to +90 °C, short-term: -10 °C to +120 °C

Area of application: NBR is highly resistant to oils and petrol unfavourable with oxidising media

Use: as standard in all TG-SH versions

Dimensions mm	21 x 33 x 7
PU units	20
Item no.	61.9722



Moulded seal ring, form 622N, new version, NBR

Temperature range:..... constant: approx. -10 °C to +90 °C, short-term: -10 °C to +120 °C

Area of application: NBR is highly resistant to oils and petrol unfavourable with oxidising media

Use: as standard in all TG-SH versions with new seal seat

Dimensions mm	21 x 30 x 4
PU units	20
Item no.	61.9722.1

Malleable cast iron branch pieces TG

Material:.....malleable cast iron, galvanised, yellow-chromated

Use:.....for quick couplings TG, screw couplings TG - SH and other

Branch pieces

Female thread in mm	3 x 24.66	3 x 30.93
Female thread	3 x R3/4	3 x R1
Nominal width (NW) mm	24	30
PU units	5	5
Item no.	61.9738	61.9739



Malleable cast iron hose clamps TG

Material:.....malleable cast iron, galvanised, yellow-chromated

Area of application:.....for compressed air hoses

Hose clamps

2-piece, with loose tongues DIN 20039A

Hose ID mm	13	19	25	32	38	50	63
Hose size	1/2"	3/4"	1"	1 1/4"	1 1/2"	2"	2 1/2"
Clamping range mm	22-29	28-34	32-40	39-49	48-60	60-76	77-94
PU units	10	10	10	5	5	5	5
Covering box units	-	250	-	-	-	50	-
Item no.	83.8821	83.8823	83.8824	83.8826	88.0018	88.0020	88.0016



One-hand quick-action couplings ESK

Material:.....brass; pins, circlips and valve springs: stainless steel

Nominal width:.....7.2 mm (compatible with RECTUS series 25 and 26, Ceyn 320)

Operating pressure:.....max. 35 bar

Flow volume:.....air max. 1100 l/min (depending on line cross-section)
at 6 bar inlet pressure and 0.5 bar pressure loss

Operating temperature:.....from -20 °C to +100 °C

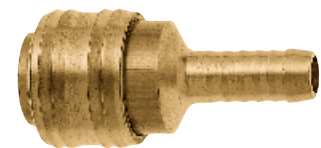
Seal:.....NBR seal rings

ESK valve sockets with hose grommet

Grommet with striking and hose protecting ribbed profile guarantees fixed hose fit.

Spring-loaded valve

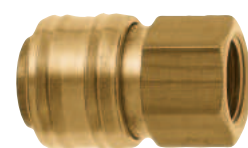
Hose ID mm	6	10	13
Hose size	1/4"	3/8"	1/2"
Approx. length in mm	55	55	55
Grommet length mm	25	25	25
PU units	10	10	10
Covering box units	220	240	240
Item no.	62.3331	62.3334	62.3338



ESK valve sockets with female thread

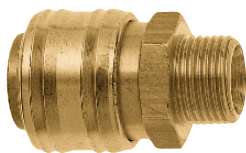
Spring-loaded valve

Female thread in mm	8.85	11.89	15.39	19.17
Female thread	G1/8	G1/4	G3/8	G1/2
Hexagon AF mm	22	22	22	24
Approx. length in mm	39	41	41	42.5
Thread length mm	9	10.5	10.5	12
PU units	10	10	10	10
Covering box units	-	240	240	220
Item no.	62.1330	62.1331	62.1333	62.1335



One-hand quick-action couplings ESK

Material:.....brass; pins, circlips and valve springs: stainless steel
 Nominal width:.....7.2 mm (compatible with RECTUS series 25 and 26, Ceyn 320)
 Operating pressure:.....max. 35 bar
 Flow volume:.....air max. 1100 l/min (depending on line cross-section)
 at 6 bar inlet pressure and 0.5 bar pressure loss
 Operating temperature:.....from -20 °C to +100 °C
 Seal:.....NBR seal rings



ESK valve sockets with male thread

Spring-loaded valve

Male thread in mm	9.73	13.16	16.66	20.95
Male thread	G1/8	G1/4	G3/8	G1/2
Hexagon AF mm	22	22	22	24
Approx. length in mm	38	40	41	41
Thread length mm	7	9	9	10
PU units	10	10	10	10
Covering box units	-	240	240	240
Item no.	62.2330	62.2331	62.2333	62.2335

62.7002



ESK multi-way valve sockets

Spring-loaded valve

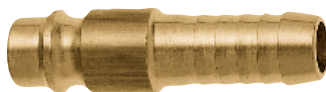
Female thread in mm	15.39	15.39
Female thread	G3/8	G3/8
Approx. length in mm	67	92
Version	Two-way valve	Three-way valve
PU units	1	1
Covering box units	60	30
Item no.	62.7002	62.7003

62.7003



ESK hose plugs

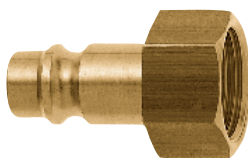
Grommet with striking and hose protecting ribbed profile guarantees fixed hose fit



Hose ID mm	6	9	13
Hose size	1/4"	3/8"	1/2"
Approx. length in mm	44	44	44
Grommet length mm	24	24	23
PU units	10	10	10
Covering box units	1000	900	650
Item no.	62.4301	62.4304	62.4308

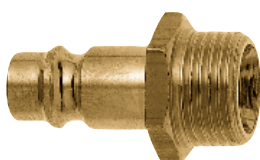
ESK threaded plugs with female thread

Female thread in mm	8.85	11.89	15.39	19.17
Female thread	G1/8	G1/4	G3/8	G1/2
Hexagon AF mm	13	17	19	24
Approx. length in mm	31	33	33	35
Thread length mm	9	10	10	12
PU units	10	10	10	10
Covering box units	900	650	650	360
Item no.	62.5380	62.5381	62.5383	62.5385



ESK threaded plugs with male thread

Male thread in mm	9.73	13.16	16.66	20.95
Male thread	G1/8	G1/4	G3/8	G1/2
Hexagon AF mm	13	17	19	24
Approx. length in mm	31	33	33	35
Thread length mm	7	9	9	10
PU units	10	10	10	10
Covering box units	900	700	700	360
Item no.	62.6380	62.6381	62.6383	62.6385



Compressed air blow-off guns *aluminium*

Advantage / benefit:with long operating lever and lifting lug
 Material:aluminium, forged; nozzle, steel: galvanised; valve parts and hose grommet, threaded nipples and/or threaded plug: brass; valve spring: stainless steel
 Temperature range:.....approx. -30 °C to +100 °C
 Seal:NBR

Compressed air blow-off guns, hose grommet connection

Grommet with hose protecting ribbed profile guarantees fixed hose fit

Hose size	1/4"	3/8"
Hose ID mm	6	9
Nozzle hole Ø mm	2	2
Dimensions approx. mm	175 x 90	175 x 90
Operating pressure max. bar	12	12
PU units	1	1
Item no.	63.1401	63.1404



Compressed air blow-off guns, male thread connection

Male thread	G1/4
Nozzle hole Ø mm	2
Dimensions approx. mm	160 x 90
Operating pressure max. bar	12
PU units	1
Item no.	63.1414



Compressed air blow-off guns, ESK threaded plug connection

With ESK threaded plug 62.6381, compatible with all ESK valve sockets

Nozzle hole Ø mm	2
Dimensions approx. mm	170 x 90
Operating pressure max. bar	12
PU units	1
Item no.	63.1481



Tank truck couplings TW and accessories, *brass*

Advantage / benefit:..... forged version, excellent strength and fracture resistance as per EN 14420-6 (previously DIN 28450)
 Material:..... brass
 Temperature range: approx. -10 to +65 °C
 Seal: NBR
 Operating pressure: -0.8 to 16 bar
 Area of application: for shell inclusion



Type VK, male connector parts with female thread

Flat sealing with seal ring on threaded side

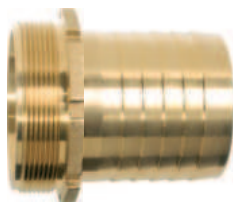
Female thread in mm	57.29	85.56	110.71
Female thread	G2	G3	G4
Nominal width (NW) mm	50	80	100
PU units	1	1	1
Item no.	17.1221	17.1222	17.1223



Type MK, female connector parts with lever and female thread

Comprising lever lock and crown ring.
 Flat sealing with seal ring on threaded side, moulded seal ring on coupling side

Female thread in mm	57.29	85.56	110.71
Female thread	G2	G3	G4
Nominal width (NW) mm	50	80	100
PU units	1	1	1
Item no.	17.1224	17.1225	17.1226



Hose nozzle with grommet profile and male thread

Male thread in mm	33.25	41.91	47.80	59.61	75.18	87.88	113.03
Male thread	G1	G1¼	G1½	G2	G2½	G3	G4
Hose ID mm	25	32	38	50	63	75	100
Hose size	1"	1¼"	1½"	2"	2½"	3"	4"
Nominal width (NW) mm	25	32	38	50	63	75	100
PU units	1	1	1	1	1	1	1
Item no.	17.1208	17.1209	17.1210	17.1211	17.1212	17.1213	17.1214 *

Hose nozzle, smooth with safety collar and male thread

Male thread in mm	33.25	41.91	47.80	59.61	75.18	87.88	113.03
Male thread	G1	G1¼	G1½	G2	G2½	G3	G4
Hose ID mm	25	32	38	50	63	75	100
Hose size	1"	1¼"	1½"	2"	2½"	3"	4"
Nominal width (NW) mm	25	32	38	50	63	75	100
PU units	1	1	1	1	1	1	1
Item no.	17.1201	17.1202	17.1203	17.1204	17.1205	17.1206	12.1277

Hose nozzle, smooth with safety collar and female thread

Female thread in mm	30.93	39.59	45.48	57.29	72.86	85.56
Female thread	G1	G1¼	G1½	G2	G2½	G3
Hose ID mm	25	32	38	50	63	75
Hose size	1"	1¼"	1½"	2"	2½"	3"
Nominal width (NW) mm	25	32	38	50	63	75
PU units	1	1	1	1	1	1
Item no.	17.1215	17.1216	17.1217	17.1218	17.1219	17.1220

*Grommet profile with two ribbed threads

Tank truck couplings TW and accessories

brass/aluminium

Advantage / benefit:.....forged version, excellent strength and fracture resistance as per EN 14420-6 (previously DIN 28450)

Material:.....brass

Temperature range:approx. -10 to +65 °C

Seal:NBR

Operating pressure:-0.8 to 16 bar

Area of application:for shell inclusion

Type MB blind caps

Nominal width (NW)	50	100
PU units	1	1
Item no.	17.1231	12.1276



Type VB blind plugs

Advantage / benefit: with hole for chain

Material: brass

Nominal width (NW)	50	80	100
PU units	1	1	1
Item no.	12.1273	12.1274	12.1275



Clamp collars

Material: aluminium, forged as per DIN 2817

Hose ID mm	25	32	38	50	63	75	100
Hose size	1"	1¼"	1½"	2"	2½"	3"	4"
suitable for hose wall thickness mm	6	6	6.5	8	8	8	8
Clamping range mm	36 - 39	43 - 46	50 - 53	63 - 67	78 - 82	89 - 93	114 - 119
PU units	1	1	1	1	1	1	1
Item no.	83.8337	83.8338	83.8339	83.8340	83.8341	83.8342	83.8343



Assembly wrench for slotted nuts

Material: steel

Range mm	90-155
PU units	1
Item no.	17.1237

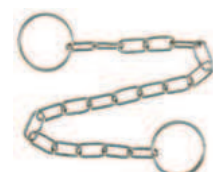


Chain with S-hook

Material: stainless steel

Area of application: for blind caps and dummy plugs

Approx. length in mm	200
PU units	1
Item no.	17.1238



STORZ couplings *aluminium forged*

Advantage / benefit:..... forged version, excellent strength and fracture resistance
 Material:..... aluminium
 Seal:..... NBR black
 Operating pressure: max. 16 bar
 Special note:..... other dimensions and materials upon request



STORZ suction couplings

Hose ID mm	13	19	25	32	38	45
Hose size	1/2"	3/4"	1"	1 1/4"	1 1/2"	1 3/4"
Lug spacing mm	31	31	31	66	66	66
STORZ size	25-D	25-D	25-D	52-C	52-C	52-C
PU units	1	1	1	1	1	1
Item no.	69.0001	69.0002	69.0003	69.0004	69.0005	69.0006
Hose ID mm	52	65	75	100	125	150
Hose size	2"	2 1/2"	3"	4"	5"	6"
Lug spacing mm	66	89	89	133	148	160
STORZ size	52-C	75-B	75-B	110-A	125	150
PU units	1	1	1	1	1	1
Item no.	69.0007	69.0008	69.0009	69.0010	69.0011	69.0012



STORZ suction couplings with collar

Hose ID mm	50	75	100
Hose size	2"	3"	4"
Lug spacing mm	66	89	133
STORZ size	52-C	75-B	110-A
PU units	1	1	1
Item no.	69.0013	69.0014	69.0015



STORZ suction couplings with ribbed grommet profile

Hose ID mm	51	76	102
Hose size	2"	3"	4"
Lug spacing mm	66	89	133
STORZ size	52-C	75-B	110-A
PU units	1	1	1
Item no.	69.0016	69.0017	69.0018



STORZ fixed couplings with female thread

Female thread in mm	19.17	24.66	30.93	39.59	45.48	51.43	57.29
Female thread	G1/2	G3/4	G1	G1 1/4	G1 1/2	G1 3/4	G2
Lug spacing mm	31	31	31	66	66	66	66
STORZ size	25-D	25-D	25-D	52-C	52-C	52-C	52-C
PU units	1	1	1	1	1	1	1
Item no.	69.0019	69.0020	69.0021	69.0022	69.0023	69.0024	69.0025
Female thread in mm	72.86	72.86	85.56	110.71	135.95	161.50	
Female thread	G2 1/2	G2 1/2	G3	G4	G5	G6	
Lug spacing mm	66	89	89	133	148	160	
STORZ size	52-C	75-B	75-B	110-A	125	150	
PU units	1	1	1	1	1	1	
Item no.	69.0026	69.0027	69.0028	69.0029	69.0030	69.0031	

STORZ couplings *aluminium forged*

Advantage / benefit:.....forged version, excellent strength and fracture resistance

Material:.....aluminium

Seal:NBR black

Operating pressure:max. 16 bar

Special note:.....other dimensions and materials upon request

STORZ fixed couplings with male thread

Male thread in mm	26.44	33.25	41.91	47.80	41.91	47.80
Male thread	G3/4	G1	G1¼	G1½	G1¼	G1½
Lug spacing mm	31	31	31	31	66	66
STORZ size	25-D	25-D	25-D	25-D	52-C	52-C
PU units	1	1	1	1	1	1
Item no.	69.0032	69.0033	69.0034	69.0035	69.0036	69.0037

Male thread in mm	59.61	75.18	75.18	87.88	113.03
Male thread	G2	G2½	G2½	G3	G4
Lug spacing mm	66	66	89	89	133
STORZ size	52-C	52-C	75-B	75-B	110-A
PU units	1	1	1	1	1
Item no.	69.0038	69.0039	69.0040	69.0041	69.0042



STORZ cleats with female thread socket, rotatable

Female thread in mm	57.29	72.86	85.56	110.71
Female thread	G2	G2½	G3	G4
Lug spacing mm	66	89	89	133
STORZ size	52-C	75-B	75-B	110-A
PU units	1	1	1	1
Item no.	69.0043	69.0044	69.0045	69.0046



STORZ cleats with male thread socket, rotatable

Male thread in mm	59.61	75.18	87.88	113.03
Male thread	G2	G2½	G3	G4
Lug spacing mm	66	89	89	133
STORZ size	52-C	75-B	75-B	110-A
PU units	1	1	1	1
Item no.	69.0047	69.0048	69.0049	69.0050



STORZ transition pieces

STORZ size 1	52-C	75-B	110-A	150
STORZ size 2	25-D	52-C	75-B	110-A
PU units	1	1	1	1
Item no.	69.0057	69.0058	69.0059	69.0060



STORZ blind couplings with chain

Lug spacing mm	31	66	89	133	148	160
STORZ size	25-D	52-C	75-B	110-A	125	160
PU units	1	1	1	1	1	1
Item no.	69.0051	69.0052	69.0053	69.0054	69.0055	69.0056



8



STORZ couplings *cast aluminium*

Advantage / benefit:..... cast version, suitable for low-duty applications and low pressures

Material:..... aluminium

Seal:..... NBR white

Operating pressure:..... max. 6 bar



STORZ suction couplings

Hose ID mm	32	38	52	65	75	100
Hose size	1¼"	1½"	2"	2½"	3"	4"
Lug spacing mm	66	66	66	89	89	133
STORZ size	52-C	52-C	52-C	75-B	75-B	110-A
PU units	1	1	1	1	1	1
Item no.	69.1004	69.1005	69.1007	69.1008	69.1009	69.1010



STORZ fixed couplings with female thread

Female thread in mm	39.59	45.48	57.29	72.86	85.56	110.71
Female thread	G1¼	G1½	G2	G2½	G3	G4
Lug spacing mm	66	66	66	89	89	133
STORZ size	52-C	52-C	52-C	75-B	75-B	110-A
PU units	1	1	1	1	1	1
Item no.	69.1022	69.1023	69.1025	69.1027	69.1028	69.1029



STORZ fixed couplings with male thread

Male thread in mm	41.91	47.80	59.61	75.18	87.88	113.03
Male thread	G1¼	G1½	G2	G2½	G3	G4
Lug spacing mm	66	66	66	89	89	133
STORZ size	52-C	52-C	52-C	75-B	75-B	110-A
PU units	1	1	1	1	1	1
Item no.	69.1036	69.1037	69.1038	69.1040	69.1041	69.1042

8



STORZ transition pieces

STORZ size 1	75-B	110-A
STORZ size 2	52-C	75-B
PU units	1	1
Item no.	69.1058	69.1059



STORZ blind couplings with chain

Lug spacing mm	66	89	133
STORZ size	52-C	75-B	110-A
PU units	1	1	1
Item no.	69.1052	69.1053	69.1054

Accessories for STORZ couplings

STORZ coupling wrench, *malleable cast iron*

For STORZ size	BC	ABC
PU units	1	1
Item no.	69.0061	69.0062



STORZ coupling wrench, *steel*

For STORZ size	BC	ABC	150/125
PU units	1	1	1
Item no.	69.0063	69.0064	69.0065



STORZ suction seals *NBR*

For STORZ size	25-D	52-C	75-B	110-A	125	150
PU units	10	10	10	10	10	10
Item no.	69.0066	69.0067	69.0068	69.0069	69.0070	69.0071



STORZ manifold with valve shutoffs

Male thread in mm	75.18 - 59.61	75.18 - 59.62
Male thread	2½" - 2" - 2"	2½" - 2" - 2½" - 2"
Inlet	B	B
Outlet	C C	C B C
PU units	1	1
Item no.	69.0072	69.0073



STORZ safety clamps, *steel/rubber*

Prevents self-decoupling

For STORZ size	52-C	75-B	110-A
For outer diameter mm	98	126	182
PU units	1	1	1
Item no.	69.0074	69.0075	69.0076



GEKA® plus threaded hose fittings for gas welding

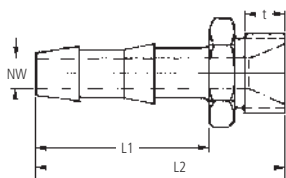
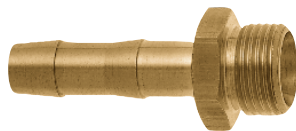
Material:.....brass

GEKA® plus 1/3 threaded hose fittings for gas welding

Versions 70.3998 and 70.3999 without thread undercut. Conical, metal-sealing

Male thread in mm	9,73	9,73	9,73	13,16	13,16
Male thread	G1/8	G1/8	G1/8	G1/4	G1/4
Hose ID mm	4-5	6	9	4-5	6
Hose size	-	1/4"	3/8"	-	1/4"
Hexagon AF mm	14	14	17	17	17
Nominal width (NW) mm	3	4,5	7	3	4,5
Inner cone	37°	37°	37°	37°	37°
t mm	9,5	9,5	10	10	10
L1 mm	33,5	33,5	33,5	33,5	33,5
L2 mm	48	48	48,5	48,5	48,5
PU units	10	10	10	10	10
Covering box units	1000	1000	500	770	500
Item no.	70.0890	70.0891	70.0894	70.0910	70.0911

Male thread in mm	13,16	13,16	13,16	16,66	16,66
Male thread	G1/4	G1/4	G1/4	G3/8	G3/8
Hose ID mm	9	11	13	4-5	6
Hose size	3/8"	-	1/2"	-	1/4"
Hexagon AF mm	17	17	19	19	19
Nominal width (NW) mm	7	7	7/11	3	4,5
Inner cone	37°	37°	37°	37°	37°
t mm	10	10	10	10	10
L1 mm	33,5	33,5	33,5	33,5	33,5
L2 mm	48,5	48,5	48,5	48,5	48,5
PU units	10	10	10	10	10
Covering box units	500	500	500	300	500
Item no.	70.0914	70.0916	70.0918	70.0920	70.0921



Male thread in mm	16,66	16,66	16,66	20,95	20,95
Male thread	G3/8	G3/8	G3/8	G1/2	G1/2
Hose ID mm	9	11	13	6	9
Hose size	3/8"	-	1/2"	1/4"	3/8"
Hexagon AF mm	19	19	19	24	24
Nominal width (NW) mm	7	9	9	4,5	7
Inner cone	37°	37°	37°	37°	37°
t mm	10	10	10	12	12
L1 mm	33,5	33,5	35	33,5	33,5
L2 mm	48,5	48,5	50	50	50
PU units	10	10	10	10	10
Covering box units	500	500	500	500	250
Item no.	70.0924	70.0926	70.0928	70.0991	70.0994

Male thread in mm	20,95	20,95	26,44	26,44
Male thread	G1/2	G1/2	G3/4	G3/4
Hose ID mm	11	13	13	19
Hose size	-	1/2"	1/2"	3/4"
Hexagon AF mm	24	24	27	27
Nominal width (NW) mm	9	11	11	16
Inner cone	37°	37°	37°	37°
t mm	12	12	14	14
L1 mm	33,5	35	35	35
L2 mm	50	51,5	54	55
PU units	10	10	10	10
Covering box units	500	300	250	200
Item no.	70.0996	70.0998	70.3998	70.3999

GEKA® plus threaded hose fittings for gas welding

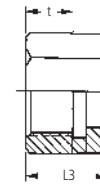
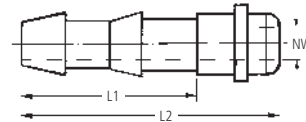
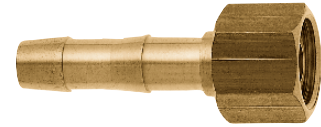
Material:.....brass

GEKA® plus 2/3 threaded hose fittings for gas welding

Conical, metal-sealing, left-hand thread/right-hand thread

Nut thread in mm	11,89	11,89	11,89	11,89	11,89	15,39	15,39
Nut thread	G1/4	G1/4	G1/4	G1/4-LH	G1/4-LH	G3/8	G3/8
Hose ID mm	4-5	6	9	6	9	4-5	6
Hose size	-	1/4"	3/8"	1/4"	3/8"	-	1/4"
AF mm	17	17	17	17	17	19	19
Nominal width (NW) mm	3	4,5	6,5	4,5	6,5	3	4,5
t mm	9,5	9,5	9,5	9,5	9,5	9,5	9,5
L1 mm	33,5	33,5	33,5	33,5	33,5	33,5	33,5
L2 mm	51	51	51	51	51	52	52
L3 mm	15,5	15,5	15,5	15,5	15,5	16,5	16,5
PU units	10	10	10	10	10	10	10
Covering box units	500	500	550	500	500	-	500
Item no.	71.0940	71.0941	71.0944	71.9410	71.9440	71.0950	71.0951

Nut thread in mm	15,39	15,39	15,39	19,17	19,17	19,17	19,17
Nut thread	G3/8	G3/8	G3/8-LH	G1/2	G1/2	G1/2	G1/2
Hose ID mm	9	11	9	6	9	11	13
Hose size	3/8"	-	3/8"	1/4"	3/8"	-	1/2"
AF mm	19	19	19	24	24	24	24
Nominal width (NW) mm	7	9	7	4,5	7	9	10
t mm	9,5	9,5	9,5	9,5	9,5	9,5	9,5
L1 mm	33,5	33,5	33,5	33,5	33,5	33,5	35
L2 mm	52	52	52	56	56	56	57,5
L3 mm	16,5	16,5	16,5	20,5	20,5	20,5	20,5
PU units	10	10	10	10	10	10	10
Covering box units	500	500	500	400	250	250	200
Item no.	71.0954	71.0956	71.9640	71.0971	71.0974	71.0976	71.0978



Locknuts

Female thread in mm	8.85	11.89	15.39	19.17
Female thread	G1/8	G1/4	G3/8	G1/2
PU units	10	10	10	10
Covering box units	-	-	-	-
Item no.	74.1018	74.1014	74.1000	74.1001

Female thread in mm	24.66	30.93	39.59	45.48
Female thread	G3/4	G1	G1 1/4	G1 1/2
PU units	10	10	10	10
Covering box units	1500	500	520	400
Item no.	74.1003	74.1004	74.1006	74.1007



Sealing caps

Female thread in mm	19.17	24.66	30.93
Female thread	G1/2	G3/4	G1
PU units	10	10	10
Covering box units	1000	-	100
Item no.	77.4901	77.4903	77.4904

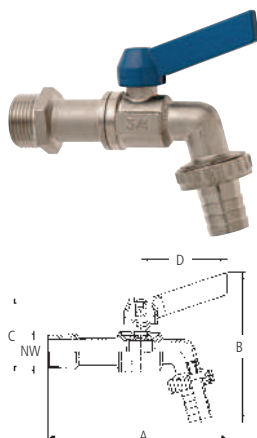


Plugs

Male thread in mm	9.73	13.16	16.66	20.95	26.44	33.25
Male thread	G1/8	G1/4	G3/8	G1/2	G3/4	G1
PU units	10	10	10	10	10	10
Covering box units	-	400	1300	600	200	-
Item no.	76.4818	76.4814	76.4800	76.4801	76.4803	76.4804



GEKA® ball bibcocks



GEKA® ball bibcocks, brass, nickel-plated

Material: housing: brass, nickel-plated; spindle: brass, O-rings NBR; ball: brass, hard chrome-plated, with PTFE seal rings; lever: aluminium, blue; threaded hose fitting: brass, nickel-plated, NBR flat seal rings, plastic insert

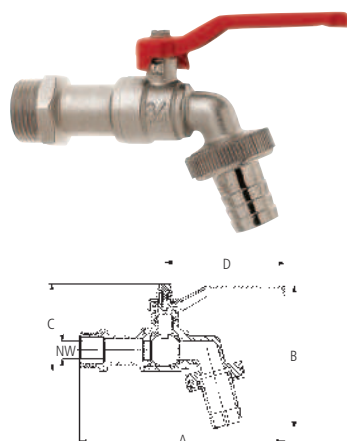
Operating pressure: max. 15 bar
 Operating temperature: water from 0 °C to +80 °C, air from -15 °C to +110 °C

Male thread at inlet mm	20.95	26.44	33.25
Male thread at inlet	G1/2	G3/4	G1
Nominal size	1/2"	3/4"	1"
Male thread at outlet mm	26.44	33.25	41.91
Male thread at outlet	G3/4	G1	G1 1/4
Nominal width (NW) mm	10	12	15
A mm	103	114	133
B mm	96	104	133
C mm	44	51	54
D mm	56	56	56
PU units	10	6	5
Covering box units	60	36	20
Item no.	35.3501	35.3503	35.3504

GEKA® ball bibcocks, low-duty version, brass, nickel-plated

Material: housing: brass nickel-plated; ball: brass, hard chrome-plated, PTFE seal rings; spindle with NBR O-ring; lever: steel, red; threaded hose fitting: ABS nickel-plated, from 1" brass, nickel-plated, NBR flat seal ring, plastic insert

Operating pressure: max. 10 bar
 Operating temperature: water from 0 °C to +80 °C, air from -15 °C to +110 °C



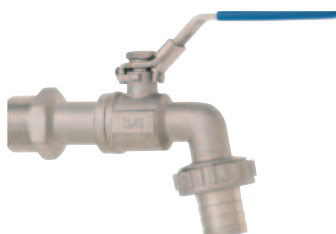
Male thread at inlet mm	20.95	26.44	33.25
Male thread at inlet	G1/2	G3/4	G1
Nominal size	1/2"	3/4"	1"
Male thread at outlet mm	26.44	33.25	41.91
Male thread at outlet	G3/4	G1	G1 1/4
Nominal width (NW) mm	9	12	15
Operating pressure max. bar	10	10	10
A mm	125	138	153
B mm	79	87	113
C mm	40	46	52
D mm	77	77	85
PU units	10	6	6
Covering box units	70	36	24
Item no.	35.3001	35.3003	35.3004



GEKA® ball bibcocks, stainless steel

Material: housing: stainless steel 1.4571; ball: stainless steel 1.4571, PTFE seal rings
 threaded hose connection: stainless steel 1.4571, NBR flat seal ring
 lever, lever lock, bolt, washer: stainless steel 1.4301
 spindle: stainless steel 1.4301, NBR O-rings; lever rubber coating: PVC, blue

Operating pressure: max. 15 bar
 Operating temperature: water from 0 °C to +80 °C, air from -15 °C to +110 °C



Male thread at inlet mm	20.95	26.44
Male thread at inlet	G1/2	G3/4
Nominal size	1/2"	3/4"
Male thread at outlet mm	26.44	33.25
Male thread at outlet	G3/4	G1
Nominal width (NW) mm	13	16
PU units	10	6
Covering box units	40	24
Item no.	35.3521	35.3523

Special note: Operating pressure dependent on the operating temperature. Data only represents approximate values. Therefore, no claim to absolute authority. No acceptance of guarantee. Dimensions and technical data subject to change.

GEKA® ball valves type 7, brass, nickel-plated

Material:.....housing: brass nickel-plated; ball: brass, hard chrome-plated;
 spindle: brass; lever: steel, galvanised, handle cover: red
 Operating temperature:.....water 0 °C to +100 °C, air -20 °C to +100 °C
 Seal:ball with PTFE seal rings; spindle with two O-rings NBR
 Note:.....**full passage**

GEKA® ball valves with female thread

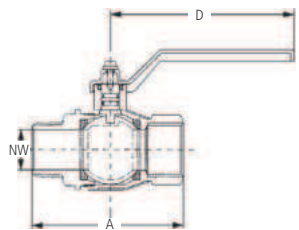
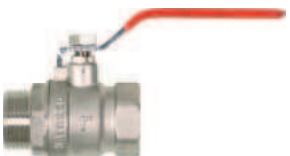
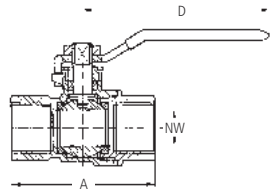
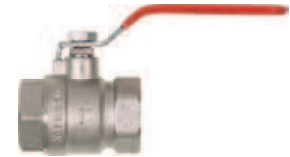
Female thread in mm	15.39	19.17	24.66	30.93	39.59
Female thread	G3/8	G1/2	G3/4	G1	G1¼
Female thread in mm	15.39	19.17	24.66	30.93	39.59
Female thread	G3/8	G1/2	G3/4	G1	G1¼
AF mm	21	24	30	38	46
Nominal width (NW) mm	10	15	20	25	32
Operating pressure max. bar	25	25	25	25	25
A mm	39	43	52	63	102
D mm	82	92	104	107	164
PU units	12	10	10	6	6
Covering box units	96	80	60	36	24
Item no.	67.7700	67.7701	67.7703	67.7704	67.7706

Female thread in mm	45.48	57.29	72.86	85.56
Female thread	G1½	G2	G2½	G3
Female thread in mm	45.48	57.29	72.86	85.56
Female thread	G1½	G2	G2½	G3
AF mm	53	65	81	96
Nominal width (NW) mm	40	50	65	80
Operating pressure max. bar	25	25	20	15
A mm	86	102	120	143
D mm	143	164	250	250
PU units	6	2	2	2
Covering box units	24	12	4	4
Item no.	67.7707	67.7709	67.7725	67.7730

GEKA® ball valves with female and male thread

Female thread in mm	15.39	19.17	24.66	30.93
Female thread	G3/8	G1/2	G3/4	G1
Male thread in mm	16.66	20.95	26.44	33.25
Male thread	G3/8	G1/2	G3/4	G1
AF mm	21	24	30	38
Nominal width (NW) mm	10	15	20	25
Operating pressure max. bar	25	25	25	25
A mm	43	51	61	72
D mm	82	92	104	107
PU units	12	10	10	6
Covering box units	96	80	60	36
Item no.	67.7800	67.7801	67.7803	67.7804

Female thread in mm	39.59	45.48	57.29
Female thread	G1¼	G1½	G2
Male thread in mm	41.91	47.80	59.61
Male thread	G1¼	G1½	G2
AF mm	46	53	65
Nominal width (NW) mm	32	40	50
Operating pressure max. bar	25	25	25
A mm	82	98	113
D mm	135	144	162
PU units	4	4	2
Covering box units	24	16	8
Item no.	67.7806	67.7807	67.7809



9

Special note: Operating pressure dependent on the operating temperature. Data only represents approximate values. Therefore, no claim to absolute authority. No acceptance of guarantee. Dimensions and technical data subject to change.



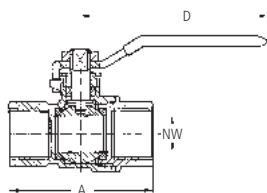
GEKA® plus ball valves type 3, *brass, nickel-plated*

Material: housing: brass nickel-plated; ball: brass, hard chrome-plated;
 spindle: brass; **lever: stainless steel**, plastic-coated, red

Operating temperature: water 0 °C to +100 °C; air -15 °C to +150 °C

Seal: ball with PTFE seal rings; spindle with PTFE seal ring

Note: **full passage**



GEKA® plus ball valves with female thread

Female thread in mm	11.89	15.39	19.17	24.66	30.93	39.59
Female thread	G1/4	G3/8	G1/2	G3/4	G1	G1¼
Female thread in mm	11.89	15.39	19.17	24.66	30.93	39.59
Female thread	G1/4	G3/8	G1/2	G3/4	G1	G1¼
AF mm	21	21	25	32	39	48
Nominal width (NW) mm	8	10	15	20	25	32
Operating pressure max. bar	40	40	40	40	40	30
A mm	46	46	52	58	69	81
D mm	88	89	102	102	108	139
PU units	12	12	10	6	6	4
Covering box units	96	96	80	48	36	24
Item no.	65.3314	65.3300	65.3301	65.3303	65.3304	65.3306

Female thread in mm	45.48	57.29	72.86	85.56	110.71
Female thread	G1½	G2	G2½	G3	G4
Female thread in mm	45.48	57.29	72.86	85.56	110.71
Female thread	G1½	G2	G2½	G3	G4
AF mm	56	67	83	97	122
Nominal width (NW) mm	40	50	65	80	100
Operating pressure max. bar	30	25	15	15	15
A mm	96	110	133	151	175
D mm	165	166	252	249	253
PU units	4	2	2	2	1
Covering box units	16	12	4	4	2
Item no.	65.3307	65.3309	65.3325	65.3330	65.3340

GEKA® plus ball valves with female and male thread

Female thread in mm	15.39	19.17	24.66	30.93
Female thread	G3/8	G1/2	G3/4	G1
Male thread in mm	16.66	20.95	26.44	33.25
Male thread	G3/8	G1/2	G3/4	G1
AF mm	21	25	32	39
Nominal width (NW) mm	10	15	20	25
Operating pressure max. bar	40	40	40	40
A mm	53	59	62	78
D mm	89	101	101	109
PU units	10	10	6	6
Covering box units	80	80	36	24
Item no.	65.3400	65.3401	65.3403	65.3404

Female thread in mm	39.59	45.48	57.29
Female thread	G1¼	G1½	G2
Male thread in mm	41.91	47.80	59.61
Male thread	G1¼	G1½	G2
AF mm	48	56	67
Nominal width (NW) mm	32	40	50
Operating pressure max. bar	30	30	25
A mm	92	105	120
D mm	140	166	165
PU units	4	4	2
Covering box units	16	32	12
Item no.	65.3406	65.3407	65.3409

Special note: Operating pressure dependent on the operating temperature. Data only represents approximate values. Therefore, no claim to absolute authority. No acceptance of guarantee. Dimensions and technical data subject to change.

Ball valves with male thread type 38, *brass, nickel-plated*

Material: housing: brass CW617N, nickel-plated; ball: brass CW617N, hard chrome-plated;
spindle: brass CW614N; lever: aluminium, painted, red

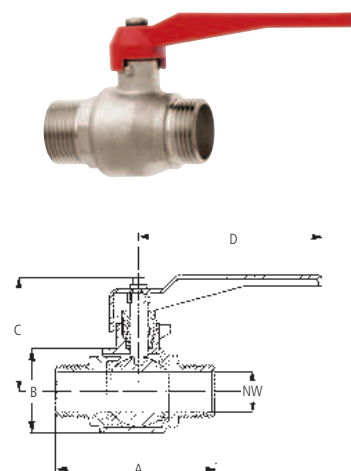
Operating temperature: -20 °C to +100 °C

Seal: ball with PTFE seal rings; spindle with PTFE O-ring and two NBR O-rings

Note: **full passage**

Ball valves with male thread

Male thread in mm	20.95	26.44	33.25
Male thread	G1/2	G3/4	G1
Male thread in mm	20.95	26.44	33.25
Male thread	G1/2	G3/4	G1
AF mm	25	31	40
Nominal width (NW) mm	14	19	25
Operating pressure max. bar	20	20	20
A mm	63	69	80
B mm	30	37	45
C mm	45	47	58
D mm	90	90	115
PU units	1	1	10
Covering box units	50	90	60
Item no.	65.3801	65.3803	65.3804



Ball valves with female thread type 59, *brass, nickel-plated*

Material: housing: brass CW617N, nickel-plated; ball: brass CW617N, hard chrome-plated;
spindle: brass CW614N; lever: aluminium, painted, black

Operating temperature: -10 °C to +120 °C

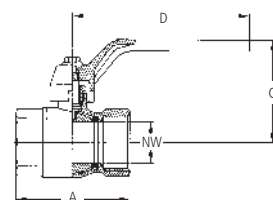
Seal: ball with PTFE seal rings (versions 68.5915, 68.5900 with two NBR O-rings and locking ring);
spindle with two NBR seal rings (versions 68.5901, 68.5903, 68.5904, 68.5906, 68.5907,
68.5909 with two PTFE seal rings)

Note: **full passage**

Ball valves with female thread

Female thread in mm	11.89	15.39	19.17	24.66
Female thread	G1/4	G3/8	G1/2	G3/4
Female thread in mm	11.89	15.39	19.17	24.66
Female thread	G1/4	G3/8	G1/2	G3/4
AF mm	21	21	26	32
Nominal width (NW) mm	10	12	15	20
Operating pressure max. bar	50	50	45	45
A mm	50	50	60	72
C mm	52	52	55	66
D mm	84	84	90	125
PU units	15	1	20	12
Covering box units	-	15	80	48
Item no.	68.5915	68.5900	68.5901	68.5903

Female thread in mm	30.93	39.59	45.48	57.29
Female thread	G1	G1¼	G1½	G2
Female thread in mm	30.93	39.59	45.48	57.29
Female thread	G1	G1¼	G1½	G2
AF mm	40	50	56	68
Nominal width (NW) mm	25	32	40	50
Operating pressure max. bar	40	35	35	35
A mm	82	94	105	126
C mm	70	93	98	110
D mm	125	145	145	170
PU units	6	1	3	2
Covering box units	36	16	12	8
Item no.	68.5904	68.5906	68.5907	68.5909



9

Special note: Operating pressure dependent on the operating temperature. Data only represents approximate values. Therefore, no claim to absolute authority. No acceptance of guarantee. Dimensions and technical data subject to change.

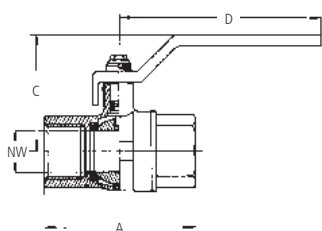


Gas ball valves, *brass, nickel-plated*



For drinking water

Quality information:DIN DVGW NG-4312BN7046, MOP 5
 Material:.....housing: brass CW617N, nickel-plated; ball: brass CW617N, hard chrome-plated; spindle: brass CW614N; lever: sheet steel, galvanised, powder-coated, yellow
 Gas operating pressure:.....max. 5 bar as per DIN EN 331
 Operating temperature:.....water 0 °C to +100 °C; air -20 °C to +220 °C
 Seal:.....ball with PTFE seal rings; spindle with FKM O-ring (fluororubber) as per DIN ISO 1629 and NBR O-ring
 Note:.....**full passage**



Gas ball valves DIN DVGW with female thread

Female thread in mm	11.89	15.39	19.17	24.66
Female thread	R1/4	R3/8	R1/2	R3/4
Female thread in mm	11.89	15.39	19.17	24.66
Female thread	R1/4	R3/8	R1/2	R3/4
AF mm	18	21	25	31
Nominal width (NW) mm	10	10	15	20
Operating pressure max. bar	50	50	50	40
Gas operating pressure max. bar	5	5	5	5
A mm	51	60	75	80
C mm	40	40	50	59
D mm	80	80	89	113
PU units	12	12	12	8
Covering box units	-	156	96	40
Item no.	68.5614	68.5600	68.5601	68.5603

Female thread in mm	30.93	39.59	45.48	57.29
Female thread	R1	R1¼	R1½	R2
Female thread in mm	30.93	39.59	45.48	57.29
Female thread	R1	R1¼	R1½	R2
AF mm	40	49	54	68.5
Nominal width (NW) mm	25	32	40	50
Operating pressure max. bar	40	30	30	25
Gas operating pressure max. bar	5	5	5	5
A mm	90	110	120	140
C mm	63	77	91	97
D mm	113	138	157.3	157.3
PU units	6	4	2	2
Covering box units	30	24	18	10
Item no.	68.5604	68.5606	68.5607	68.5609

Special note: Operating pressure dependent on the operating temperature. Data only represents approximate values. Therefore, no claim to absolute authority. No acceptance of guarantee. Dimensions and technical data subject to change.

Three-way ball valves form L and T, brass, nickel-plated

Material:.....housing: brass CW617N, nickel-plated; ball: brass CW617N, hard chrome-plated;
spindle: brass CW614N; lever: aluminium, painted, red

Operating temperature:.....-20 °C to +100 °C

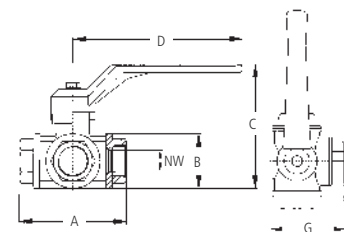
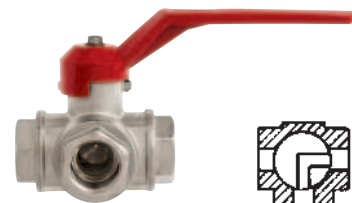
Seal:ball with PTFE seal rings; spindle with FKM seal ring (fluororubber) as per DIN ISO 1629

Annotation:.....full passage

Three-way ball valves form L

Female thread in mm	11.89	15.39	19.17	24.66
Female thread	G1/4	G3/8	G1/2	G3/4
Nominal width (NW) mm	10	12	14	18
Operating pressure max. bar	25	25	25	25
A mm	77	77	77	92
B mm	39	39	39	47
C mm	85	85	85	107
D mm	125	125	125	145
G mm	58	58	58	70
PU units	4	4	4	2
Covering box units	32	32	32	16
Item no.	65.4514	65.4500	65.4501	65.4503

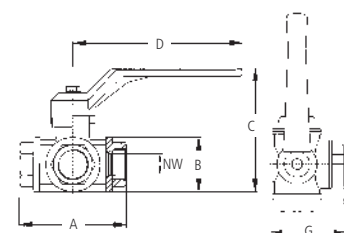
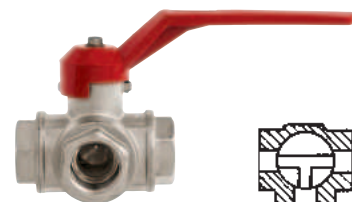
Female thread in mm	30.93	39.59	45.48	57.29
Female thread	G1	G1¼	G1½	G2
Nominal width (NW) mm	23	29	36	45
Operating pressure max. bar	25	25	25	25
A mm	104	118	138	162
B mm	55	65	79	93
C mm	124	134	145	186
D mm	170	170	170	280
G mm	80	92	109	128
PU units	2	2	2	2
Covering box units	12	10	8	4
Item no.	65.4504	65.4506	65.4507	65.4509



Three-way ball valves form T

Female thread in mm	11.89	15.39	19.17	24.66
Female thread	G1/4	G3/8	G1/2	G3/4
Nominal width (NW) mm	10	12	14	18
Operating pressure max. bar	25	25	25	25
A mm	77	77	77	92
B mm	39	39	39	47
C mm	85	85	85	107
D mm	125	125	125	145
G mm	58	58	58	70
PU units	4	2	4	2
Covering box units	32	-	32	16
Item no.	65.4414	65.4400	65.4401	65.4403

Female thread in mm	30.93	39.59	45.48	57.29
Female thread	G1	G1¼	G1½	G2
Nominal width (NW) mm	23	29	36	45
Operating pressure max. bar	25	25	25	25
A mm	104	118	138	162
B mm	55	65	79	93
C mm	124	134	145	186
D mm	170	170	170	280
G mm	80	92	109	128
PU units	2	2	2	2
Covering box units	12	12	6	4
Item no.	65.4404	65.4406	65.4407	65.4409



9

Special note: Operating pressure dependent on the operating temperature. Data only represents approximate values. Therefore, no claim to absolute authority. No acceptance of guarantee. Dimensions and technical data subject to change.



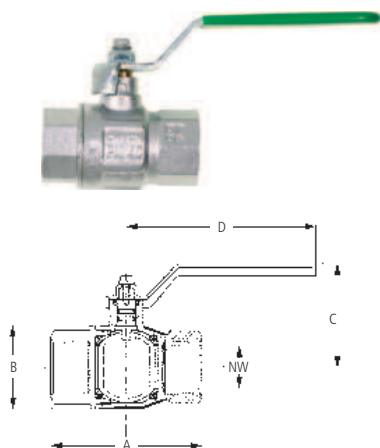
Drinking water ball valves, *brass, nickel-plated*



For drinking water

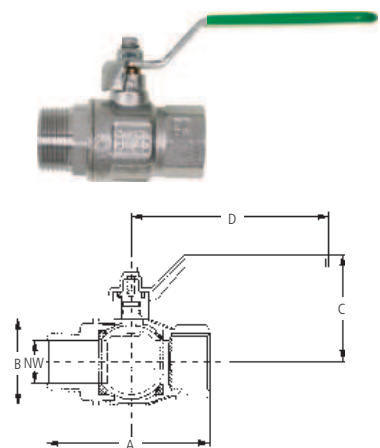
Material:.....housing: brass CW617N, nickel-plated; ball: brass CW617N, hard chrome-plated; spindle: brass CW614N; **lever: steel**, plastic-coated, green
 Operating temperature:.....water 0 °C to +100 °C; air -20 °C to +100 °C
 Seal:.....ball with PTFE seal rings; spindle with two O-rings NBR and FKM (fluororubber) as per DIN ISO 1629
 Note:.....**full passage**

Drinking water ball valves DIN DVGW with female thread



Female thread in mm	15.39	19.17	24.66	30.93	39.59	45.48	57.29
Female thread	G3/8	G1/2	G3/4	G1	G1¼	G1½	G2
Female thread in mm	15.39	19.17	24.66	30.93	39.59	45.48	57.29
Female thread	G3/8	G1/2	G3/4	G1	G1¼	G1½	G2
AF mm	21	25	31	38	47	54	66
Nominal width (NW) mm	10	15	20	25	32	40	50
Operating pressure max. bar	50	50	40	40	30	30	25
A mm	52	61	68	85	100	109	130
B mm	24	31	37	46	58	71	85
C mm	42	50	56	60	77	92	99
D mm	86	93	114	114	138	158	158
PU units	12	10	8	6	4	2	2
Item no.	02.9100	02.9101	02.9103	02.9104	02.9106	02.9107	02.9109

Drinking water ball valves DIN DVGW with female and male thread



Female thread in mm	15.39	19.17	24.66	30.93	39.59	45.48	57.29
Female thread	G3/8	G1/2	G3/4	G1	G1¼	G1½	G2
Male thread in mm	16.66	20.95	26.44	33.25	41.91	47.80	59.61
Male thread	R3/8	R1/2	R3/4	R1	R1¼	R1½	R2
AF mm	21	25	31	38	47	54	66
Nominal width (NW) mm	10	15	20	25	32	40	50
Operating pressure max. bar	50	50	40	40	30	30	25
A mm	59	68	76	91	105	116	136
B mm	24	31	37	46	58	71	85
C mm	42	50	56	60	77	92	99
D mm	86	93	114	114	138	158	158
PU units	12	10	8	6	4	2	2
Item no.	02.9200	02.9201	02.9203	02.9204	02.9206	02.9207	02.9209

9

Special note: Operating pressure dependent on the operating temperature. Data only represents approximate values. Therefore, no claim to absolute authority. No acceptance of guarantee. Dimensions and technical data subject to change.

Ball valves, stainless steel

Advantage / benefit:.....with lever locking device

Material:.....housing, ball: stainless steel 1.4408; spindle: stainless steel 1.4401;
lever: stainless steel 1.4301, plastic-coated, blue

Operating pressure:max. 70 bar at +90 °C

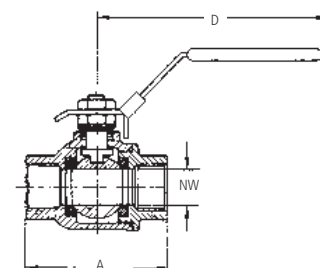
Seal:ball with PTFE seal rings; spindle with two PTFE seal rings

Note:full passage

Ball valves, 2-piece, stainless steel

Female thread in mm	11.89	15.39	19.17	24.66
Female thread	G1/4	G3/8	G1/2	G3/4
Female thread in mm	11.89	15.39	19.17	24.66
Female thread	G1/4	G3/8	G1/2	G3/4
AF mm	22	22	26	32
Nominal width (NW) mm	11	13	15	20
Operating pressure at +90 °C bar	70	70	70	70
Operating pressure at +150 °C bar	40	40	40	40
Operating pressure at +200 °C bar	15	15	15	15
A mm	53	51	60	71
D mm	103	103	103	126
PU units	10	10	10	5
Item no.	65.3020	65.3021	65.3022	65.3023

Female thread in mm	30.93	39.59	45.48	57.29
Female thread	G1	G1¼	G1½	G2
Female thread in mm	30.93	39.59	45.48	57.29
Female thread	G1	G1¼	G1½	G2
AF mm	40	48	56	70
Nominal width (NW) mm	25	32	38	50
Operating pressure at +90 °C bar	70	70	70	70
Operating pressure at +150 °C bar	40	40	40	40
Operating pressure at +200 °C bar	15	15	15	15
A mm	84	99	105	120
D mm	144	144	194	197
PU units	5	2	2	2
Item no.	65.3024	65.3025	65.3026	65.3027



GEKA® ball valves for watering wands

Material:.....brass nickel-plated; ball: hard chrome-plated with O-rings PTFE;
toggle: stainless steel,
painted in red; ball valve 50.5649.9: plastic

Seal:flat seal ring at the female thread

GEKA® ball valves for watering wands

Female thread in mm	19.17	24.66	24.66	24.66
Female thread	G1/2	G3/4	G3/4	G3/4
Male thread in mm	26.44	26.44	26.44	26.44
Male thread	G3/4	G3/4	G3/4	G3/4
Nominal size in mm	13	13	13	13
Nominal size	1/2"	1/2"	1/2"	1/2"
Approx. length in mm	69	53	53	65
PU units	10	10	10	10
Covering box units	60	50	100	140
Item no.	51.5469.9	51.5471	50.5548	50.5649



51.5469.9 for Soft Rain KX, multi and multisport



51.5471 for universal washer



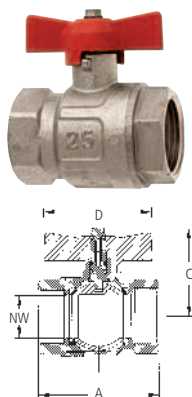
50.5548 for Soft Rain, Vario and sport



50.5649 for Soft Rain and Soft Rain PX

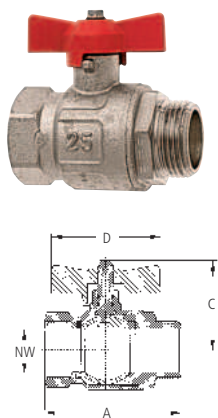
Ball valves with wing handle, *brass, nickel-plated*

Material:.....housing: brass nickel-plated; ball: brass, hard chrome-plated;
 spindle: brass; wing handle: aluminium, painted in red
 Operating temperature:.....water 0 °C to +100 °C; air -15 °C to +220 °C
 Seal:.....ball with PTFE seal rings; spindle with FKM O-ring (fluororubber) as per DIN ISO 1629
 and NBR O-ring
 Note:.....**full passage**



Ball valves with female thread

Female thread in mm	11.89	15.39	19.17	24.66	30.93
Female thread	G1/4	G3/8	G1/2	G3/4	G1
Female thread in mm	11.89	15.39	19.17	24.66	30.93
Female thread	G1/4	G3/8	G1/2	G3/4	G1
AF mm	23.5	24	30.5	37	45.5
Nominal width (NW) mm	10	10	15	20	25
Operating pressure max. bar	40	40	40	40	40
A mm	44	44	52	57	69
C mm	36.5	36.5	40	48	52
D mm	47	47	47	62	62
PU units	15	20	12	8	8
Covering box units	120	120	72	48	32
Item no.	18.5814	18.5890	18.5891	18.5893	18.5894

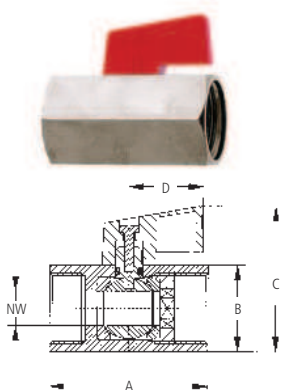


Ball valves with female and male thread

Female thread in mm	11.89	15.39	19.17	24.66	30.93
Female thread	G1/4	G3/8	G1/2	G3/4	G1
Male thread in mm	13.16	16.66	20.95	26.44	33.25
Male thread	G1/4	G3/8	G1/2	G3/4	G1
AF mm	24	24	31	37	46
Nominal width (NW) mm	10	10	15	20	25
Operating pressure max. bar	40	40	40	40	40
A mm	55	55	59	65	77
C mm	37	37	40	48	52
D mm	47	47	47	62	62
PU units	12	15	12	6	8
Covering box units	120	90	72	60	32
Item no.	18.5914	18.5990	18.5991	18.5993	18.5994

GEKA® mini ball valves, *brass, chrome-plated*

Material:.....housing: brass, chrome-plated; ball: brass, hard chrome-plated;
 spindle: brass; T-handle: plastic, nylon red
 Operating pressure:.....max. 15 bar
 Operating temperature:.....water 0 °C to +90 °C; air -15 °C to +110 °C
 Seal:.....ball with PTFE seal rings; spindle with O-ring NBR
 Note:.....**reduced passage**



GEKA® mini ball valves with female thread

Female thread in mm	8.85	11.89	15.39	19.17	24.66
Female thread	G1/8	G1/4	G3/8	G1/2	G3/4
Female thread in mm	8.85	11.89	15.39	19.17	24.66
Female thread	G1/8	G1/4	G3/8	G1/2	G3/4
Nominal width (NW) mm	6	8	8	10	12
Length (A) mm	40	40	40	46	52
Hexagon AF (B) mm	21	21	21	25	30
C mm	38	38	38	42	48
D mm	22	22	22	22	22
PU units	20	20	20	20	15
Covering box units	120	120	140	120	60
Item no.	65.4618	65.4614	65.4600	65.4601	65.4603

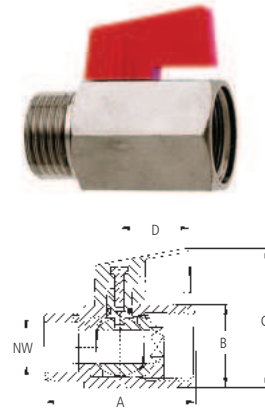
Special note: Operating pressure dependent on the operating temperature. Data only represents approximate values. Therefore, no claim to absolute authority. No acceptance of guarantee. Dimensions and technical data subject to change.

GEKA® mini ball valves, *brass, chrome-plated*

Material:.....housing: brass, chrome-plated; ball: brass, hard chrome-plated;
spindle: brass; T-handle: plastic nylon
Operating pressure:max. 15 bar
Operating temperature:water 0 °C to +90 °C; air -15 °C to +110 °C
Seal:ball with PTFE seal rings; spindle with O-ring NBR
Colour:T-handle red
Note:**reduced passage**

GEKA® mini ball valves with female and male thread

Female thread in mm	8.85	11.89	15.39	19.17	24.66
Female thread	G1/8	G1/4	G3/8	G1/2	G3/4
Male thread in mm	9.73	13.16	16.66	20.95	26.44
Male thread	G1/8	G1/4	G3/8	G1/2	G3/4
Nominal width (NW) mm	6	8	8	10	12
Length (A) mm	40	39	40	48	54
Hexagon AF (B) mm	21	21	21	25	30
C mm	38	38	38	42	48
D mm	22	22	22	22	22
PU units	25	30	25	25	18
Covering box units	150	180	200	150	108
Item no.	65.4718	65.4714	65.4700	65.4701	65.4703



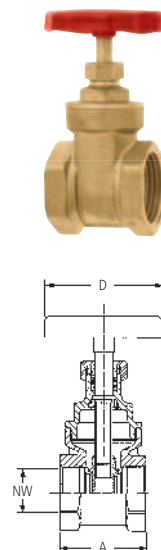
Coupling slide gate valves

Material:.....brass; handwheel: sheet steel, painted
Operating temperature:max. +100 °C
Seal:spindle with NBR seal rings
Colour:handwheel: red
Note:metal-sealing

Coupling slide gate valves with female thread

Female thread in mm	19.17	24.66	30.93	39.59	45.48
Female thread	G1/2	G3/4	G1	G1¼	G1½
Female thread in mm	19.17	24.66	30.93	39.59	45.48
Female thread	G1/2	G3/4	G1	G1¼	G1½
AF mm	24	30	37	46	52
Nominal width (NW) mm	13	15	19	27	33
Operating pressure max. bar	10	10	10	10	10
A mm	34	40	44	51	52
D mm	44	44	48	54	70
PU units	20	12	6	5	10
Covering box units	180	80	36	50	18
Item no.	35.0211	35.0213	35.0214	35.0216	35.0217

Female thread in mm	57.29	72.86	85.56	110.71
Female thread	G2	G2½	G3	G4
Female thread in mm	57.29	72.86	85.56	110.71
Female thread	G2	G2½	G3	G4
AF mm	65	83	94	120
Nominal width (NW) mm	42	59	68	78
Operating pressure max. bar	10	10	10	10
A mm	56	62	74	82
D mm	70	100	108	130
PU units	5	1	1	1
Covering box units	18	8	8	2
Item no.	35.0219	35.0225	35.0230	35.0240



9

Special note: Operating pressure dependent on the operating temperature. Data only represents approximate values. Therefore, no claim to absolute authority. No acceptance of guarantee. Dimensions and technical data subject to change.



GEKA® plus design water taps



GEKA® plus
push-fit system



Grommet

GEKA® plus design water taps

Advantage / benefit: **design water tap with GEKA® plus connector plug**
can be combined with all standard push-fit systems
and hose types
long-lasting and easy to operate

Material: brass, chrome-plated

Area of application: for garden, house, workshop, etc.

Male thread at inlet mm	20.95	20.95	26.44	26.44
Male thread at inlet	G1/2	G1/2	G3/4	G3/4
Male thread at outlet mm		26.44		33.25
Male thread at outlet		G3/4		G1
Connection	GEKA® plus push-fit system	Grommet 1/2"	GEKA® plus push-fit system	Grommet 3/4"
PU units	1	1	1	1
Covering box units	30	7	30	30
Item no.	46.8121	46.8122.9	46.8123	46.8124.9

Water taps

Water taps with threaded hose fitting

Material: valve body, upper part of valve: brass;
grommet: brass sheet with plastic insert
for concentrated medium flow

Connection: male thread and threaded hose fitting at water outlet



Male thread at inlet mm	20.95	20.95	20.95	20.95	26.44
Male thread at inlet	G1/2	G1/2	G1/2	G1/2	G3/4
Nominal size in mm	13	13	13	13	19
Nominal size	1/2"	1/2"	1/2"	1/2"	3/4"
Male thread at outlet mm	26.44	26.44	26.44	26.44	33.25
Male thread at outlet	G3/4	G3/4	G3/4	G3/4	G1
Hose ID mm	13	13	13	13	19
Surface	matt	polished	matt, chrome-plated	polished, chrome-plated	matt
PU units	10	5	10	1	1
Covering box units	50	30	60	40	30
Item no.	36.0021	36.0121	36.2121	36.1121	36.0023
Male thread at inlet mm	26.44	26.44	26.44	33.25	
Male thread at inlet	G3/4	G3/4	G3/4	G1	
Nominal size in mm	19	19	19	25	
Nominal size	3/4"	3/4"	3/4"	1"	
Male thread at outlet mm	33.25	33.25	33.25	41.91	
Male thread at outlet	G1	G1	G1	G1 1/4	
Hose ID mm	19	19	19	25	
Surface	polished	matt, chrome-plated	polished, chrome-plated	matt, chrome-plated	
PU units	5	5	1	1	
Covering box units	30	30	30	20	
Item no.	36.0123	36.2123	36.1123	36.2124	

Water taps

Water taps with return flow stopper, brass, chrome-plated

Connection: male thread and threaded hose fitting at water outlet,
with return flow stopper and pipe vent DIN DVGW 734 V

Male thread at inlet mm	20.95	26.44
Male thread at inlet	G1/2	G3/4
Nominal size in mm	13	19
Nominal size	1/2"	3/4"
Male thread at outlet mm	26.44	26.44
Male thread at outlet	G3/4	G3/4
Hose ID mm	13	19
Surface	matt, chrome-plated	matt, chrome-plated
PU units	1	1
Covering box units	40	28
Item no.	36.4210	36.4230



GEKA® hose clamps W1, steel galvanised

Quality information:W1, DIN 3017

Material:.....band and screw casing: steel galvanised;
hexagon screw: steel blue chromated; chromium VI-free

Screw:.....hexagon screw with slot



GEKA® hose clamps W1, 9 mm

For hoses with outer diameter from 8 mm to 110 mm

Clamping range mm	8-12	10-16	12-22	16-25	20-32
Band width mm	9	9	9	9	9
PU units	100	100	100	100	100
Covering box units	1000	1000	1000	1000	500
Item no.	79.8101	79.8102	79.8103	79.8104	79.8105

Clamping range mm	25-40	35-50	40-60	50-70	60-80
Band width mm	9	9	9	9	9
PU units	100	50	50	50	25
Covering box units	500	500	500	500	250
Item no.	79.8106	79.8107	79.8108	79.8109	79.8110

Clamping range mm	70-90	80-100	90-110
Band width mm	9	9	9
PU units	25	25	25
Covering box units	250	250	250
Item no.	79.8111	79.8112	79.8113

GEKA® hose clamps W1, 12 mm

For hoses with outer diameter from 12 mm to 210 mm

Clamping range mm	12-22	16-25	20-32	25-40	35-50
Band width mm	12	12	12	12	12
PU units	50	50	50	50	50
Covering box units	500	500	500	500	500
Item no.	79.8203	79.8204	79.8205	79.8206	79.8207

Clamping range mm	40-60	50-70	60-80	70-90	80-100
Band width mm	12	12	12	12	12
PU units	25	25	25	25	25
Covering box units	250	250	250	250	250
Item no.	79.8208	79.8209	79.8210	79.8211	79.8212

Clamping range mm	90-110	100-120	110-130	120-140	130-150
Band width mm	12	12	12	12	12
PU units	20	1	1	1	1
Covering box units	200	200	200	150	150
Item no.	79.8213	79.8214	79.8215	79.8216	79.8217

Clamping range mm	160-180	190-210
Band width mm	12	12
PU units	1	1
Covering box units	120	90
Item no.	79.8220	79.8221



GEKA® hose clamps W2, stainless steel



Quality information:W2, DIN 3017

Material:.....band and screw casing: stainless steel 1.4016, corrosion-resistant;
hexagon screw: steel blue chromated; chromium VI-free

Screw:hexagon screw with slot

GEKA® hose clamps W2, 9 mm

For hoses with outer diameter from 8 mm to 120 mm

Clamping range mm	8-12	8-16	10-16	12-22	16-25
Band width mm	9	9	9	9	9
PU units	100	100	100	100	100
Covering box units	1000	500	1000	1000	1000
Item no.	79.8401	79.8421	79.8402	79.8403	79.8404

Clamping range mm	20-32	25-40	35-50	40-60	50-70
Band width mm	9	9	9	9	9
PU units	100	100	50	50	50
Covering box units	500	500	500	500	500
Item no.	79.8405	79.8406	79.8407	79.8408	79.8409

Clamping range mm	60-80	70-90	80-100	90-110	100-120
Band width mm	9	9	9	9	9
PU units	25	25	25	25	20
Covering box units	250	250	250	250	200
Item no.	79.8410	79.8411	79.8412	79.8413	79.8414



GEKA® hose clamps W2, 12 mm

For hoses with outer diameter from 100 mm to 210 mm

Clamping range mm	100-120	110-130	120-140	130-150	160-180	190-210
Band width mm	12	12	12	12	12	12
PU units	1	1	1	1	1	1
Covering box units	200	200	150	150	120	90
Item no.	79.8714	79.8715	79.8716	79.8717	79.8720	79.8721



GEKA® hose clamps W4, stainless steel



Quality information:W4, DIN 3017

Material:.....band, screw casing and hexagon screw:
stainless steel 1.4301, corrosion-resistant

Screw:hexagon screw with slot

GEKA® hose clamps W4, 9 mm

For hoses with outer diameter from 8 mm to 110 mm

Clamping range mm	8-12	10-16	12-20	16-25	20-32
Band width mm	9	9	9	9	9
PU units	100	100	100	100	100
Covering box units	1000	1000	1000	1000	500
Item no.	79.8501	79.8502	79.8503	79.8504	79.8505

Clamping range mm	25-40	35-50	40-60	50-70	60-80
Band width mm	9	9	9	9	9
PU units	100	50	50	50	25
Covering box units	500	500	500	500	250
Item no.	79.8506	79.8507	79.8508	79.8509	79.8510

Clamping range mm	70-90	80-100	90-110
Band width mm	9	9	9
PU units	25	25	25
Covering box units	250	250	250
Item no.	79.8511	79.8512	79.8513



10



GEKA® hose clamps W4, *stainless steel*



Quality information: W4, DIN 3017

Material: band, screw casing and hexagon screw: stainless steel 1.4301, corrosion-resistant

Screw: hexagon screw with slot



GEKA® hose clamps W4, 12 mm

For hoses with outer diameter from 12 mm to 180 mm

Clamping range mm	12-22	16-25	20-32	25-40	35-50	40-60
Band width mm	12	12	12	12	12	12
PU units	50	50	50	50	50	25
Covering box units	500	500	500	500	500	250
Item no.	79.8303	79.8304	79.8305	79.8306	79.8307	79.8308

Clamping range mm	50-70	60-80	70-90	80-100	90-110	100-120
Band width mm	12	12	12	12	12	12
PU units	25	25	25	25	20	1
Covering box units	250	250	250	250	200	200
Item no.	79.8309	79.8310	79.8311	79.8312	79.8313	79.8314

Clamping range mm	110-130	120-140	130-150	160-180
Band width mm	12	12	12	12
PU units	1	1	1	1
Covering box units	200	150	150	120
Item no.	79.8315	79.8316	79.8317	79.8320

GEKA® hose clamps W5, *stainless steel*



Quality information: W5, DIN 3017

Material: band, screw casing and hexagon screw: stainless steel 1.4401, corrosion- and acid-resistant

screw: hexagon screw with slot



GEKA® hose clamps W5, 9 mm

For hoses with outer diameter from 10 mm to 110 mm

Clamping range mm	10-16	12-22	16-25	20-32	25-40	35-50
Band width mm	9	9	9	9	9	9
PU units	100	100	100	100	100	100
Covering box units	1000	1000	1000	500	500	500
Item no.	80.8602	80.8603	80.8604	80.8605	80.8606	80.8607

Clamping range mm	40-60	50-70	60-80	70-90	80-100	90-110
Band width mm	9	9	9	9	9	9
PU units	50	50	25	25	25	25
Covering box units	500	500	250	250	250	250
Item no.	80.8608	80.8609	80.8610	80.8611	80.8612	80.8613

GEKA® hose clamps W5, 12 mm

For hoses with outer diameter from 12 mm to 110 mm

Clamping range mm	12-22	16-25	20-32	25-40	35-50	40-60
Band width mm	12	12	12	12	12	12
PU units	50	50	50	50	50	25
Covering box units	500	500	500	500	500	250
Item no.	80.8203	80.8204	80.8205	80.8206	80.8207	80.8208

Clamping range mm	50-70	60-80	70-90	80-100	90-110
Band width mm	12	12	12	12	12
PU units	25	25	25	25	20
Covering box units	250	250	250	250	200
Item no.	80.8209	80.8210	80.8211	80.8212	80.8213



10



GEKA® pivot pin clamps W1, steel galvanised

Advantage / benefit:.....very high, constant clamping force, vibration-resistant

Quality information:W1

Material:.....band and screw casing: steel galvanised;
hexagon screw: steel blue chromated; chromium VI-free

Screw:.....hexagon screw

GEKA® pivot pin clamps W1, 18 mm to 26 mm

For hoses with outer diameter from 17 mm to 226 mm

Clamping range mm	17-19	20-22	23-25	26-28	29-31
Band width mm	18	18	18	18	20
PU units	25	25	25	25	25
Covering box units	250	250	250	250	250
Item no.	79.4301	79.4302	79.4303	79.4304	79.4305

Clamping range mm	32-35	36-39	40-43	44-47	48-51
Band width mm	20	20	20	23	23
PU units	25	25	25	25	1
Covering box units	250	125	125	125	125
Item no.	79.4306	79.4307	79.4308	79.4309	79.4310

Clamping range mm	52-55	56-59	60-63	64-67	68-73
Band width mm	23	23	23	23	24
PU units	1	1	1	1	1
Covering box units	100	100	75	75	50
Item no.	79.4311	79.4312	79.4313	79.4314	79.4315

Clamping range mm	74-79	80-85	86-91	92-97	98-103
Band width mm	24	24	24	24	24
PU units	1	1	1	1	1
Covering box units	50	100	75	50	25
Item no.	79.4316	79.4317	79.4318	79.4319	79.4320

Clamping range mm	104-112	113-121	122-130	131-139	140-148
Band width mm	24	24	24	26	26
PU units	1	1	1	1	1
Covering box units	75	24	40	32	30
Item no.	79.4321	79.4322	79.4323	79.4324	79.4325

Clamping range mm	149-161	162-174	175-187	188-200	201-213
Band width mm	26	26	26	26	26
PU units	1	1	1	1	10
Covering box units	25	20	20	20	20
Item no.	79.4326	79.4327	79.4328	79.4329	79.4330

Clamping range mm	214-226
Band width mm	26
PU units	10
Covering box units	20
Item no.	79.4340



GEKA® pivot pin clamps W4, *stainless steel*



Advantage / benefit:.....very high, constant clamping force, vibration-resistant

Quality information:W4

Material:.....band, screw casing and hexagon screw: stainless steel 1.4301

GEKA® pivot pin clamps W4, 18 mm to 26 mm

For hoses with outer diameter from 17 mm to 226 mm

Clamping range mm	17-19	20-22	23-25	26-28	29-31	32-35	36-39
Band width mm	18	18	18	18	20	20	20
PU units	25	25	25	25	25	25	25
Covering box units	250	250	250	250	250	250	125
Item no.	79.4401	79.4402	79.4403	79.4404	79.4405	79.4406	79.4407

Clamping range mm	40-43	44-47	48-51	52-55	56-59	60-63	64-67
Band width mm	20	23	23	23	23	23	23
PU units	25	25	25	25	25	25	25
Covering box units	125	125	125	100	100	75	75
Item no.	79.4408	79.4409	79.4410	79.4411	79.4412	79.4413	79.4414

Clamping range mm	68-73	74-79	80-85	86-91	92-97	98-103	104-112
Band width mm	24	24	24	24	24	24	24
PU units	25	25	25	25	25	25	25
Covering box units	50	50	100	75	50	25	75
Item no.	79.4415	79.4416	79.4417	79.4418	79.4419	79.4420	79.4421

Clamping range mm	113-121	122-130	131-139	140-148	149-161	162-174	175-187
Band width mm	24	24	26	26	26	26	26
PU units	24	20	16	15	25	10	10
Covering box units	24	40	32	30	25	20	20
Item no.	79.4422	79.4423	79.4424	79.4425	79.4426	79.4427	79.4428

Clamping range mm	188-200	201-213	214-226
Band width mm	26	26	26
PU units	10	10	10
Covering box units	20	20	20
Item no.	79.4429	79.4430	79.4440



GEKA® double hose clamps



85.8818



85.9818

GEKA® double hose clamps

Aluminium double hose clamps for gas and oxygen hoses

Material	Aluminium	Durethan
Outer diameter of hose mm	16/16	16/16
PU units	20	20
Covering box units	600	500
Item no.	85.8818	85.9818

10

GEKA® clamp collars



GEKA® clamp collars, 2-part, brass

Quality information:..... hexagon socket screws and nuts DIN 912 and 934

Material: brass

Screw: hexagon socket screws

Use GEKA® suction/pressure spiral hoses

Clamping range mm	25-27	31-34	38-41
PU units	10	10	5
Covering box units	200	160	100
Item no.	83.8333	83.8334	83.8336



IDEAL hose clamps W1, steel galvanised

Advantage / benefit:.....smooth inner surface of band, high and constant clamping force

Quality information:W1, DIN 3017

Material:.....steel, galvanised, silicone-free

Screw:hexagon screw with slot and cross recess

IDEAL hose clamps W1, 9 mm

For hoses with outer diameter from 8 mm to 130 mm

Clamping range mm	8-12	10-16	12-20	16-25	20-32
Band width mm	9	9	9	9	9
PU units	100	100	100	100	100
Covering box units	3200	3200	2000	2000	1200
Item no.	83.3801	83.3802	83.3803	83.3804	83.3805

Clamping range mm	25-40	32-50	40-60	50-70	60-80
Band width mm	9	9	9	9	9
PU units	100	50	50	50	50
Covering box units	1200	600	600	600	300
Item no.	83.3806	83.3807	83.3808	83.3809	83.3810

Clamping range mm	70-90	80-100	90-110	100-120	110-130
Band width mm	9	9	9	9	9
PU units	50	1	1	1	1
Covering box units	500	100	50	200	-
Item no.	83.3811	83.3812	83.3813	83.3814	83.3815



IDEAL hose clamps W1, 12 mm

For hoses with outer diameter from 12 mm to 130 mm

Clamping range mm	12-20	16-25	20-32	25-40	32-50
Band width mm	12	12	12	12	12
PU units	100	100	100	100	50
Covering box units	1400	1200	1200	1200	600
Item no.	83.3903	83.3904	83.3905	83.3906	83.3907

Clamping range mm	40-60	50-70	60-80	70-90	80-100
Band width mm	12	12	12	12	12
PU units	50	50	50	50	1
Covering box units	600	500	500	500	500
Item no.	83.3908	83.3909	83.3910	83.3911	83.3912

Clamping range mm	90-110	100-120	110-130
Band width mm	12	12	12
PU units	1	1	1
Covering box units	500	100	100
Item no.	83.3913	83.3914	83.3915



ABA hose clamps W1, *steel aluminium-zinc alloy*

Advantage / benefit:.....smooth inner surface of band and raised band edges guarantee optimal hose protection, high and constant clamping force; vibration-resistant

Quality information:W1, DIN 3017

Material:.....steel band coated with aluminium-zinc alloy, silicone-free
3x better corrosion protection compared to traditional hot-dip galvanising

Housing:.....screw casing: steel pipe (pressed from one piece), aluminium-zinc painted in blue

Screw:.....hexagon screw with slot made from steel, hot-dip galvanised, chromated



ABA hose clamps W1, 9 mm and 12 mm

For hoses with outer diameter from 8 mm to 180 mm

Clamping range mm	8 - 12	10 - 16	12 - 22	16 - 25	20 - 32
Band width mm	9	9	9	12	12
PU units	50	50	50	50	50
Covering box units	1000	1000	1000	1000	500
Item no.	79.2901	79.2902	79.2903	79.3004	79.3005

Clamping range mm	25 - 40	32 - 50	40 - 60	50 - 70	60 - 80
Band width mm	12	12	12	12	12
PU units	50	50	50	50	50
Covering box units	500	500	200	200	200
Item no.	79.3006	79.3007	79.3008	79.3009	79.3010

Clamping range mm	70 - 90	80 - 100	90 - 110	100 - 120	110 - 130
Band width mm	12	12	12	12	12
PU units	50	25	1	1	50
Covering box units	100	100	100	100	100
Item no.	79.3011	79.3012	79.3013	79.3014	79.3015

Clamping range mm	120 - 140	130 - 150	140 - 160	160 - 180
Band width mm	12	12	12	12
PU units	50	1	1	1
Covering box units	100	100	50	50
Item no.	79.3016	79.3017	79.3018	79.3020

ABA hose clamps W5, *stainless steel*



Advantage / benefit:.....smooth inner surface of band and raised band edges guarantee optimal hose protection

Quality information:W5, DIN 3017

Material:.....stainless steel 1.4436, corrosion- and acid-resistant, silicone-free

Housing:.....screw casing, 4-fold riveted
(versions 79.4001 to 79.4003 resistance welded)

Screw:.....hexagon screw with slot



ABA hose clamps W5, 9 mm and 12.2 mm

For hoses with outer diameter from 8 mm to 75 mm

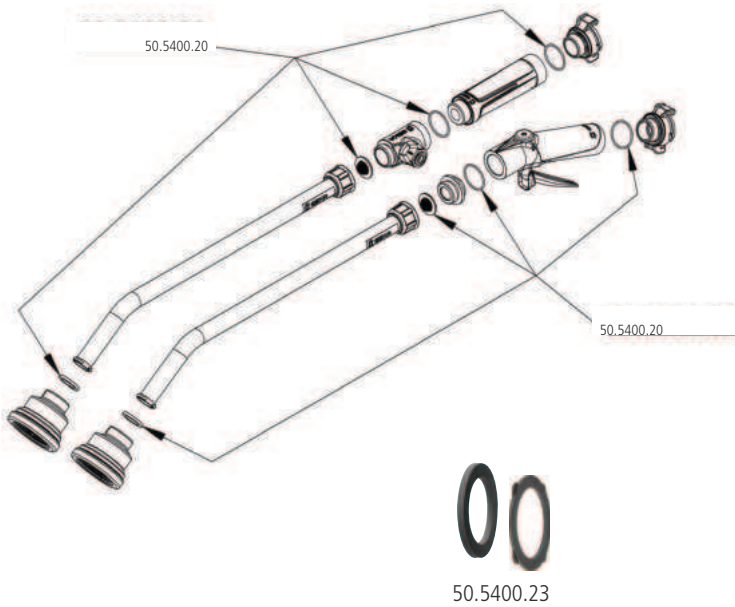
Clamping range mm	8-14	11-17	13-20	15-24	19-28	22-32
Band width mm	9	9	9	12.2	12.2	12.2
PU units	50	50	50	50	50	50
Covering box units	-	-	-	500	300	300
Item no.	79.4001	79.4002	79.4003	79.4004	79.4005	79.4006

Clamping range mm	26-38	32-44	38-50	50-65	58-75
Band width mm	12.2	12.2	12.2	12.2	12.2
PU units	50	50	50	50	50
Covering box units	300	-	-	100	100
Item no.	79.4007	79.4008	79.4009	79.4011	79.4012



Spare parts for GEKA® plus watering wands Soft Rain

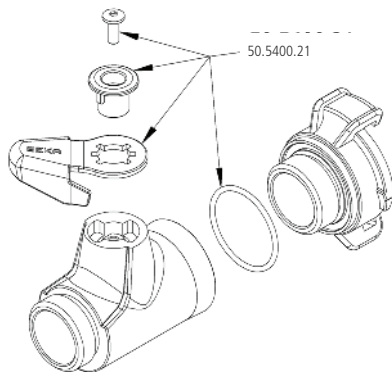
Spare parts for GEKA® plus watering wands Soft Rain



Item no.	Designation
50.5400.20	GEKA® plus sealing kit Soft Rain
50.5400.23	Sealing kit for GEKA® plus quick couplings

Information about 50.5400.23:
 For combination of GEKA® plus Soft Rain watering wands classic, classic plus and Vario plus with all traditional GEKA® plus quick couplings

Spare parts for GEKA® plus ball valve Soft Rain

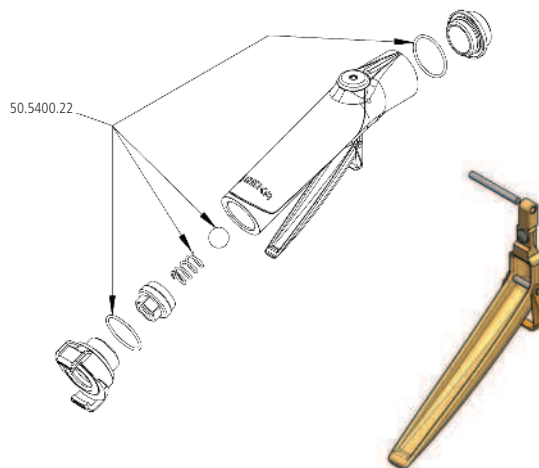


For Item no. 50.5419.9, 50.5419.9, 50.5459.9



Item no.	Designation
50.5400.21	GEKA® plus spare parts set Soft Rain

Spare parts for GEKA® plus lever valve Soft Rain



For Item no. 50.5421.9



Item no.	Designation
50.5400.22	GEKA® plus spare parts set Soft Rain for 50.5421.9

Note:
 A 17 mm socket wrench is required.

Item no.	Designation
50.5400.24	GEKA® plus spare lever Soft Rain for 50.5421.9

Spare parts for GEKA® plus watering wands and watering showers

Spare parts for GEKA® plus spray heads

For Item no. 55.5050.9, 55.5051.9, 55.5052.9, 55.6050.9, 55.6150.9, 55.5000.9, 55.5001.9



Item no.	Designation
55.5055	Rubber protection ring for 55.5050.9, 55.5051.9, 55.5150.9
55.6055	Rubber protection ring for 55.6050.9, 55.6150.9



Spare parts for GEKA® threaded nipples

For Item no. 56.4301, 56.4302

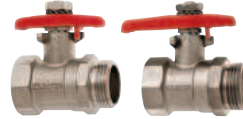


Item no.	Designation
56.9000	Seal 32 x 23.5 x 2.5 mm - 3 mm



Spare parts for GEKA® ball valves

For Item no. 50.5548, 51.5471, 51.5469.9



50.5549



51.5492

Item no.	Designation
50.5549	Toggle for ball valve 50.5548 symmetrical lever, red
51.5492	Toggle for ball valve 51.5469.9 asymmetrical lever, red

Spare parts for fan nozzles

For Item no. 52.5282, 52.5283



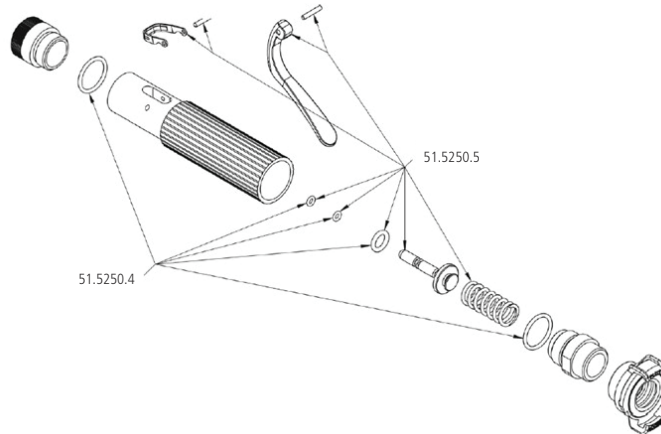
Item no.	Designation
52.5887	Seal plate EWP 210

Spare parts for GEKA® plus pot watering wand, valve

For Item no. 51.5301.9



Item no.	Designation
51.5300.4	Seal set
51.5300.5	Spare parts set

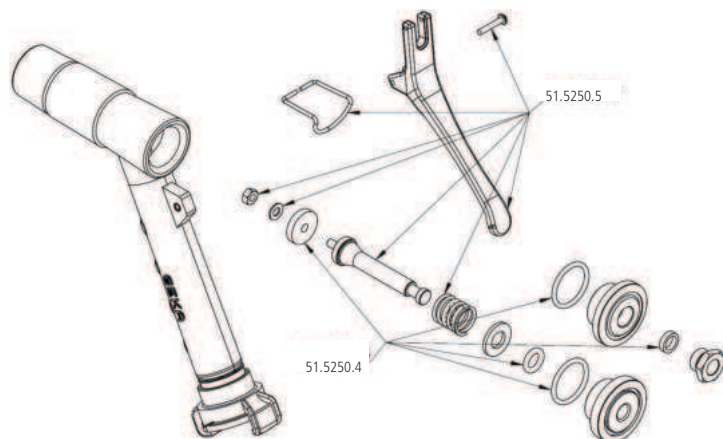


Spare parts for GEKA® plus watering showers

For Item no. 51.5250.9, 51.5251.9



Item no.	Designation
51.5250.4	Seal set
51.5250.5	Spare parts set for body of device



Spare parts for intermediate valves

Spare parts for intermediate valves, heavy-duty version



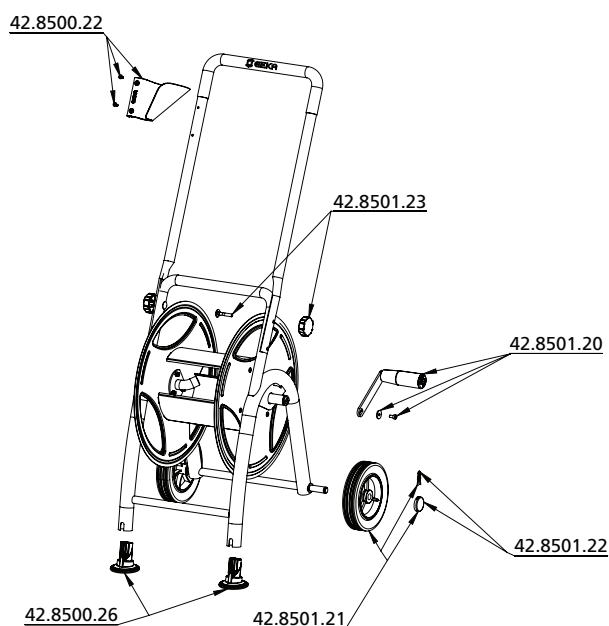
For Item no.	18.5793, 18.5794, 18.5796, 18.5797
--------------	---------------------------------------



Item no.	Designation
18.5790.1	Drain plug with seal

Spare parts for hose trolleys

Spare parts for GEKA® plus P25 and P25SST hose trolleys



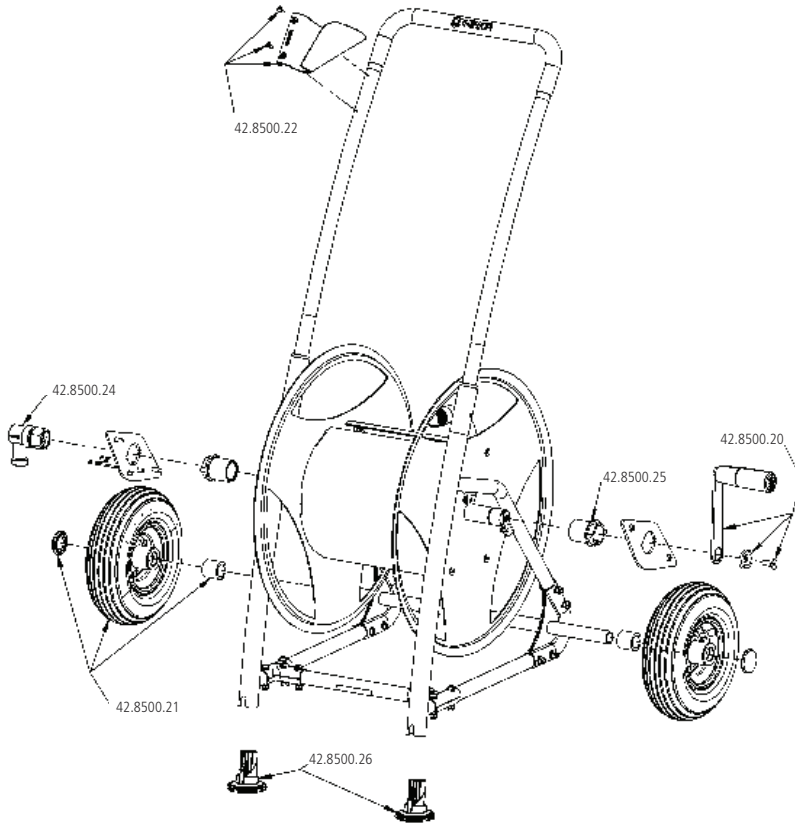
For Item no.	42.8501.9, 42.8506.9
--------------	----------------------



Item no.	Designation
42.8501.20	Crank set
42.8501.21	Wheel 148x38 with wheel fastening
42.8501.22	Wheel fastening, 2 pc.
42.8501.23	Grip fastening, 2 pc.
42.8500.22	Accessories holder, plastic
42.8500.26	Feet, 2 pc.

Spare parts for hose trolleys and hose reels

Spare parts for GEKA® plus P40 and P40SST hose trolleys

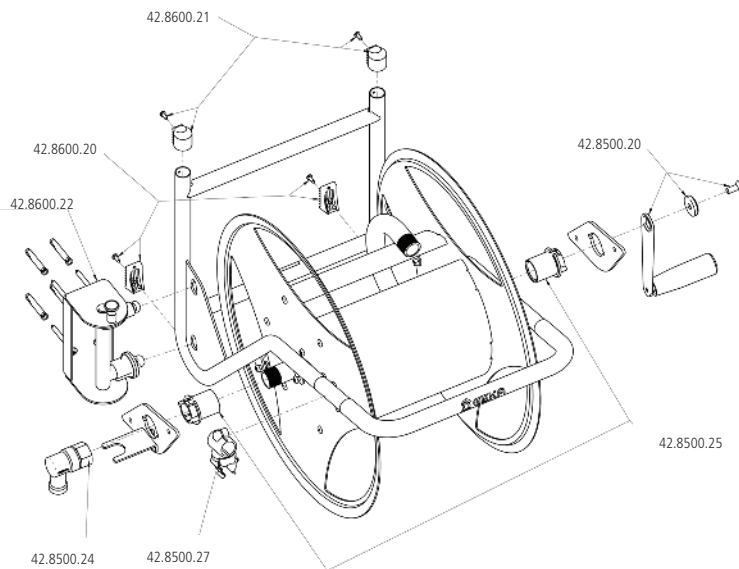


For Item no. 42.8502.9, 42.8505.9



Item no.	Designation
42.8500.20	Crank set
42.8500.21	Wheel 210x65 with wheel cap
42.8500.22	Accessories holder, plastic
42.8500.24	Rotary fitting 3/4" brass
42.8500.25	Spindle bearing, 2 pc.
42.8500.26	Feet, 2 pc.
42.8500.27	Clip for hoses

Spare parts for GEKA® plus P40 hose reels



For Item no. 42.8602.9



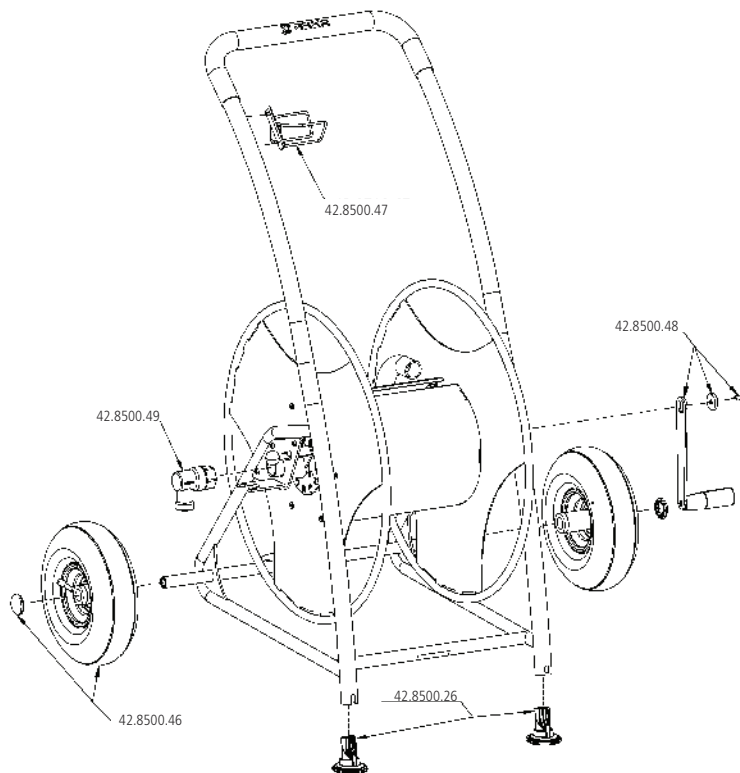
Item no.	Designation
42.8500.20	Crank set
42.8500.24	Rotary fitting 3/4" brass
42.8500.25	Spindle bearing, 2 pc.
42.8500.27	Clip for hoses
42.8600.20	Feet with screws, 2 pc.
42.8600.21	Caps and screws, 2 pc.
42.8600.22	Wall mount



Spare parts for hose trolleys

Spare parts for GEKA® plus P80 hose trolleys

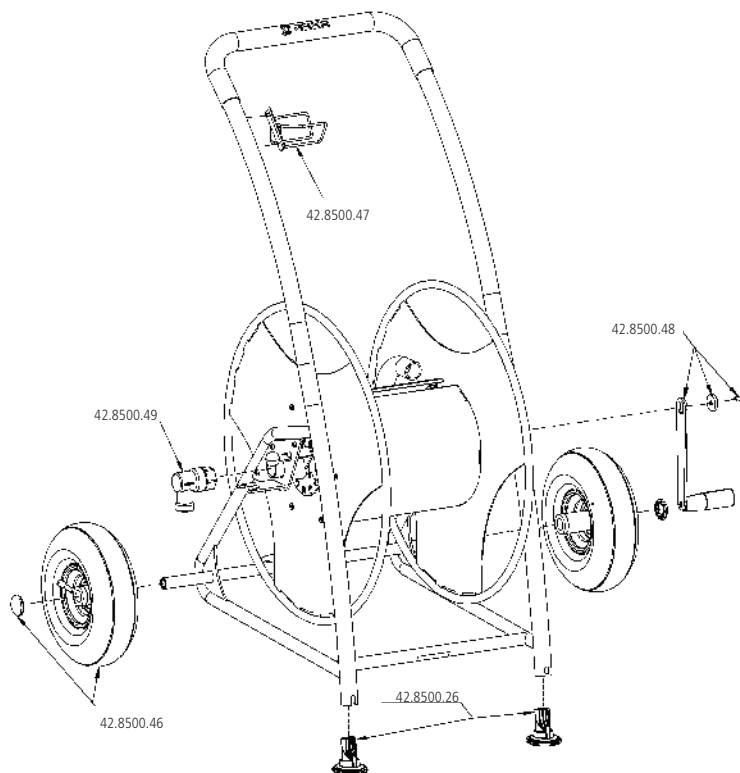
For Item no. 42.8503.9



Item no.	Designation
42.8500.26	Feet, 2 pc.
42.8500.46	Wheel 260x85 with wheel cap
42.8500.47	Accessories holder, metal
42.8500.48	Crank set
42.8500.49	Rotary fitting 1" brass

Spare parts for GEKA® plus P125 hose trolleys

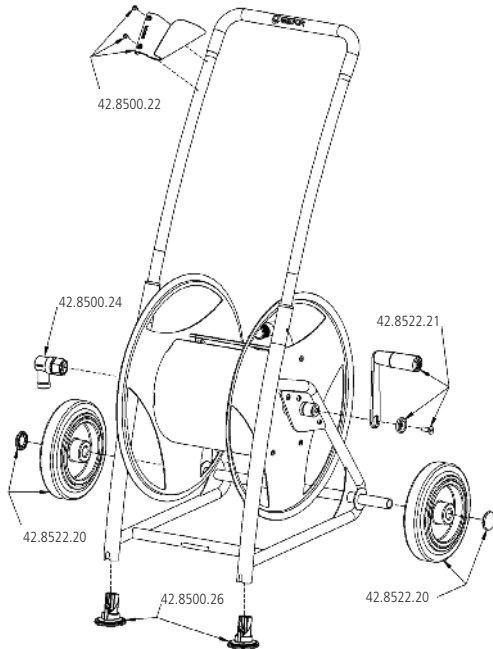
For Item no. 42.8504.9



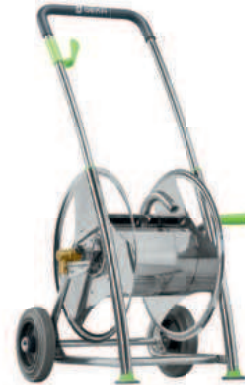
Item no.	Designation
42.8500.26	Feet, 2 pc.
42.8500.46	Wheel 260x85 with wheel cap
42.8500.47	Accessories holder, metal
42.8500.48	Crank set
42.8500.49	Rotary fitting 1" brass

Spare parts for hose trolleys, hose cardboard boxes and hose reels

Spare parts for GEKA® plus CS40 hose trolleys

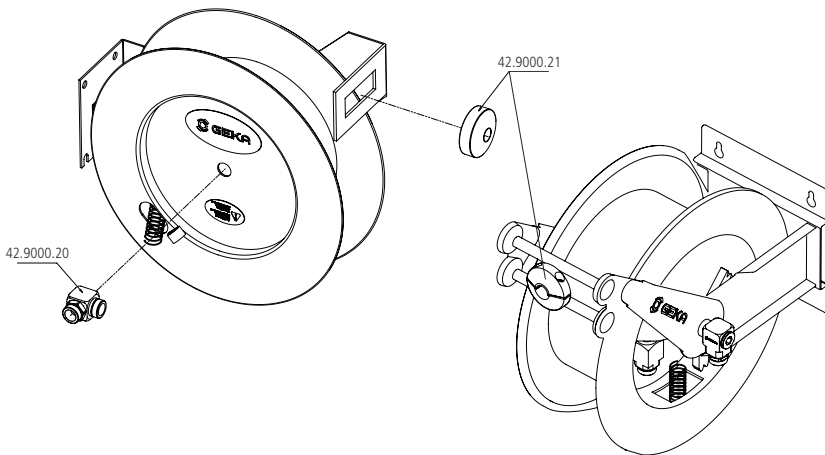


For Item no. 42.8522.9



Item no.	Designation
42.8500.22	Accessories holder, plastic
42.8500.24	Rotary fitting 3/4" brass
42.8500.26	Feet, 2 pc.
42.8522.20	Wheel 200x48 solid rubber with wheel cap
42.8522.21	Crank set, stainless steel

Spare parts for GEKA® plus autom. hose reels PA20, PA20SK, PA20GSK, PA30, PA30SK and PA30GSK



For Item no. 42.9000.9 42.9020.9
42.9010.9 42.9030.9
42.9011.9 42.9031.9



Item no.	Designation
42.9000.20	90° angled rotary fitting 1"
42.9000.21	Hose stopper for 3/4" hoses



Spare parts for GEKA® automatic wall-mounted hose cardboard box K12



For Item no. 42.8900.9



Item no.	Designation
42.8910.9	Insert rail with dowels and screws



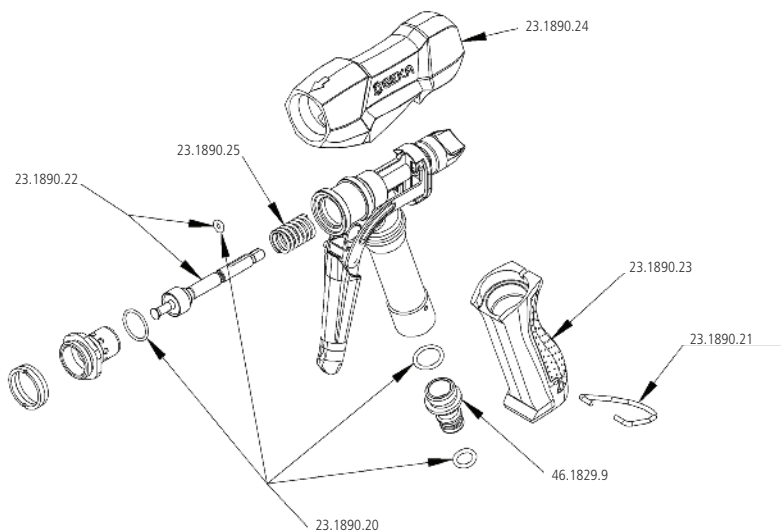
Spare parts for cleaning guns

Spare parts for GEKA® plus professional cleaning guns

For Item no. 23.1890.9, 46.7880.8



Item no.	Designation
46.1829.9	Device plug drinking water
23.1890.20	O-ring set KTW/DVGW
23.1890.21	Clip
23.1890.22	Valve insert
23.1890.23	Handle cover
23.1890.24	Housing cover
23.1890.25	Compression spring

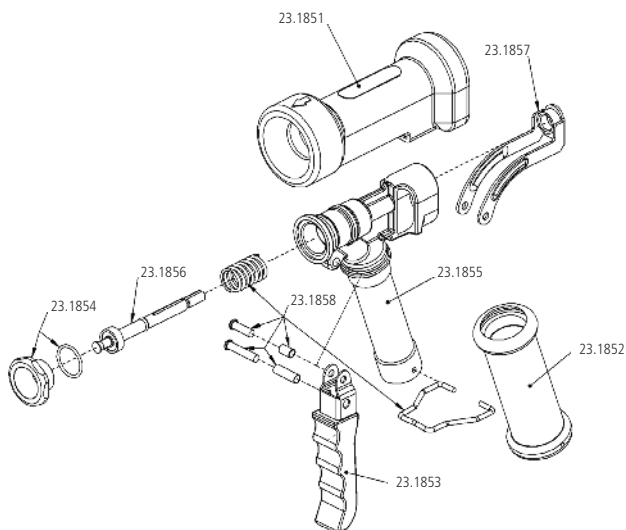


Spare parts for professional cleaning guns

For Item no. 23.1850



Item no.	Designation
23.1851	Rubber cover, top
23.1852	Rubber cover, handle
23.1853	Rubber handle
23.1854	Nozzle insert
23.1855	Housing
23.1856	Valve insert
23.1857	Valve cover with adjusting screw
23.1858	Valve spring, bolt, clamp



Spare parts for GEKA® cleaning guns

For Item no. 46.7002.8



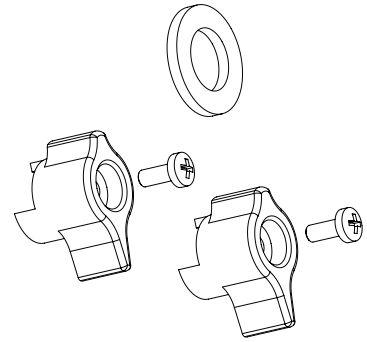
Item no.	Designation
23.1846	Connection nipple male thread G1/2

Spare parts for GEKA® plus push-fit system

NEW

Spare parts for GEKA® plus push-fit system

For Item no. 33.5331, 46.0431, 46.0432, 46.0433, 46.0434,
46.0435, 33.5331



Item no.	Designation
46.0440.8	Spare parts set lever and flat seal

